

TD-106-1 Rev No. 5	Form No.		PRODUCT STANDARD PULVERISERS HYDERABAD	Product STD NO.	BA89040
				Rev No. 00	
				Page 1 of 6	

HYDROCYCLONE CLUSTER WITH VALVES AND HEADERS FOR WET BALL MILLING SYSTEM

PROJECT: NTPL TUTICORIN 15 TPH WET BALL MILL

Application:

Hydro cyclone cluster assembly for classifying slurry of Wet ball mill in Flue Gas Desulphurisation application. FGD absorber lime stone slurry with fineness upto 90% thru 325 mesh.

The limestone slurry (feed) is fed to hydrocyclone by a slurry pump. Overflow from hydrocyclone shall be fed to mill circuit tank or limestone storage tank by gravity. Underflow shall be fed to ball mill for further grinding.

Description of Hydrocyclone system:

1. Hydrocyclone:

- a. It shall be of modular construction made of carbon steel with rubber lining (for all wetted surfaces)
- b. Cone angle shall not be larger than 20 degree
- c. Minimum operating pressure maintained at feed section of hydrocyclone is 150 kPa
- d. Feed and overflow shall have flange connections.
- e. Feed connection shall have individual isolating valve
- f. Hydrocyclone system shall have sufficient redundancy. A minimum of 10% spare hydrocyclones shall be provided
- g. Lining shall have a minimum wear life of not less than 8000 hrs without reversal.
- h. Apex nozzle shall be of ceramic make.

2. Manifold system

- a. Provision of replacement or removal of individual hydrocyclone when the cluster is in service.
- b. Individual isolation valve shall be provided for each hydrocyclone for that purpose
- c. The manifold system with the feed distributor should be such that it results in an even slurry flow, pressure, density and particle distribution.

COPYRIGHT AND CONFIDENTIAL
 The information on this document is the property of BHARAT HEAVY ELECTRICALS LIMITED,
 It must not be used directly or indirectly in any way detrimental to the interest of the company.

Prepared by	Checked by	Approved by
Manivas	Aman	KHRK

TD-106-1 Rev No. 5	Form No.		PRODUCT STANDARD PULVERISERS HYDERABAD	Product STD NO.	BA89040
				Rev No. 00	
				Page 2 of 6	

COPYRIGHT AND CONFIDENTIAL
 The information on this document is the property of BHARAT HEAVY ELECTRICALS LIMITED,
 It must not be used directly or indirectly in any way detrimental to the interest of the company.

- d. A local pressure gauge and transmitter with diaphragm seal and capillary shall be provided for monitoring and operating of the feed distributor pressure
- e. Pressure head loss in distribution of slurry by feed distributor to individual cyclones should be minimum.
- f. Feed distributor in hydrocyclone system shall be provided with replaceable rubber lining with thickness greater than 12 mm.

3. Overflow and Underflow launders

- a. Over flow and underflow launder shall be provided with replaceable rubber lining with thickness greater than 12 mm
- b. Piping downstream to the underflow and overflow launders shall be flange connected.
- c. The underflow and overflow launder discharge pipe velocity shall be less than 2.5 m/s

Scope:

- a. Hydrocyclones along with piping, control valves on input, underflow and overflow lines along with inlet header, underflow launder (to mill for recirculation) & overflow launder (final output). Fixture or frame for installing entire assembly.
- b. All fasteners (anchor bolts, nuts washers etc) will be in vendor scope. Mounting details shall be shared along with offer.
- c. Vendor should furnish the list of recommended commissioning / operational spares list along with prices.
- d. GA drawings along with offer
- e. Supervision for commissioning, shall be of 7 mandays. This amount will be paid on receipt of site certification for completion of activity.

Inputs:

Hydro cyclone should handle wet limestone slurry with density upto 1.83 T/m³.

Recirculation ratio of wet ball milling circuit is 353%.

Below are the hydro cyclone input (feed) parameters for 15 TPH wet ball milling system

Prepared by	Checked by	Approved by
Manivas	Aman	KHRK





PRODUCT STANDARD

PULVERISERS

HYDERABAD

Product
STD NO.

BA89040

Rev No. 00

Page 3 of 6

S No	Description	Value
1	Mass flow rate	123.6 TPH
2	Flow rate	80.76 m ³ /hr
3	Specific density	1.53 T/m ³
4	% of solids by mass	55%
5	Mass flow rate of solids	68 TPH
6	Inlet Pressure	101 kPa

Below are the desired hydro cyclone output parameters (overflow) for 15 TPH wet ball milling system

S No	Description	Value
1	Mass flow rate	49.8 TPH
2	Flow rate	40.56 m ³ /hr
3	Specific density	1.23 T/m ³
4	% of solids by mass	30%
5	Mass flow rate of solids	17 TPH
6	Particle size distribution (overflow)	90% thru 325 mesh (44 micron)

Pump will take input slurry from mill agitator tank and it will pump it to hydro cyclone cluster which will be at an elevation of 33 m.

D1: Nominal diameter of hydro cyclone inlet

D2: Apex diameter size

D3: Vortex or cut size

D4: Diameter of cylindrical portion

H1: Height of cylindrical portion

H2: Height of conical portion

H3: Vertical height between vortex bottom and cyclone inlet

B1: Radius of hydro cyclone inlet

Vendor to specify the following details

- Vendor to provide provision for fitting pressure gauge / pressure transmitter for hydrocyclone input line.
- Material of construction for hydro cyclone.
- Liner material and thickness for hydro cyclone (also specify the running hours) in feed chamber, apex stopper, cone casing, under flow pipe, overflow pipe

COPYRIGHT AND CONFIDENTIAL

The information on this document is the property of BHARAT HEAVY ELECTRICALS LIMITED, It must not be used directly or indirectly in any way detrimental to the interest of the company.

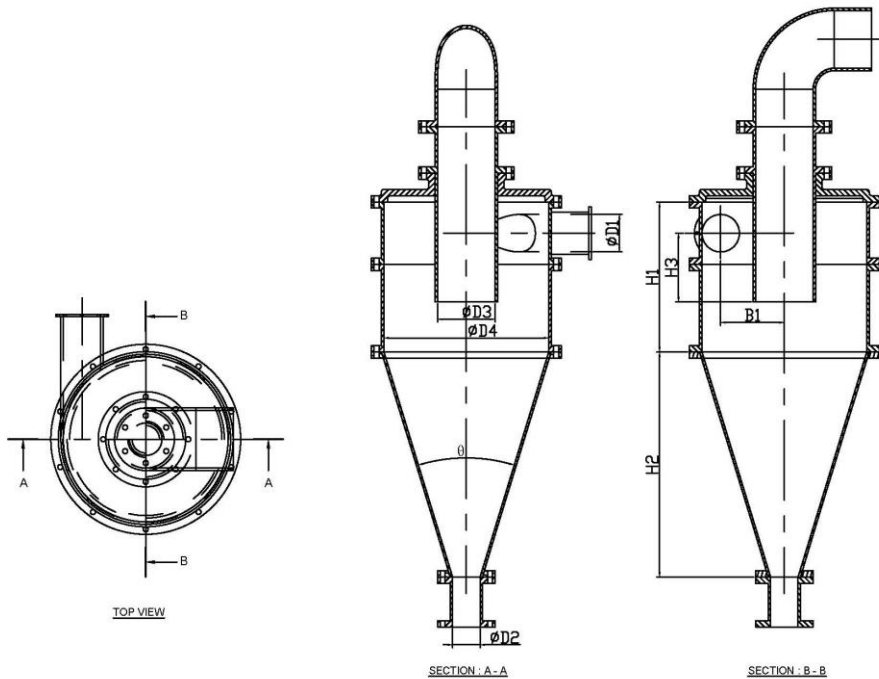
Prepared by	Checked by	Approved by
Manivas	Aman	KHRK



**PRODUCT STANDARD
PULVERISERS
HYDERABAD**

4. No of hydro cyclones in cluster.
5. Flow capacity of each hydro cyclone in m³/hr
6. Dimensions as per above schematic
7. No of spare hydro cyclones in each cluster
8. Rated pressure drop at rated capacity in mmWC
9. Design pressure
10. Minimum feed pressure
11. Particle size vs Weight% to underflow curve
12. Cut size or vortex size (D₃)

Typical hydro cyclone sections



Inspection and Testing requirements:

Inspection and quality shall be done as per BHEL / customer approved quality plan.

Packing:

COPYRIGHT AND CONFIDENTIAL
 The information on this document is the property of BHARAT HEAVY ELECTRICALS LIMITED,
 It must not be used directly or indirectly in any way detrimental to the interest of the company.

Prepared by Manivas	Checked by Aman	Approved by KHRK
-------------------------------	---------------------------	----------------------------



TD-106-1 Rev No. 5	Form No.		PRODUCT STANDARD PULVERISERS HYDERABAD		Product STD NO.	BA89040	
			Rev No. 00				
			Page 5 of 6				

- a. The hydrocyclone system shall be packed in closed wooden cases to prevent damages during transit and storage.
- b. The flange openings shall be protected properly to prevent entry of foreign matter.
- c. Rain water should not enter into the materials during storage in the outer yard of the installation site.

Painting:

Painting shall be done as per BHEL / customer approved painting schedule.

Mandatory Spares Annexure:

S No	Description	Quantity
i)	Hydrocyclones	1 Set
ii)	Feed vessel	1Set
iii)	Lining for vessel	1 Set
iv)	Complete vessel assembly	1 No.
v)	Valves	1 Nos. of each type & size
vi)	Pressure gauge	1 Nos.
vii)	Measuring nozzle	1 Set
viii)	Flanges for cycles	1 Set
ix)	Over flow & underflow pipes	1 Set
x)	Filters	1 Set
xi)	Vortex finder and apex inserts	1 Set

COPYRIGHT AND CONFIDENTIAL
 The information on this document is the property of BHARAT HEAVY ELECTRICALS LIMITED,
 It must not be used directly or indirectly in any way detrimental to the interest of the company.

Prepared by	Checked by	Approved by
Manivas	Aman	KHRK



PRODUCT STANDARD

PULVERISERS HYDERABAD

Product
STD NO.

BA89040

Rev No. 00

Page 6 of 6

MATERIAL CODES

VAR. NO	DESCRIPTION	MATERIAL CODE
00	Hydro Cyclone Assy 15 TPH WBM	BA9789040008
01	Hydro Cyclone 15tph WBM Mand Spares	BA9789040016
02	HYDROCYCLONES FOR 15 TPH WBM HC	BA9789040024
03	FEED VESSEL FOR 15 TPH WBM HC	BA9789040032
04	LINING FOR VESSEL FOR 15 TPH WBM HC	BA9789040040
05	COMPLETE VESSEL ASSEMBLY FOR 15 TPH WBM	BA9789040059
06	VALVES FOR 15 TPH WBM HC	BA9789040067
07	PRESSURE GAUGE FOR 15 TPH WBM HC	BA9789040075
08	MEASURING NOZZLE FOR 15 TPH WBM HC	BA9789040083
09	FLANGES FOR CYCLES FOR 15 TPH WBM HC	BA9789040091
10	OVER FLOW&UNDERFLOW PIPES 15TPH WBM HC	BA9789040105
11	FILTERS FOR 15 TPH WBM HC	BA9789040113
12	VORTEX FINDER APEX INSERTS 15TPH WBM HC	BA9789040121

RECORD OF REVISIONS

REV. NO	DATE	REVISION DETAILS	REVISED	APPROVED

COPYRIGHT AND CONFIDENTIAL
 The information on this document is the property of BHARAT HEAVY ELECTRICALS LIMITED,
 It must not be used directly or indirectly in any way detrimental to the interest of the company.

Prepared by
Manivas

Checked by
Aman

Approved by
KHRK