



BHARAT HEAVY ELECTRICALS LIMITED
HEEP: HARDWAR-249 403 (UA)
Fax: 01334-226462, Phone: 01334-28-5021
E-mail : saurabhv@bhelhwr.co.in

Due Date: 27/01/2022

Ref: PPX/EM/EOI/20-21/EQUALIZING VALVE

Notice Inviting Expression of Interest for empanelment of New Vendors

The Heavy Electrical Equipment Plant (HEEP) located in Haridwar, is one of the major manufacturing plants of BHEL. The core business of HEEP includes design and manufacture of large steam and gas turbines, turbo generators, hydro turbines and generators and so on. We are looking for reputed Vendors having capability to supply equalizing valve used in the double flow seal oil system for hydrogen cooled generators. Equalizing Valve is utilized for maintaining the constant differential pressure between the air side and the hydrogen side oil. The air side and hydrogen side seal oil pressures act in opposite directions and the valve stem is moved upwards or downwards when these pressures are unbalanced. Setting of the desired differential pressure to be maintained by the valve is done by a corresponding pre-loading of the control piston. The valve should be of very reliable and proven design to maintain the required seal oil parameters under all conditions, so that hydrogen gas cannot escape from the generator casing.

The specification of these items may be obtained from BHEL after submission of Ink Signed Non-Disclosure Agreement (Annexure-2 - Indigenous vendors, Annexure-3 – Foreign vendors). The Non-Disclosure Agreement is to be submitted to the following person (s) for obtaining Specifications:

Contact Person 1:

Mr. Rajpal Singh
Designation: Manager (PPX/EM)
Email ID: rajpal@bhel.in
Tel: +91 1334 28 1921

Contact Person 2:

Mr. Saurabh Verma
Designation: Sr. Engineer (PPX/EM)
Email ID: saurabhv@bhel.in
Tel: +91 1334 28 5021

The offers received will be technically evaluated by BHEL & successful short listed parties will be asked to submit their detailed Techno-Commercial offers through formal NIT/Enquiry, for our future requirements. Vendors shall confirm that there is no deviation with respect to BHEL Specifications. However, deviations, if any, are to be listed as a separate attachment. The offers that do not meet the substantial requirements of our specifications are liable to be ignored. **Following documents are to be necessarily filled and submitted along with the technical offer:**

1. Details/ Documents in support of Pre-Qualification Requirement (Annexure-1 & 2, Page-3-4)
2. Non-Disclosure Agreement / Framework Confidentiality Agreement cum Undertaking (Annexure-E).
3. Supplier/Vendor Registration Form (for Indigenous/Foreign as applicable available at www.hwr.bhel.com)
4. Quality control documents / procedure.
5. Details of Manufacturing Facility
6. Company Profile.
7. Financial report of the company.
8. Past experience along with documentary proof.
9. Details such as technical features, experience details, product catalogue, reference list or any other relevant information.
10. List of equipment's manufactured in-house.
11. List of Bought Out items along with vendors list of each equipment's with experience details with respect to size rating and years of operation.



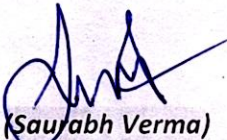
BHARAT HEAVY ELECTRICALS LIMITED
HEEP: HARDWAR-249 403 (UA)
Fax: 01334-226462, Phone: 01334-28-5021
E-mail : saurabhv@bhelhwr.co.in

Due Date: 27/01/2022

Only Technical BID along with the documents mentioned above should be sent & the envelope containing the offer shall be duly sealed and super scribed as "Technical Offer for (ITEM NAME) AGAINST Reference No. PPX/EM/EOI/20-21/EQUALIZING VALVE, SUBMITTED BY (Name of company)"

The last date for submission of Technical offers is 27.01.2022.

- Last date for downloading tender documents shall be 27.01.2022 till 13:45 Hrs (IST). The Technical Offers complete in all respect must be addressed to "Shri Ashish Jain, AGM (PPX/EM), 4th Floor, Tender Room, Main ADM Building, HEEP-BHEL, Haridwar-249403, Uttarakhand" and should reach before 1345 Hrs (IST) on 27.01.2022. Tenders will be opened on the same day at 1400Hrs (IST) in the Tender Room.
- Late offers will not be considered in any case. BHEL will not be responsible for any type of postal delay / incomplete information from vendor.
- EMD & Tender fee are not applicable.
- The Quotation should be from the Principle / Original Manufacturer, falling which the Quotation is likely to be ignored. In case the quotation is submitted through agent, the quotation must accompany original authorization letter from Principle / Original Manufacturer.
- Amendments / Corrigendum, if any, will be hosted on our website only.
- For any further clarifications, feel free to contact the undersigned or log on to www.bhel.com or www.bhelhwr.co.in or www.tenders.gov.in


(Saurabh Verma)
Sr. Engr.(PPX-EM)



ANNEXURE-1

PQR/EME/TG038/002

dt. 21.09.2021

Mandatory Pre-Qualification requirements for Equalising Valve
(W90414902572; 41493601061)

Description

The Equalizing Valve is used in the double flow seal oil system for hydrogen cooled generators. Equalizing Valve is utilized for maintaining the constant differential pressure between the air side and the hydrogen side oil. The air side and hydrogen side seal oil pressures act in opposite directions and the valve stem is moved upwards or downwards when these pressures are unbalanced. Setting of the desired differential pressure to be maintained by the valve is done by a corresponding pre-loading of the control piston. The valve should be of very reliable and proven design to maintain the required seal oil parameters under all conditions, so that hydrogen gas cannot escape from the generator casing.

Mandatory requirement for Pre-Qualification

1.0 Experience Requirement -

The Vendor should be a regular manufacturer or authorized dealer of such Equalizing valve. Vendor should have supplied at least Five (5) nos. Equalizing valve in last Five (5) years (from the date of issuance of enquiry) with following technical details -

Sl no.	Product features	Details
1.	Design Pressure	16 kg/cm2 & above
2.	Nominal Size	50NB & Above
3.	Differential pressure set range	0-50 mBar(Minimum)
4.	Flow rate	1.5 dm ³ /sec (minimum)
5.	Flow medium	Turbine oil grade ISO VG46 only.

In support of above, vendor to furnish information, as per the following format for previous supplied Equalizing valve meeting the above technical requirement for the past Five (5) years from the date of issuance of enquiry.

Sl. No.	Name & address of customer	Contact Details of the customer (email & phone number etc.)	Purchase order reference no.	Purchase order issue date	Design Pressure	Nominal Size	Flow Rate	Differential pressure set range	Flow medium

Vendor to submit the following documents as an evidence of acceptance of supplied Equalizing valve, for the above mentioned successfully executed order -

- Vendor to furnish copy of Un-Priced Purchase Orders executed for supply of at least 5 Nos. of Equalizing valves in last Five (5) years (from the date of issuance of enquiry).
- Vendor to furnish the test certificate for Hydraulic, Tightness test & functional test carried out on Equalizing valve for any one of the PO submitted. The submitted test certificates should have correlation with PO.
- Vendor to furnish final acceptance certificate of Equalizing valve (for supplied at least 5 Nos. of Equalizing valves in last Five (5) years) from End customer/Third Party for PO's submitted. Acceptance certificate should contain information like Item details, Quantity accepted and should also have correlation with PO reference no.

- In case of Authorised Distributor, vendor to furnish the Authorisation certificate from OEM (original equipment manufacturer).

Note - BHEL reserves the right to verify information submitted by vendor. In case the information is found to be false / incorrect, the offer shall be rejected.

Approved by:
Amit Mittal
(DGM-EME)

Checked By:
Manju Azad
(Sr. Mgr.-EME)

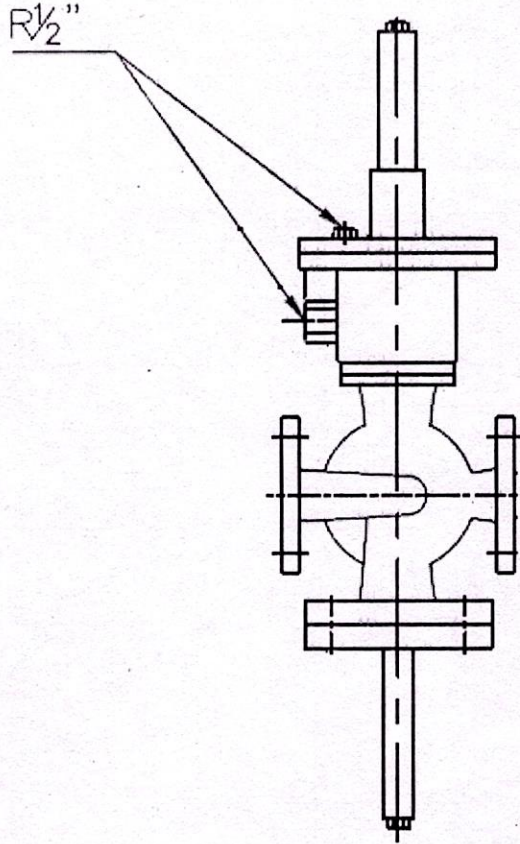
Prepared By:
Kunal Mishra
(Dy.Mgr.-EME)



BHARAT HEAVY ELECTRICALS LIMITED
HEEP: HARDWAR-249 403 (UA)
Fax: 01334-226462, Phone: 01334-28-5021
E-mail : saurabhv@bhelhwr.co.in

Due Date: 27/01/2022

ANNEXURE-2



NOMINAL PRESSURE: 16 BAR
TEST PRESSURE: 24BAR
BODY MATERIAL : GSC25
IMPULSE CONNECTIONS: R 1/2" INT. THREAD
FLOW RATE : 0-1.58 DM³/SEC.
MAX. PRESSURE DROP AT 1.58DM³/SEC: 2.5BAR
DIFF. PRESSURE RANGE : 0-50MBAR
TESTING AS PER MANUFACTURER STANDARD