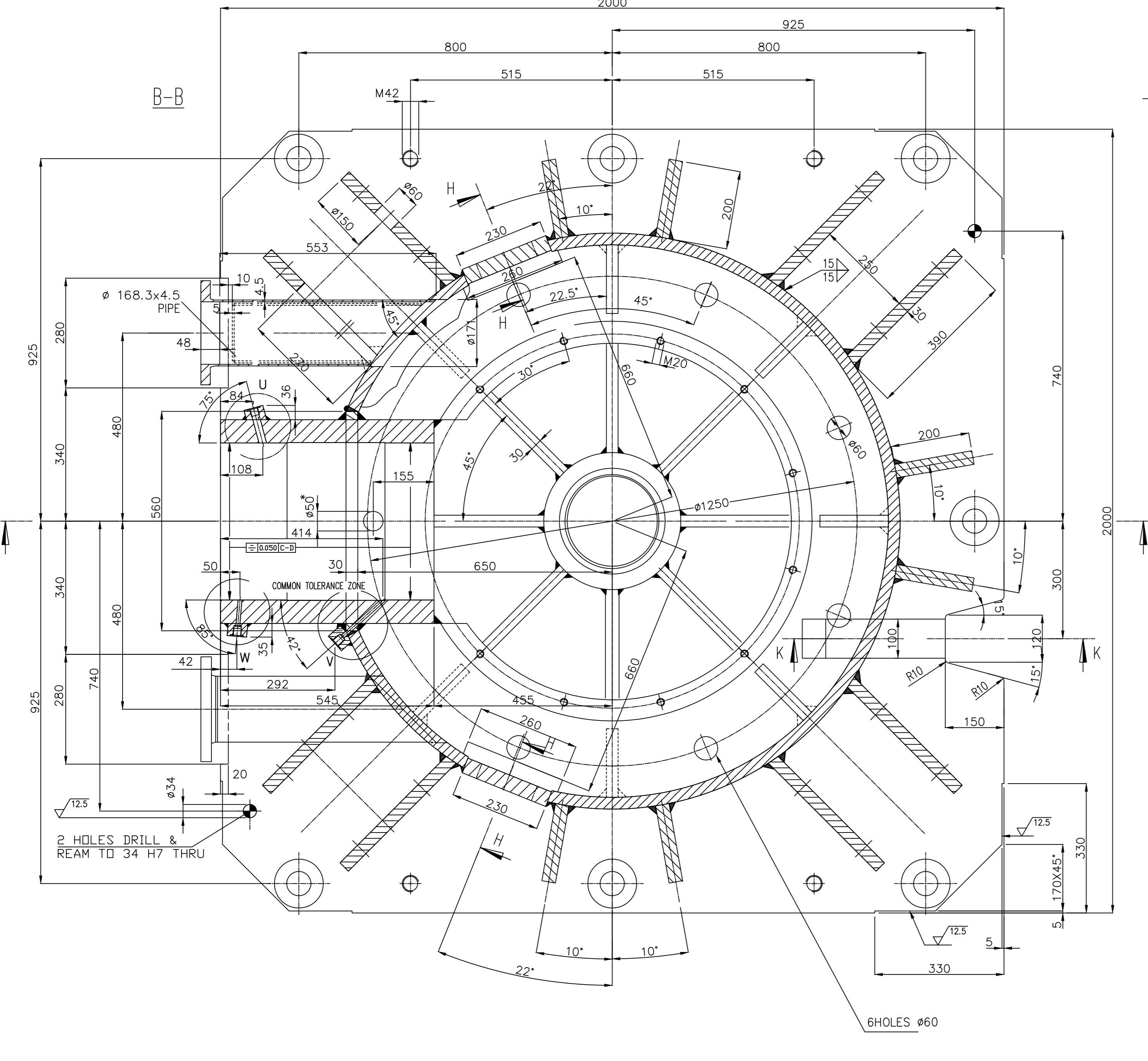
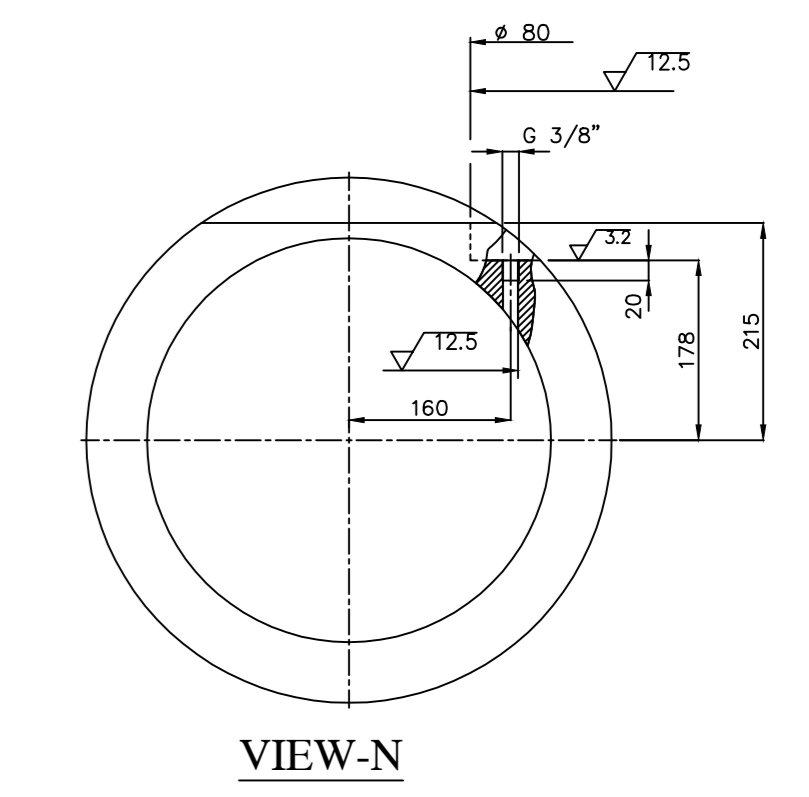
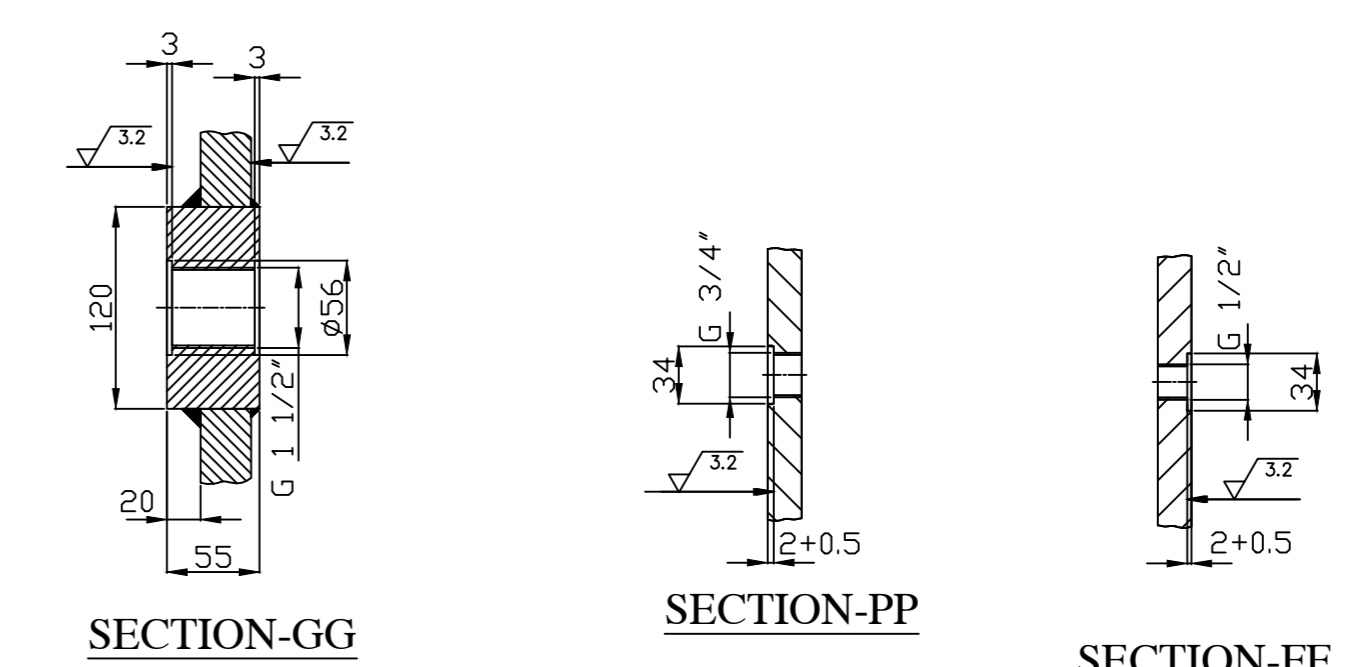
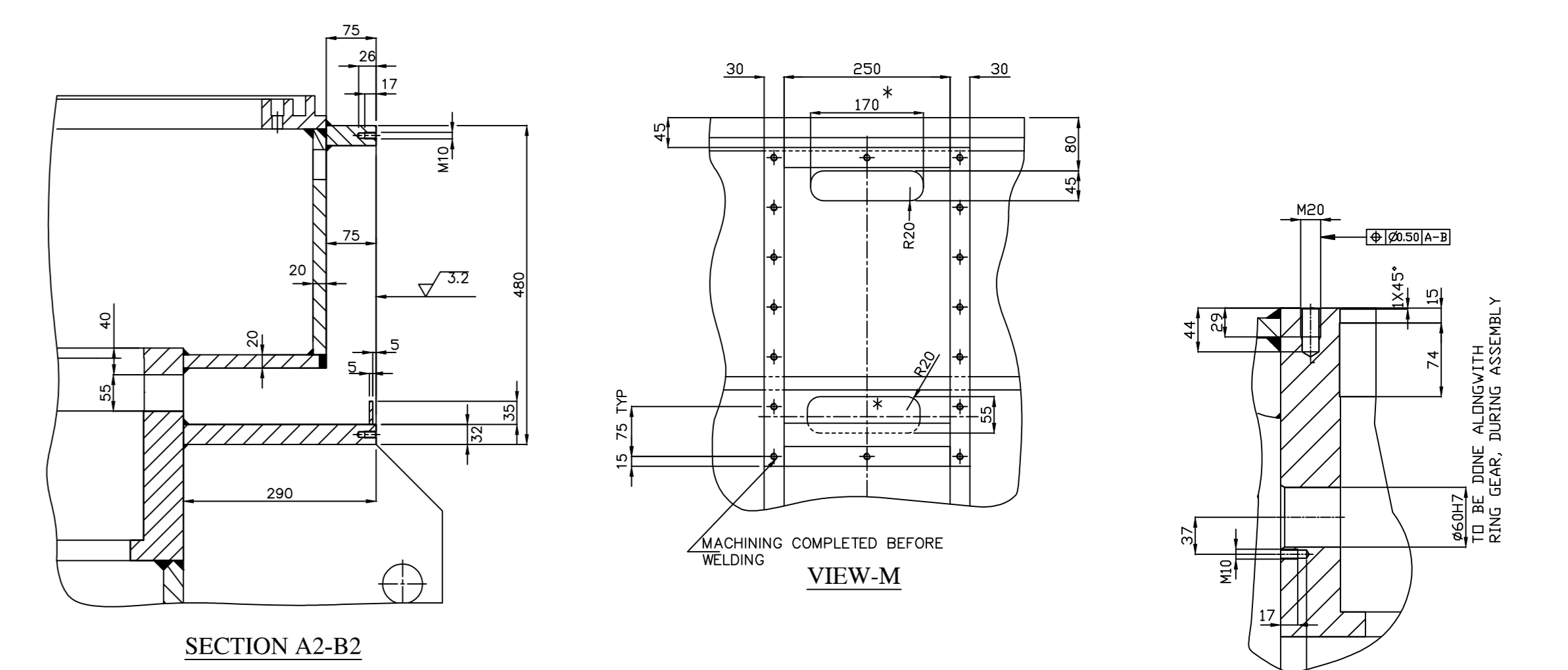
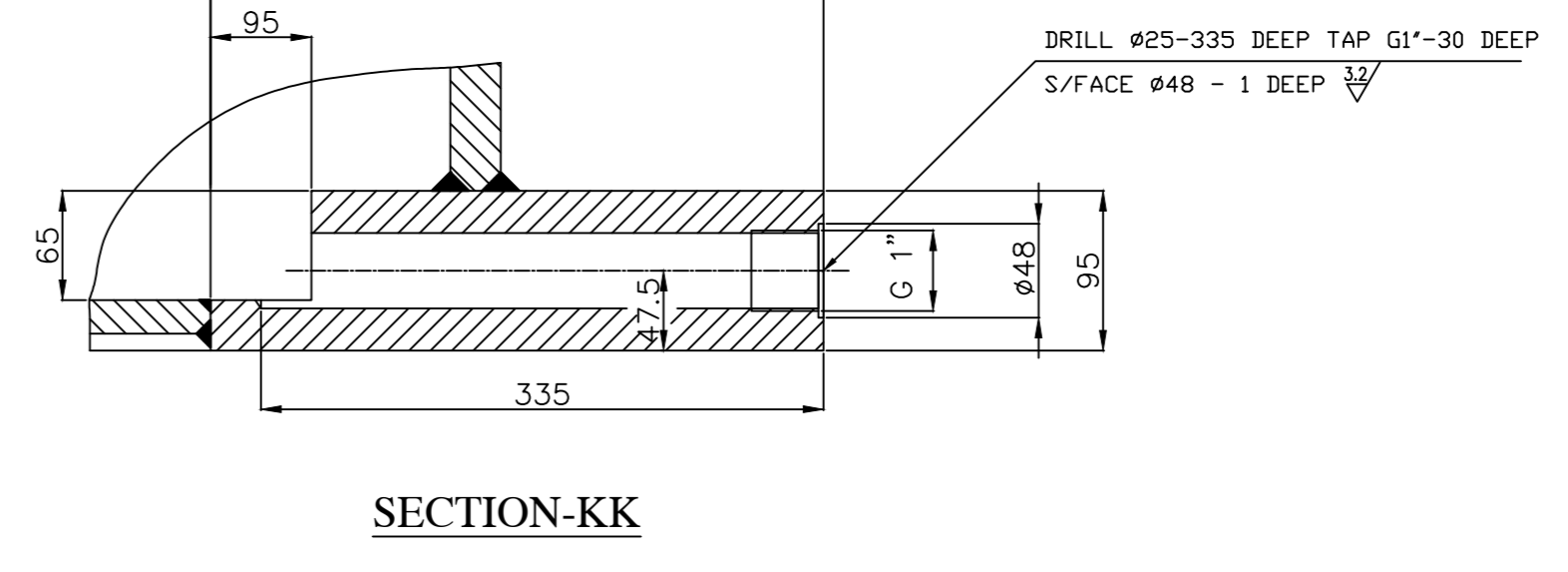
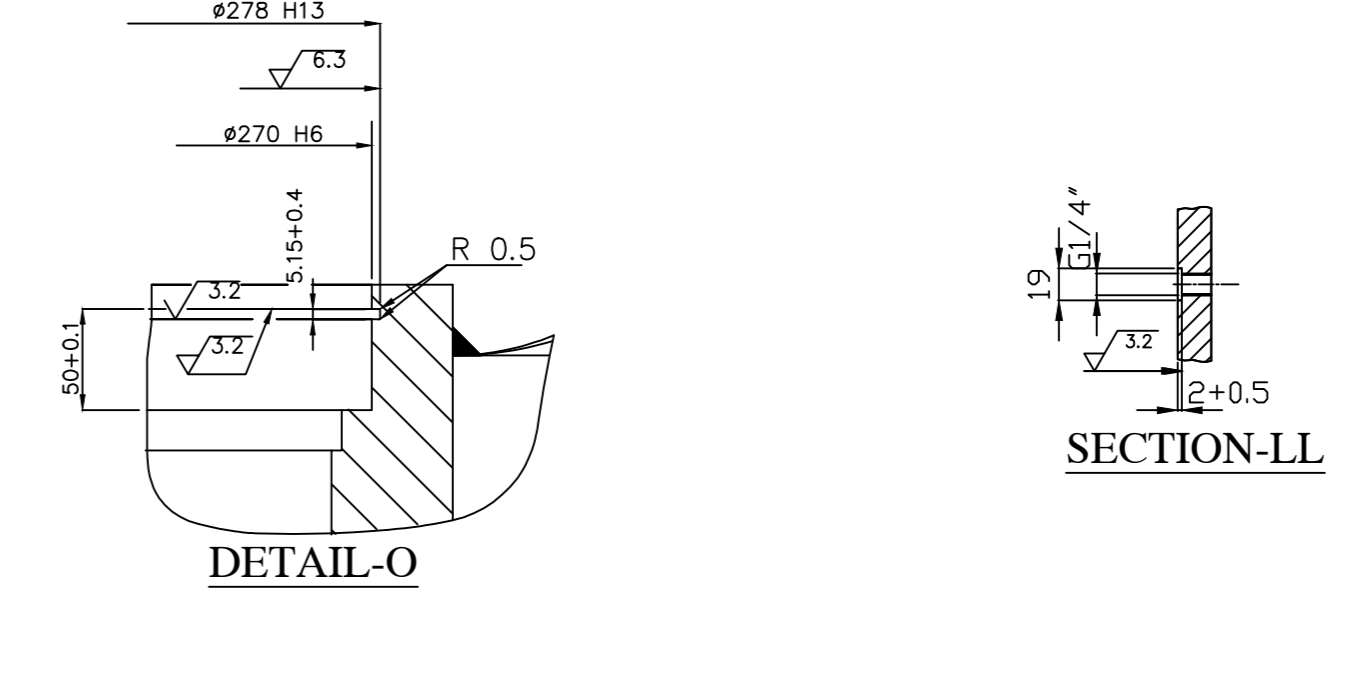
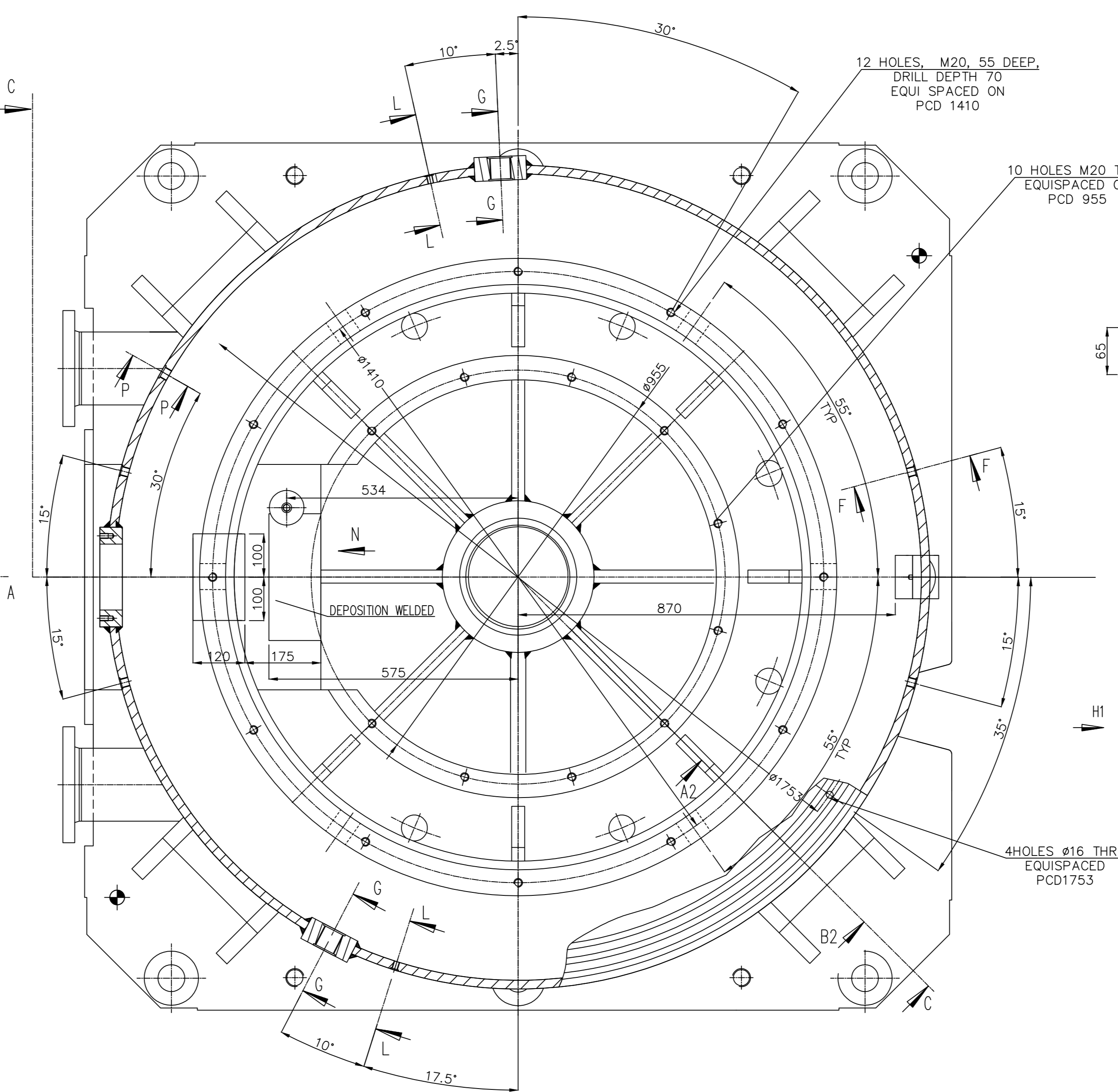


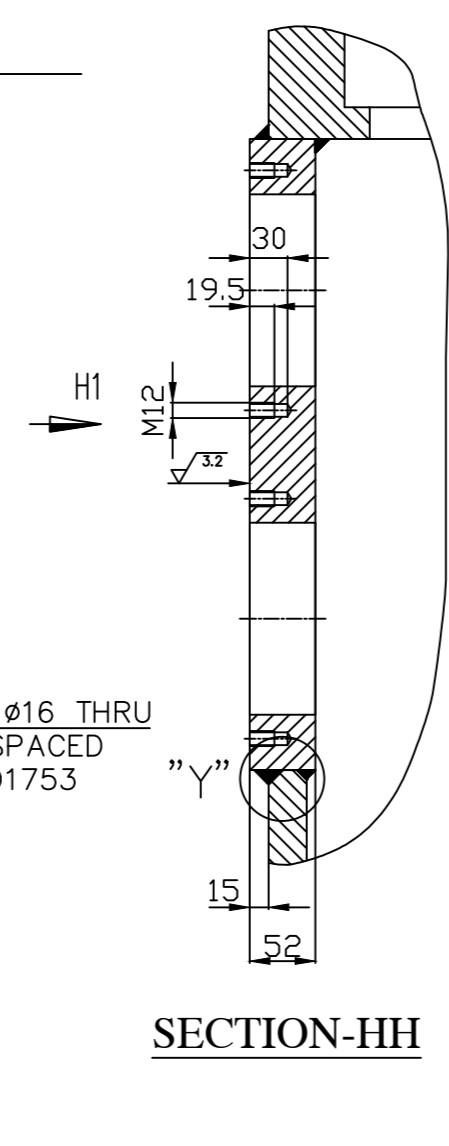
**SECTION-CC**



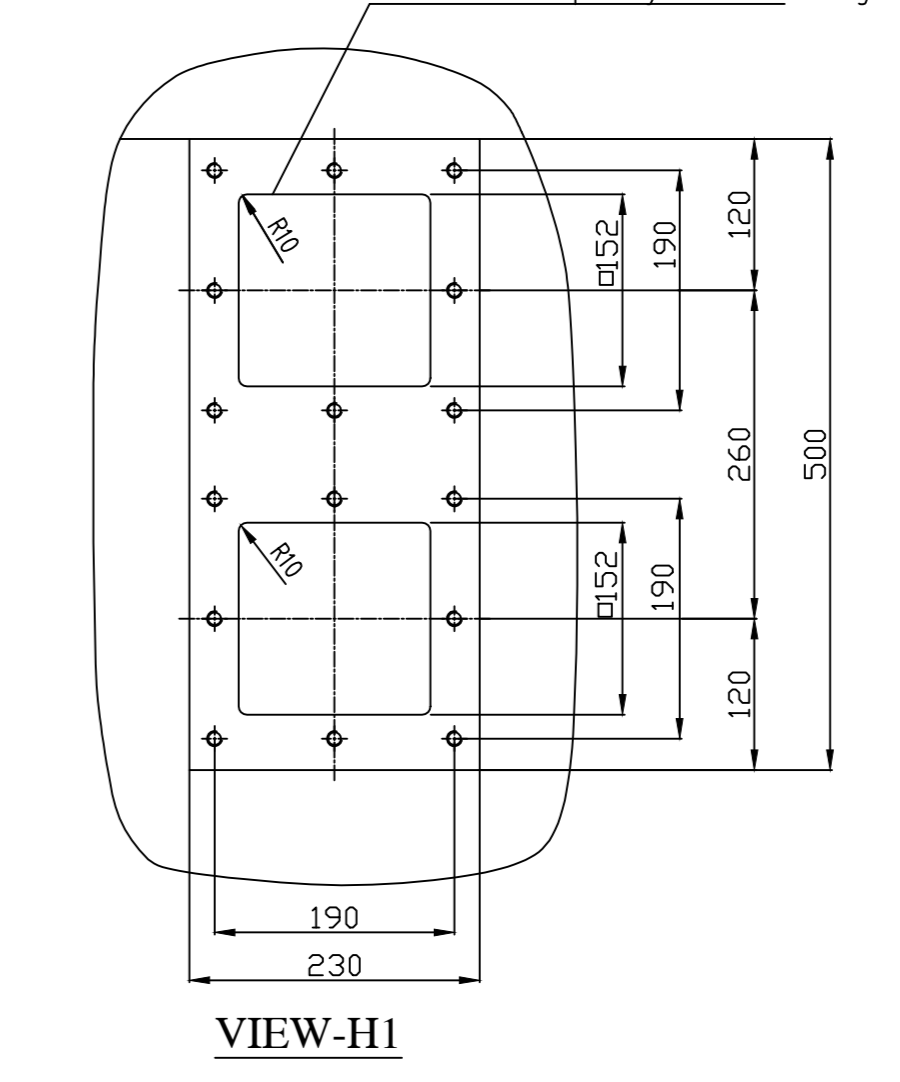
**SECTION-BB**



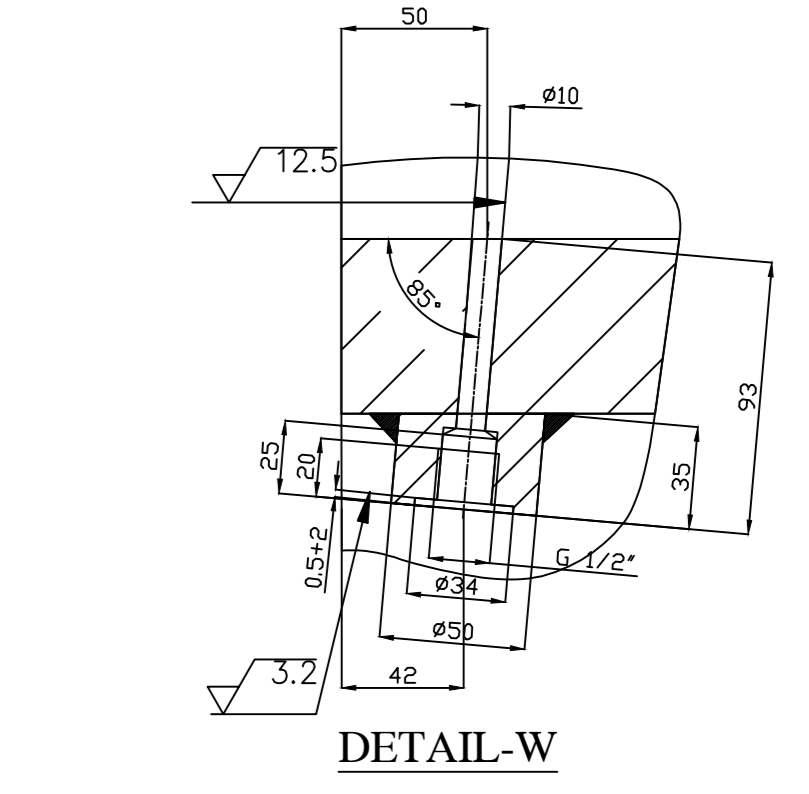
**SECTION-KK**



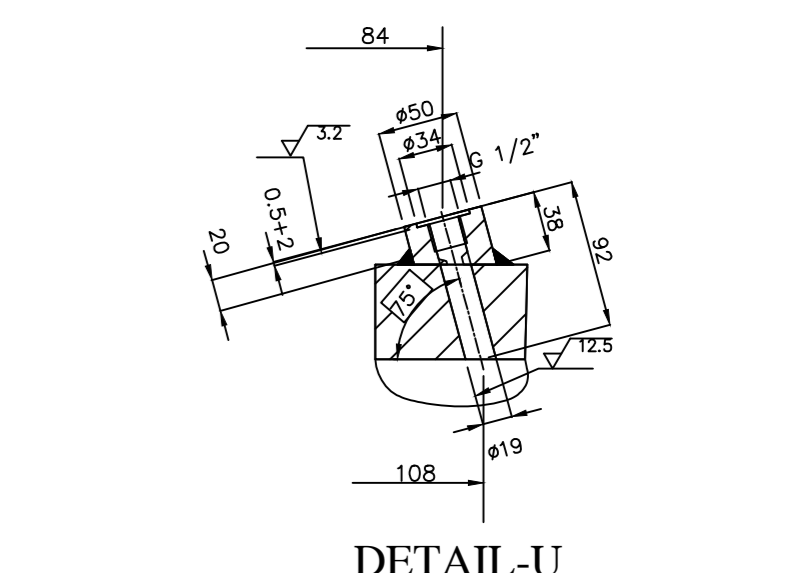
**SECTION-HH**



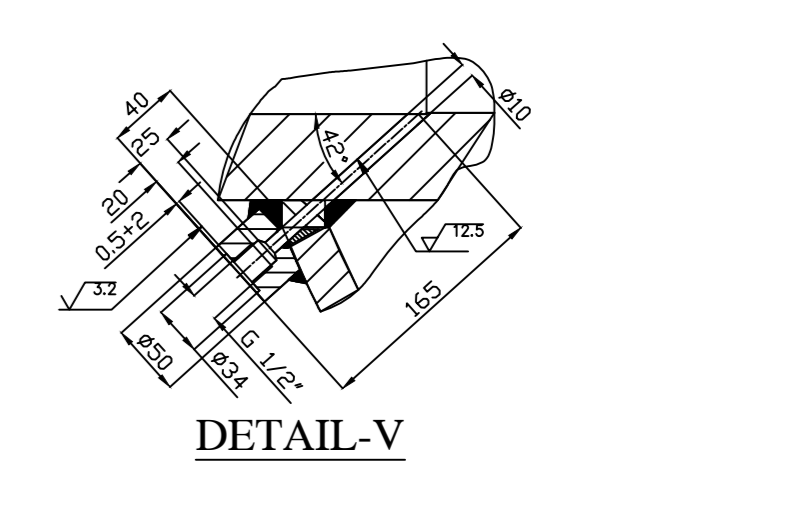
**VIEW-H1**



**DETAIL-W**



**DETAIL-U**



**DETAIL-V**

THE INFORMATION ON THIS DOCUMENT IS THE PROPERTY OF BHARAT HEAVY ELECTRICALS LIMITED. IT MUST NOT BE USED DIRECTLY OR INDIRECTLY IN ANY WAY DETRIMENTAL TO THE INTEREST OF THE COMPANY

REV.	DATE	ALTERED	CHECKED	APPROVED	REV.	DATE	ALTERED	CHECKED	APPROVED	REV.	DATE	ALTERED	CHECKED	APPROVED	REV.	DATE	ALTERED	CHECKED	APPROVED

1351 H7	+0.125
1350 H7	0
910 H7	+0.090
400 H7	+0.057
270 H6	+0.032
50 H7	+0.025

01	PGB HOUSING	DRAWING NO.	VAR. NO.	RAW MATERIAL SIZE OR CASTING DRG. NO. OR FORGING DRG. NO.	MATERIAL CODE	NET WT.	GROSS WT.

NAME	DATE	NO. OF REV.
SAGAR	03.06.09	
AMAN	03.06.09	
S.GHATGE	03.06.09	

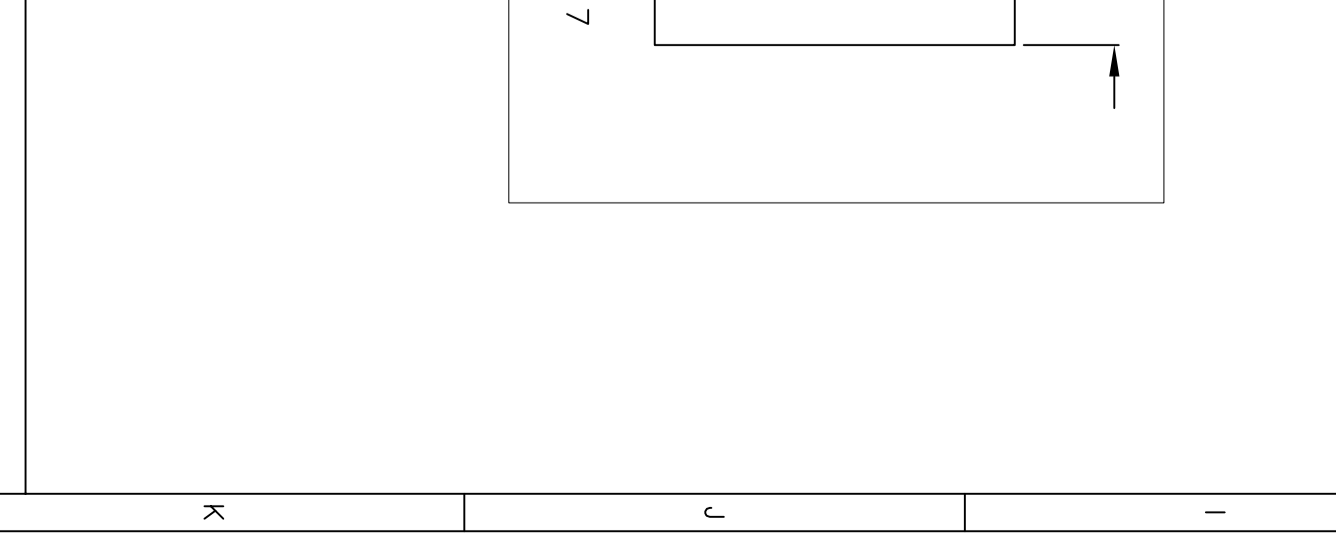
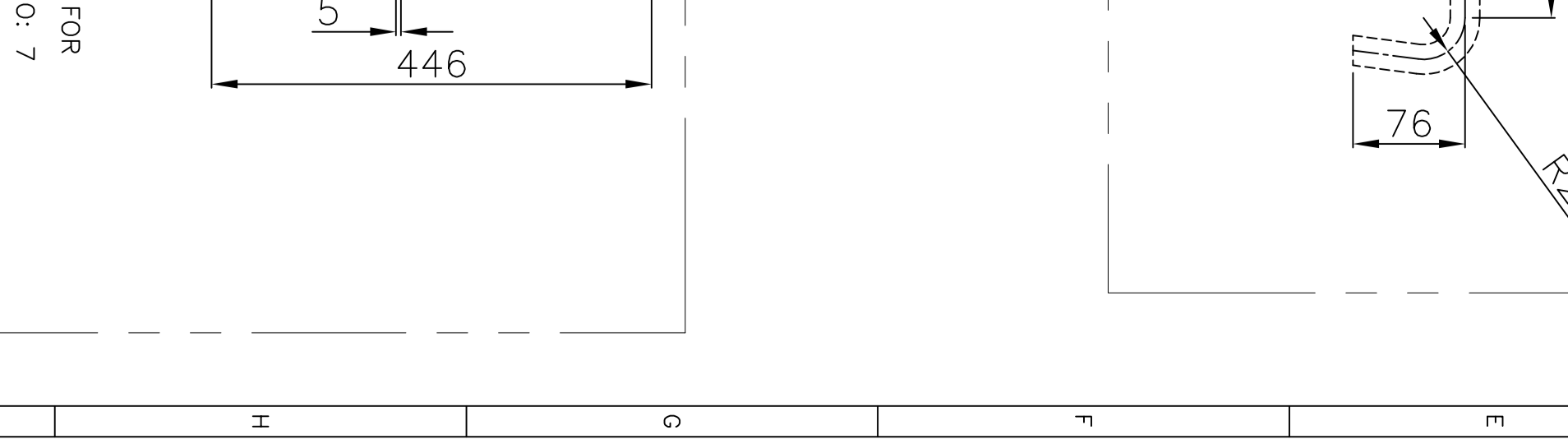
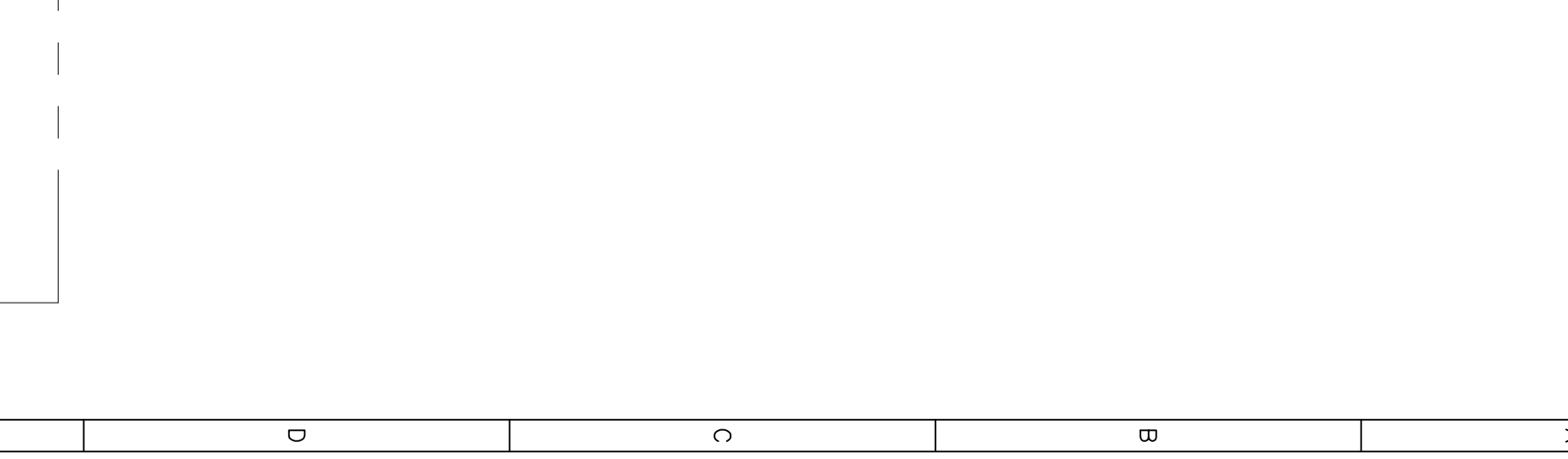
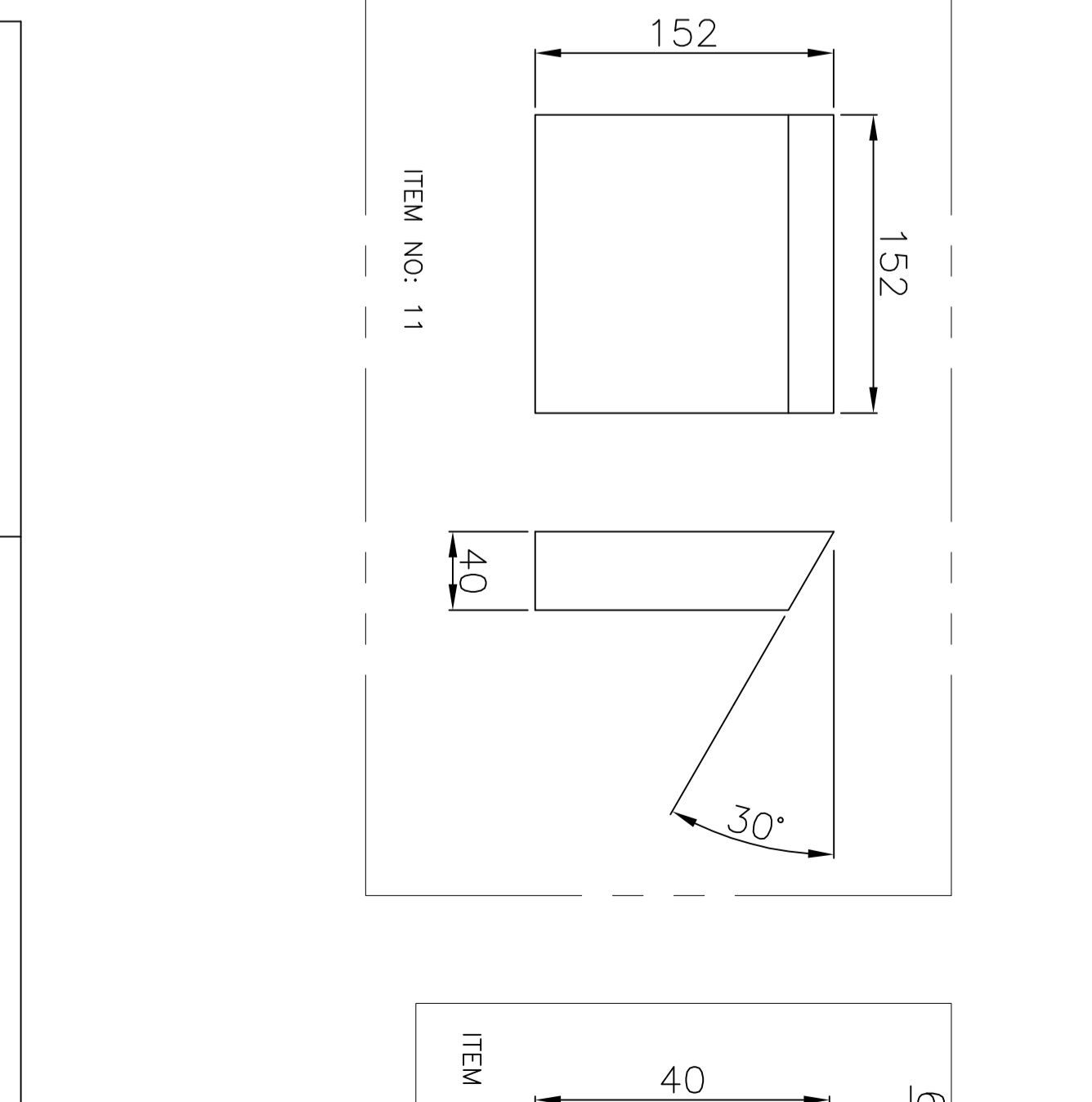
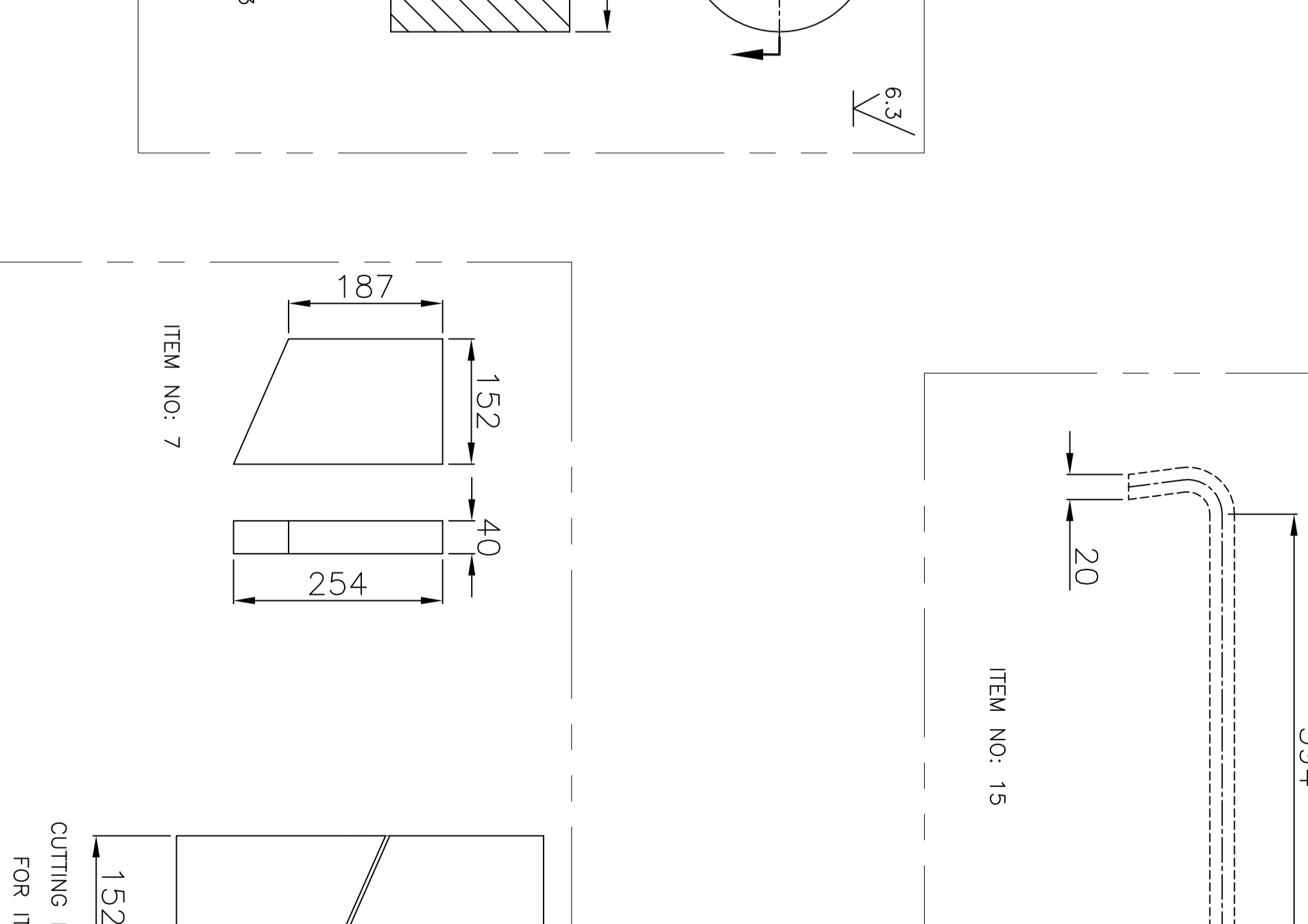
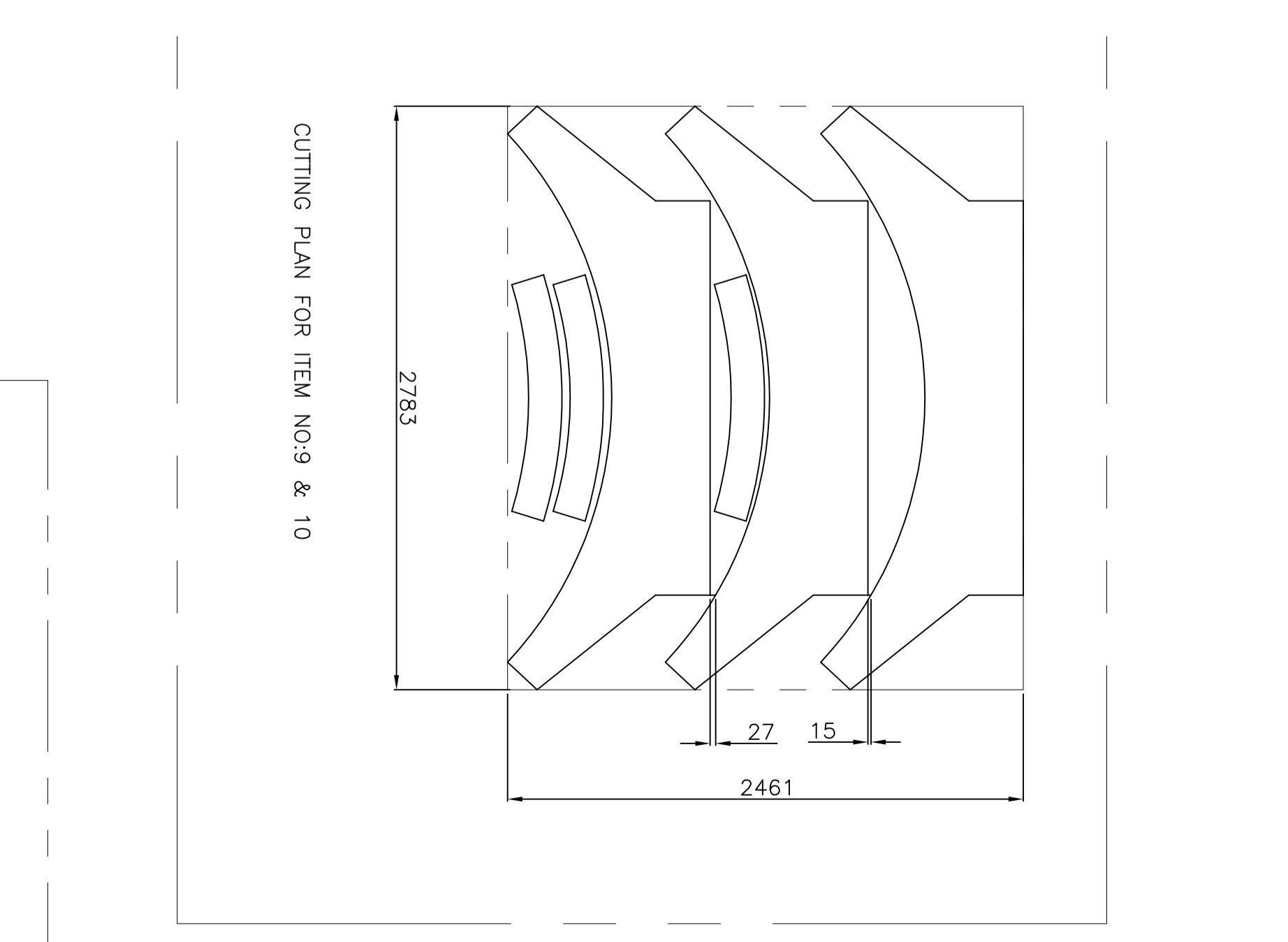
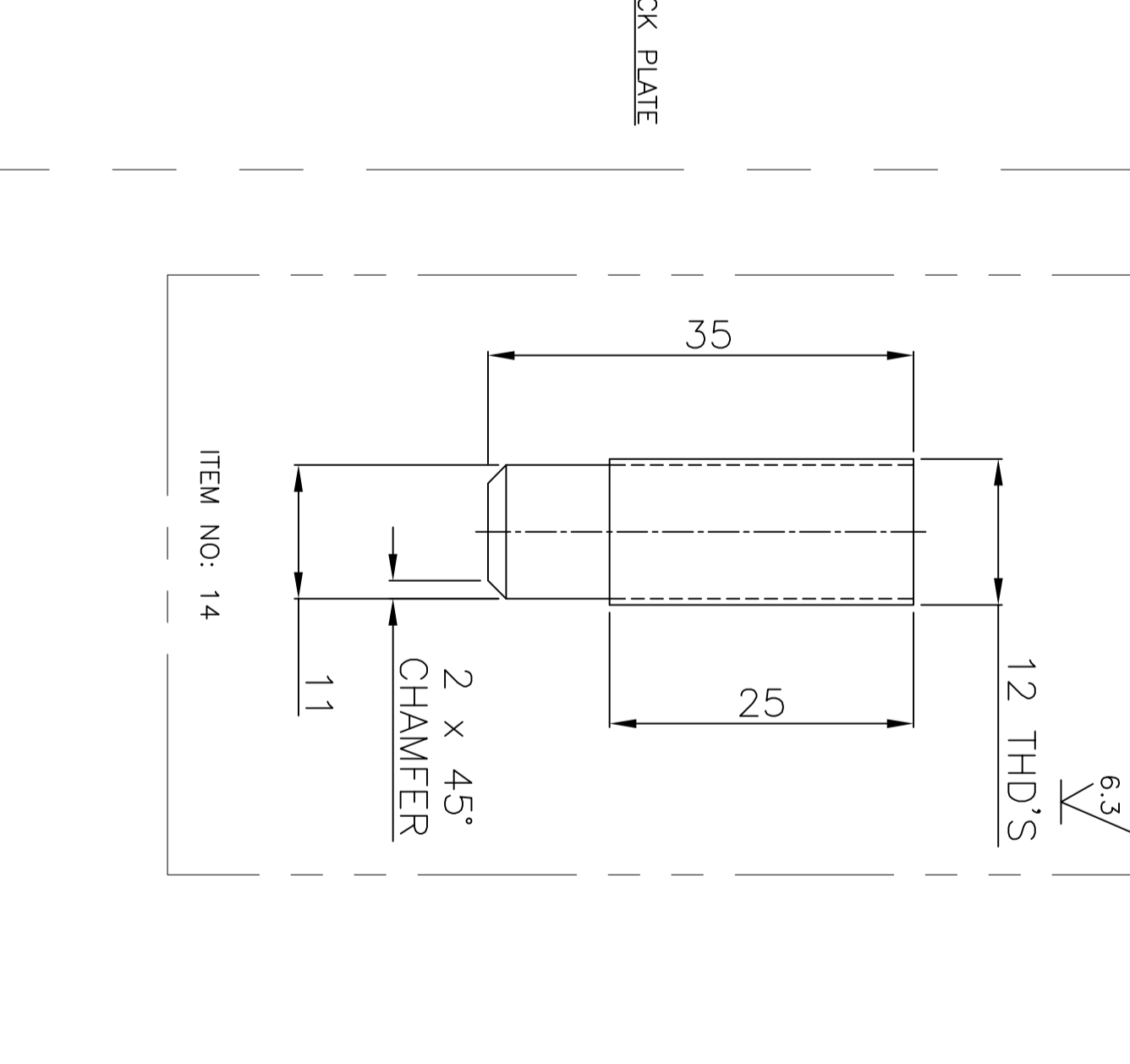
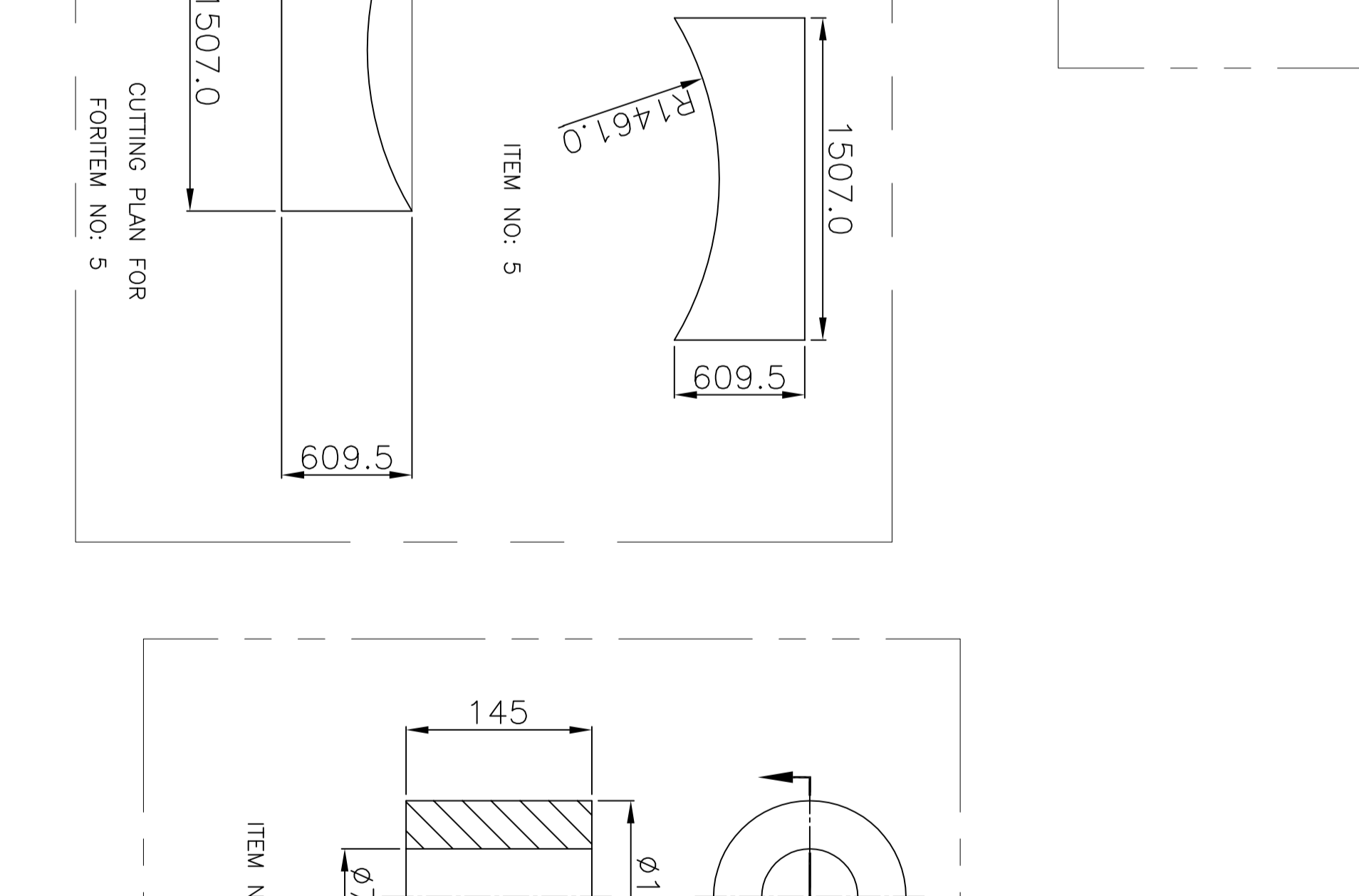
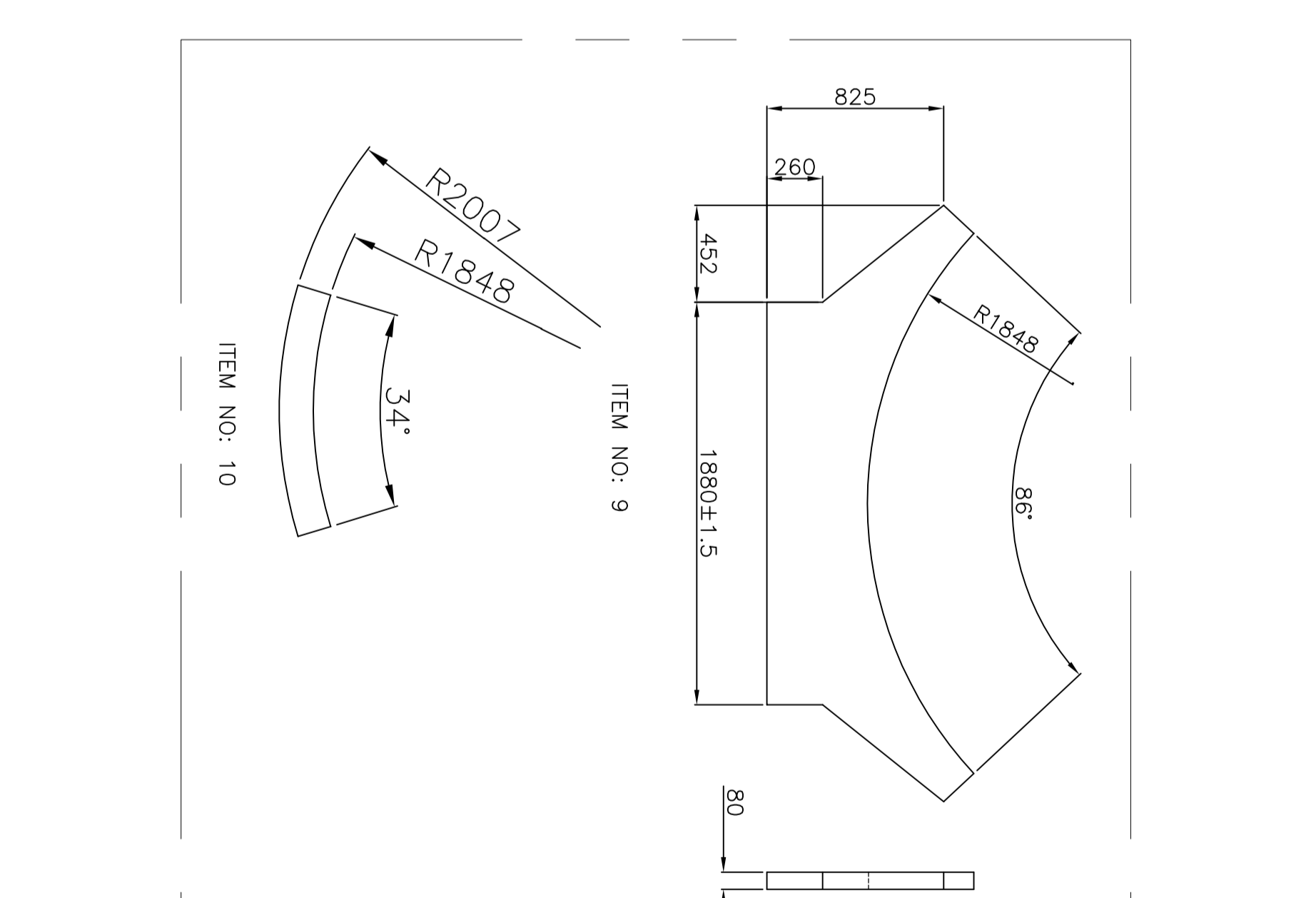
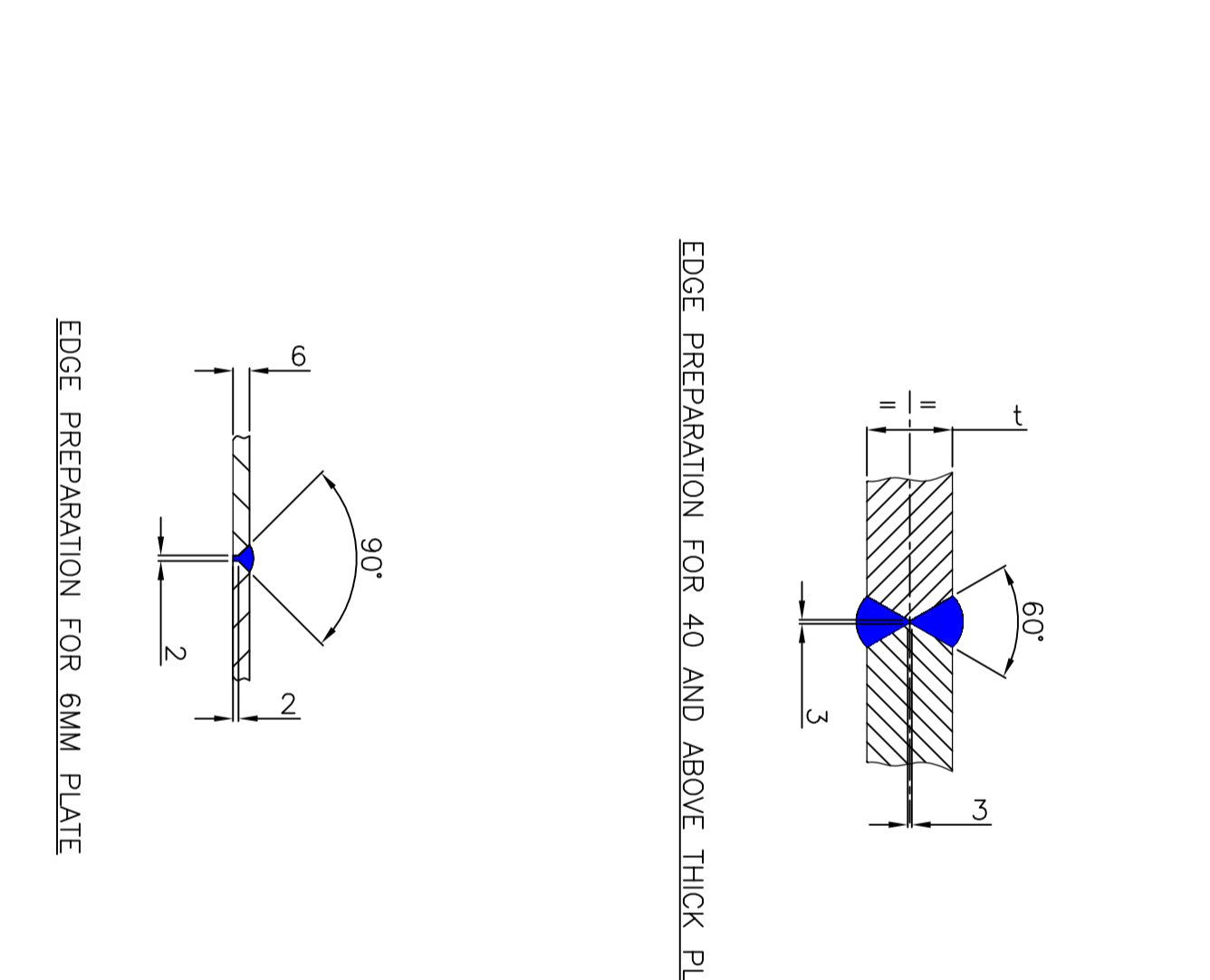
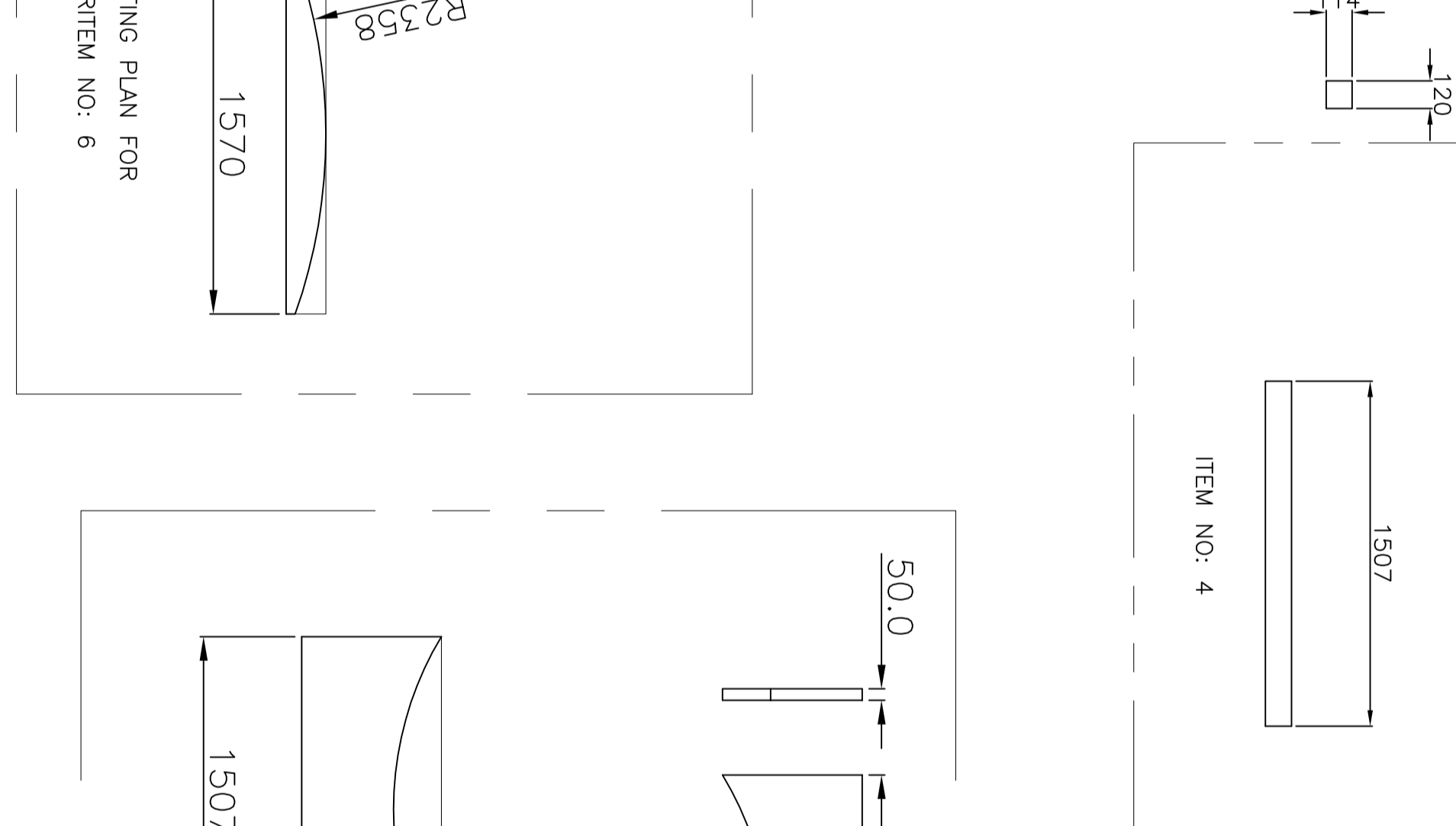
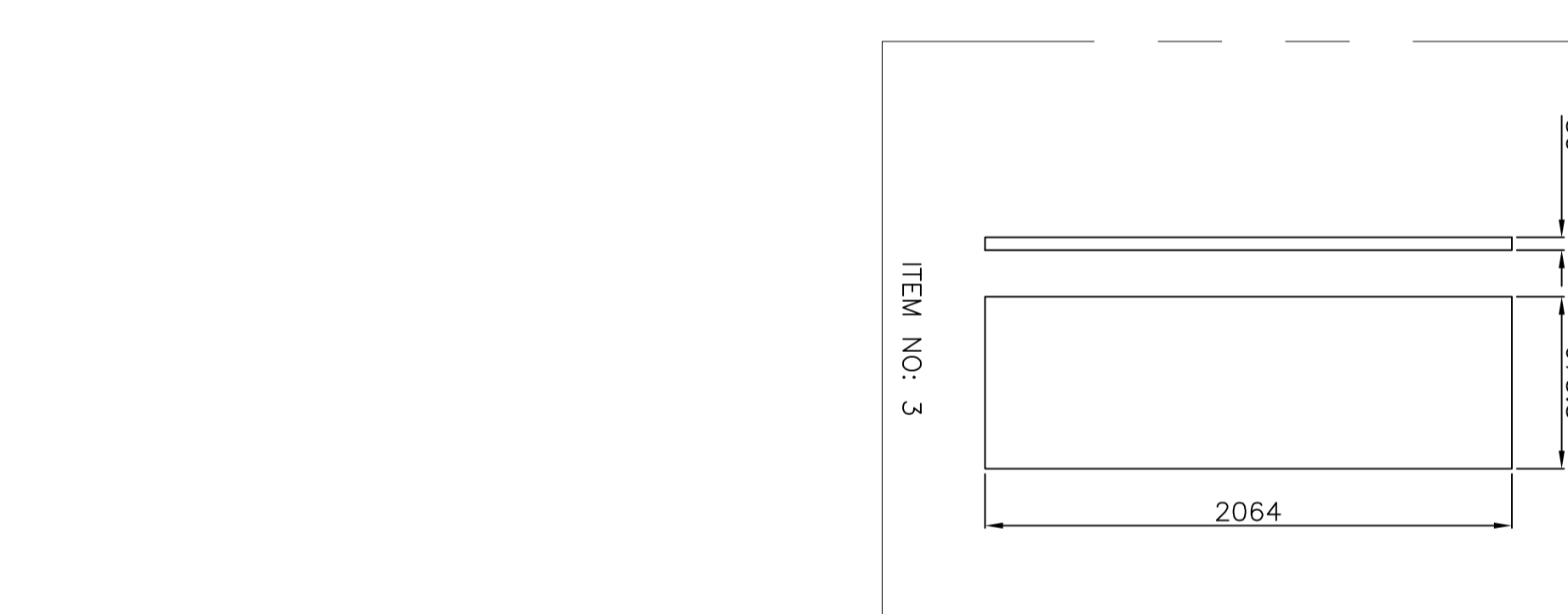
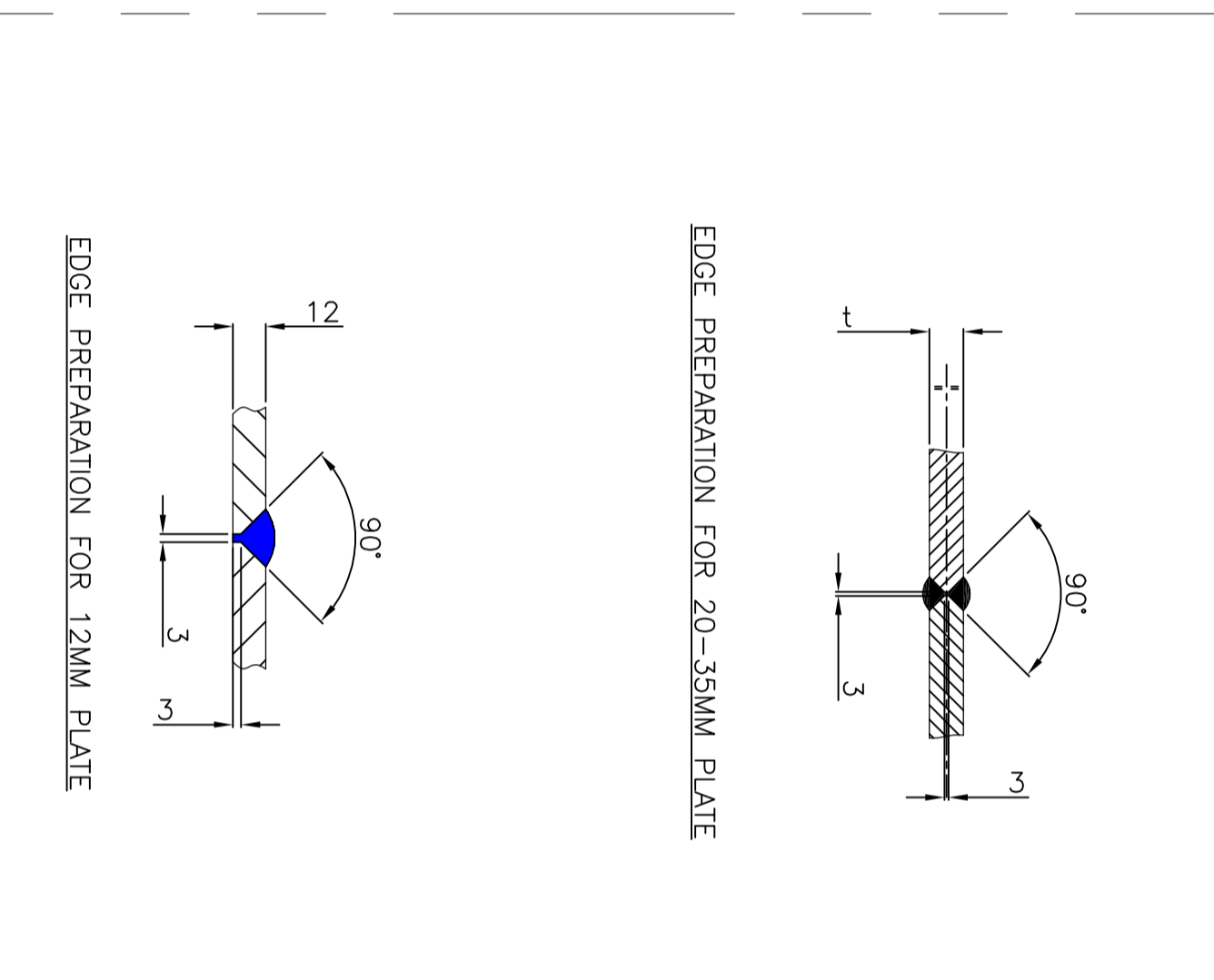
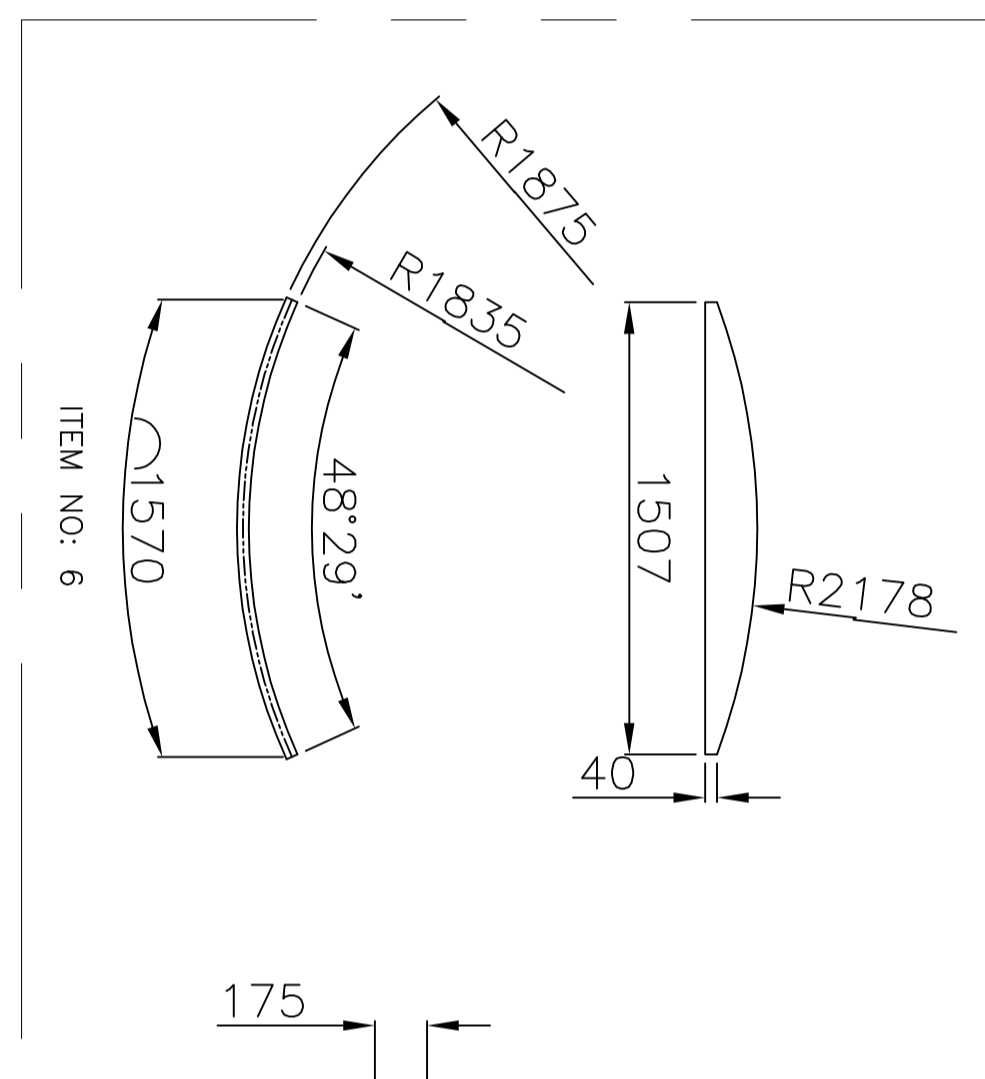
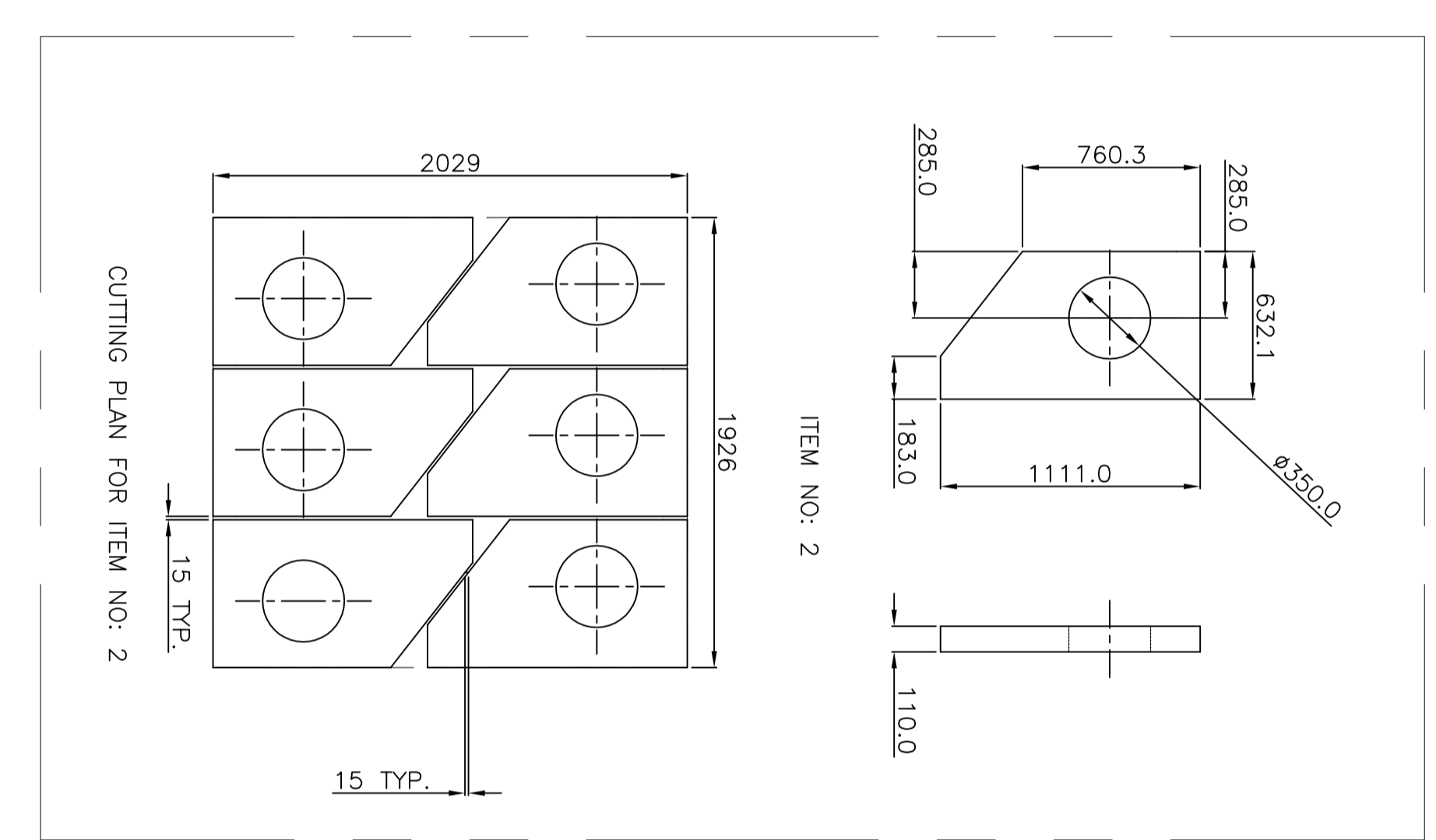
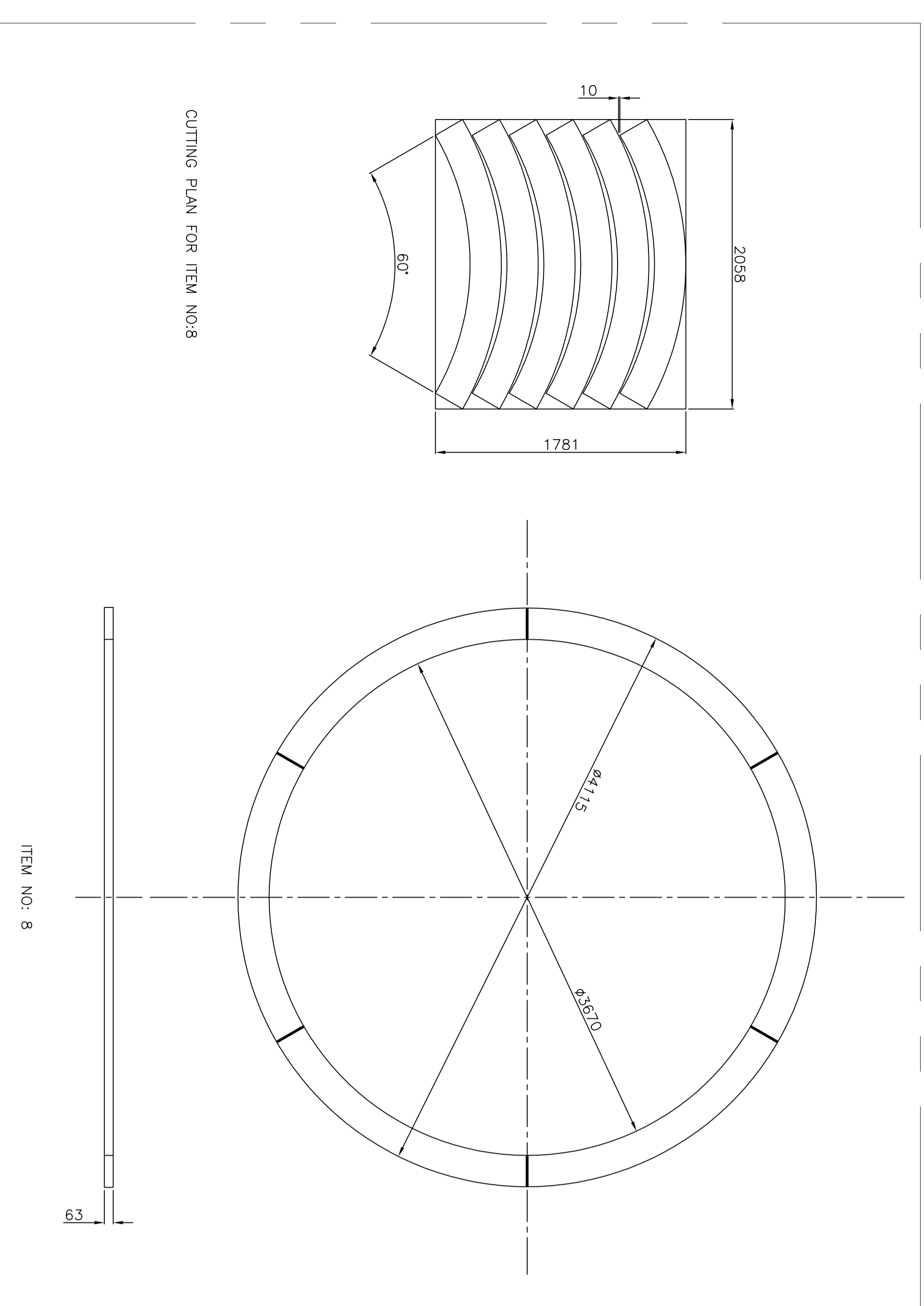
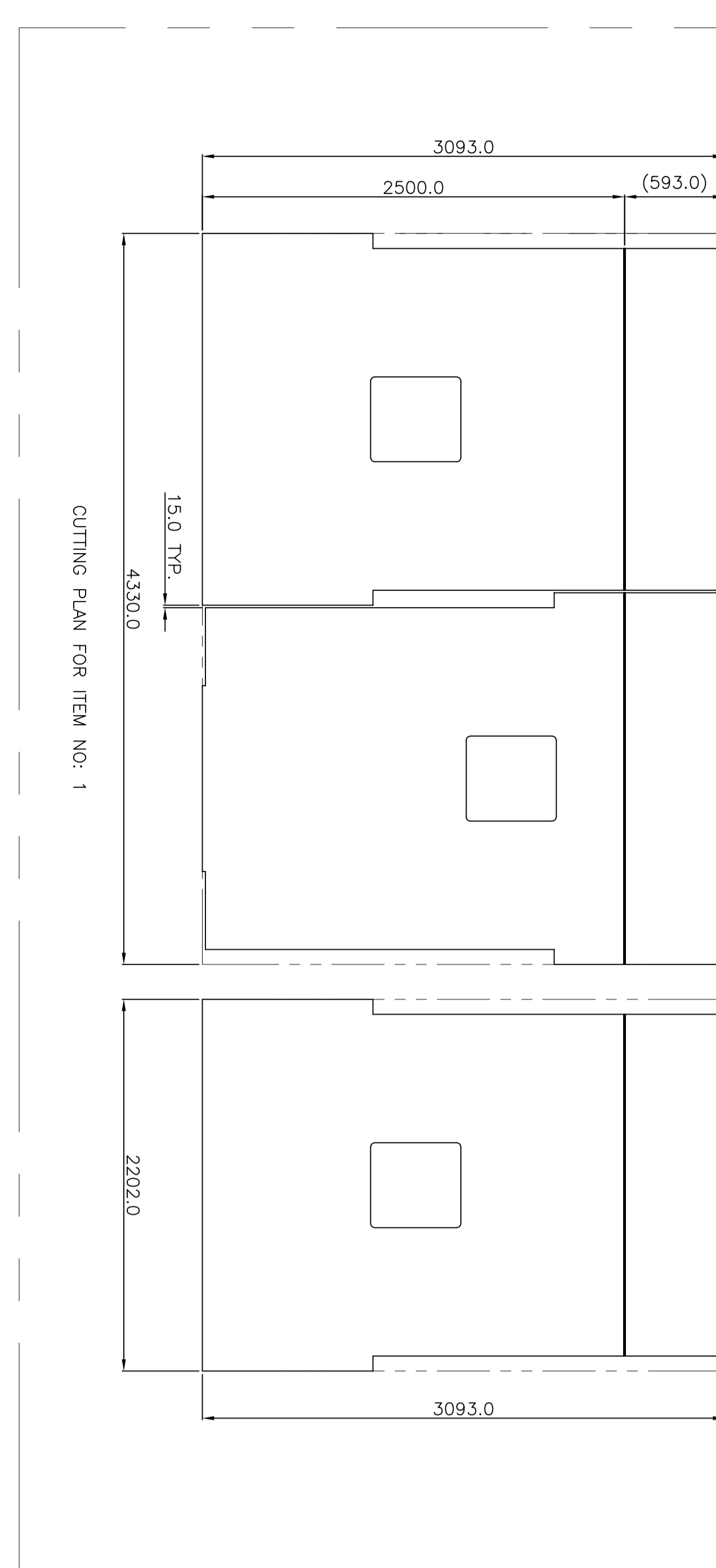
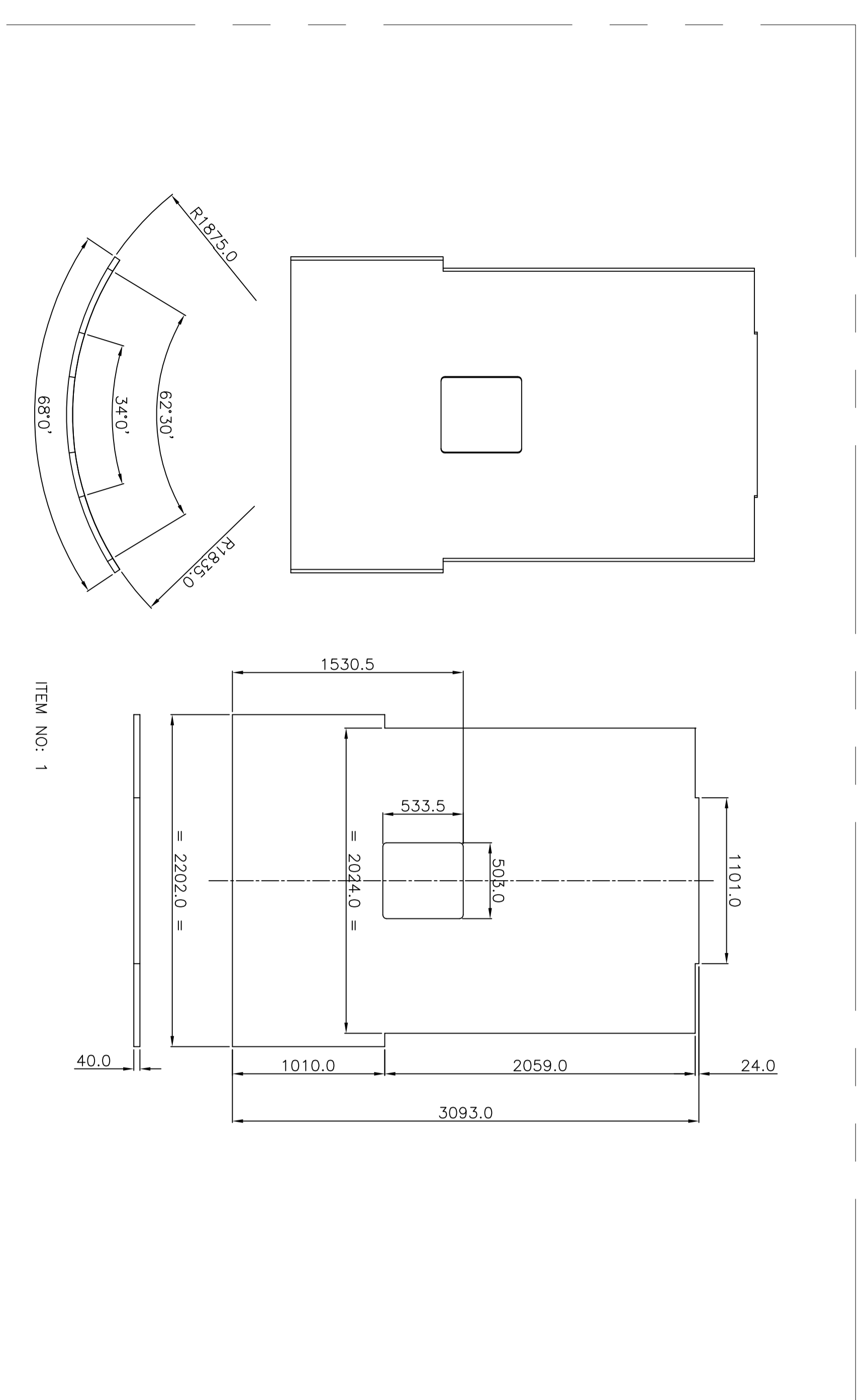
SCALE	WEIGHT (KG)	REF. TO ASSY DRG.	ITEM NO.	NO. OF ITEMS
1:6	6015			

TITLE	DRAWING NO.	REV.
PGB HOUSING MACHINING	0-61-104-00899	00
	SHEET NO. 01	NO. OF SHEETS 01

THE FOLLOWING CONDITIONS APPLY EXCEPT OTHERWISE STATED.

1. REF. TO HY293261 FOR UNSPECIFIED TOLERANCES.
2. CHAMFER M/C.D. SHARP EDGES 1:2 TO 1:0 AT 45°.
3. INTERNAL M/C.D. CORNER RADIUS 1 TO 0.7.
4. THE SURFACE ROUGHNESS WHERE-EVER NOT SHOWN SHALL BE TAKEN FROM THE SURFACE ROUGHNESS SHOWN BUT SIDE THE BACK SLASH GIVEN OR THE TOP MOST RIGHT CORNER OF THE DRG.



REV.	DATE	APPROVED	REV.	DATE	APPROVED	REV.	DATE	APPROVED
01	24/10/15	HP	02	24/10/15	HP	03	24/10/15	HP
04	24/10/15	HP	05	24/10/15	HP	06	24/10/15	HP
07	24/10/15	HP	08	24/10/15	HP	09	24/10/15	HP
10	24/10/15	HP	11	24/10/15	HP	12	24/10/15	HP
13	24/10/15	HP	14	24/10/15	HP	15	24/10/15	HP
16	24/10/15	HP	17	24/10/15	HP	18	24/10/15	HP

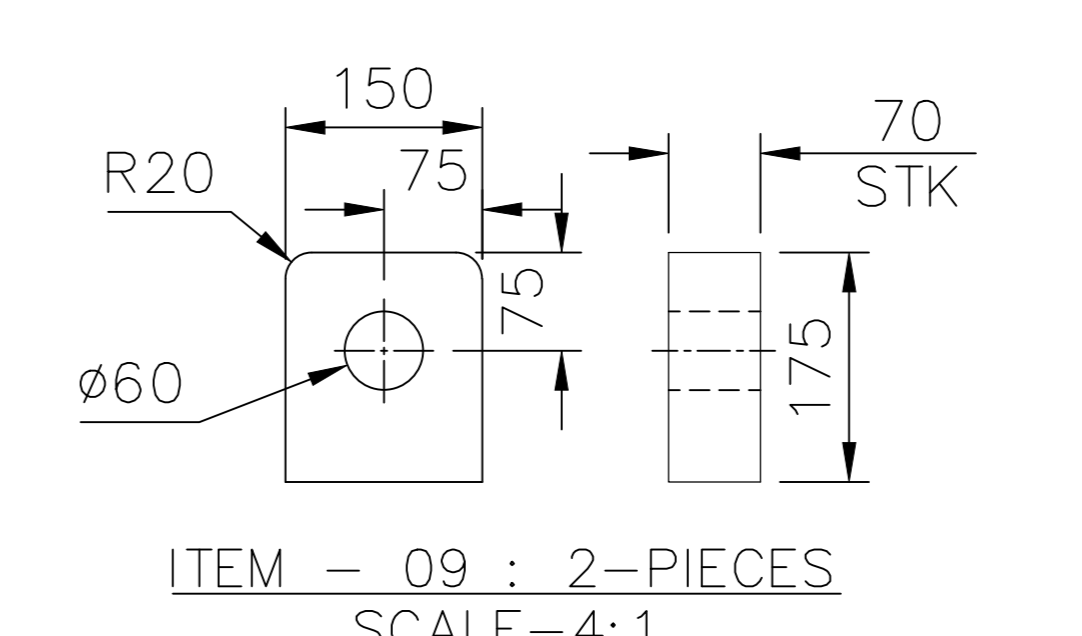
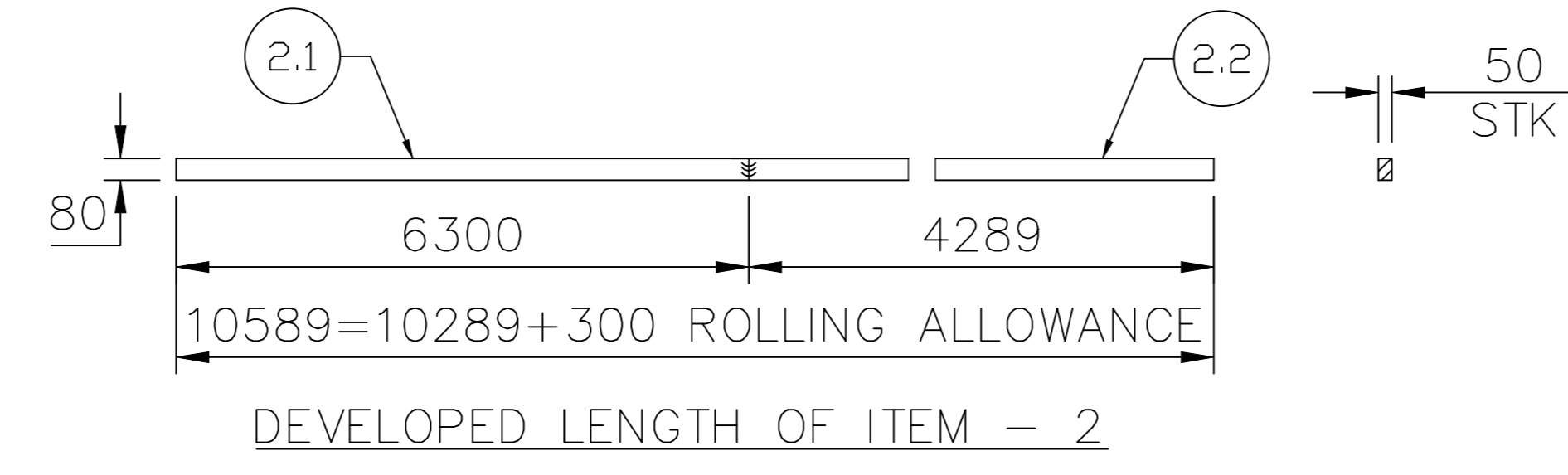
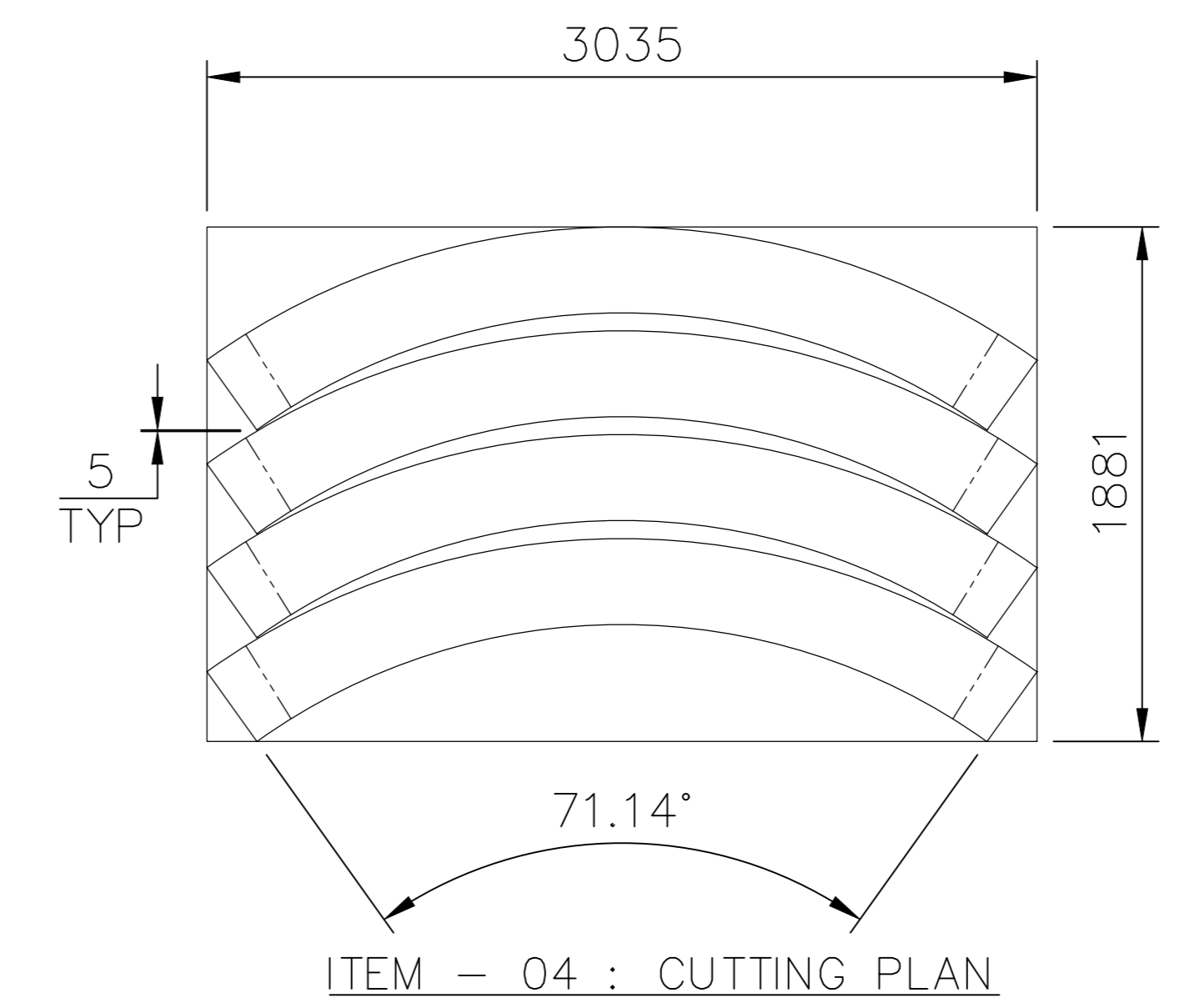
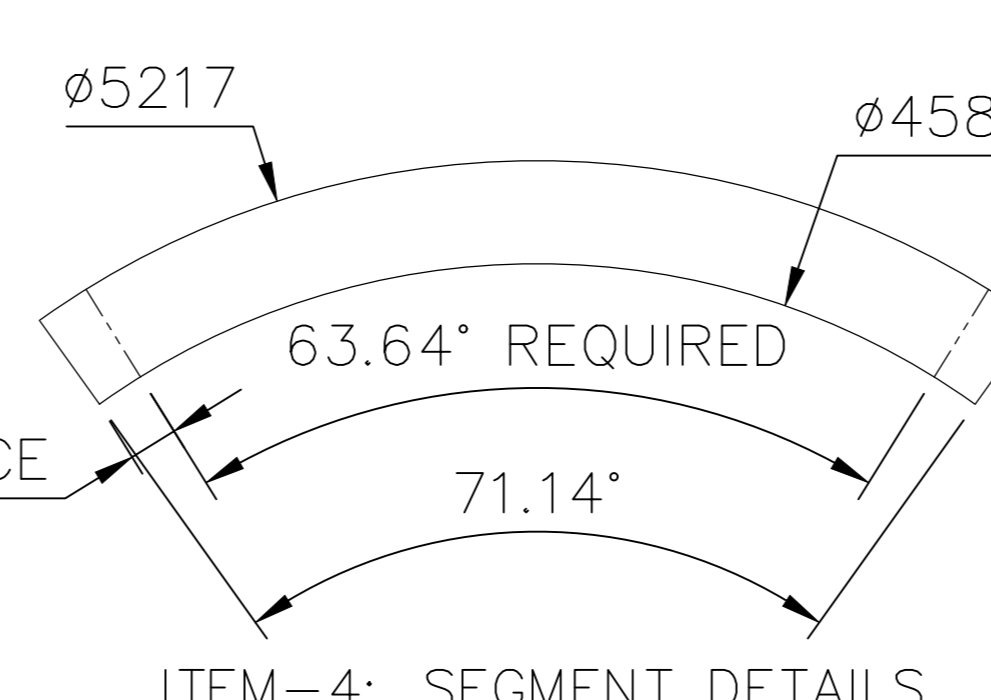
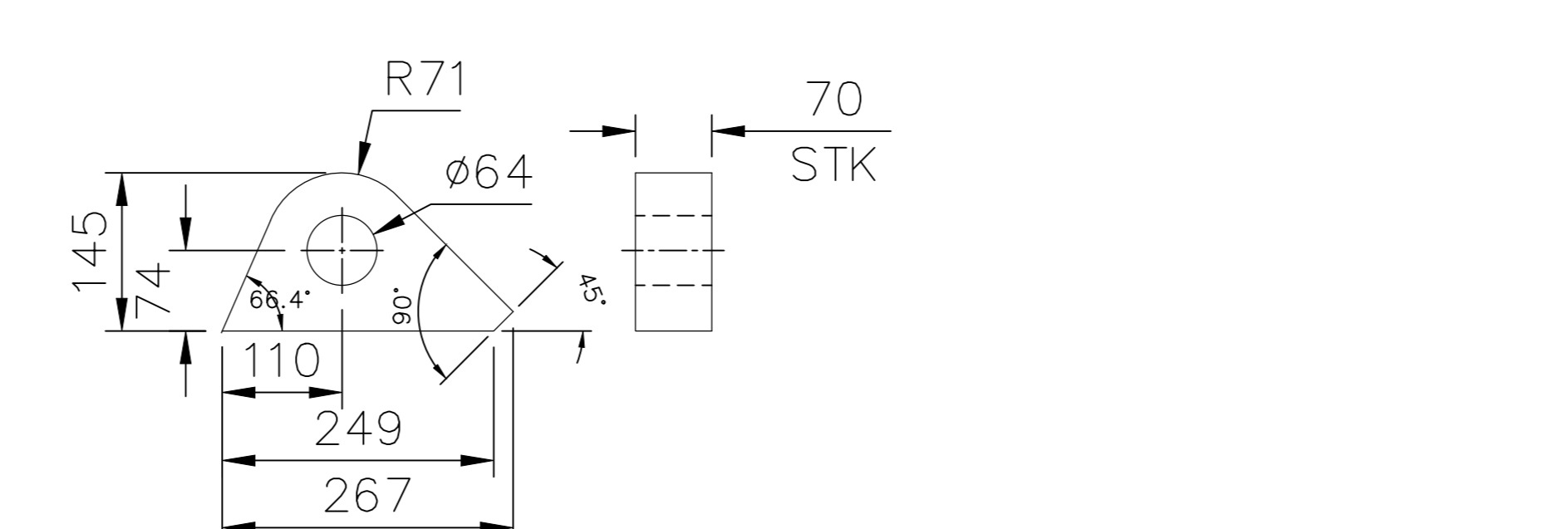
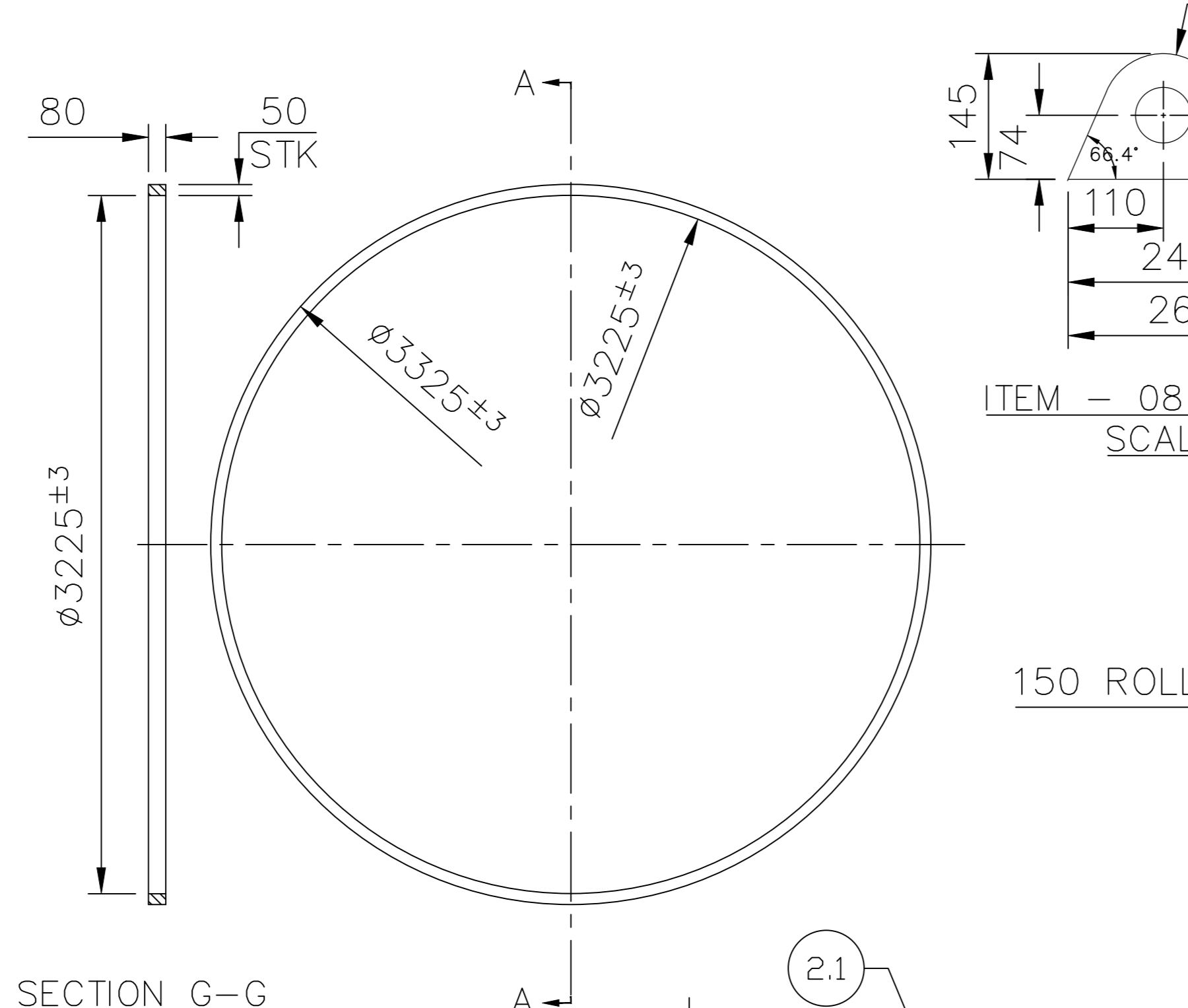
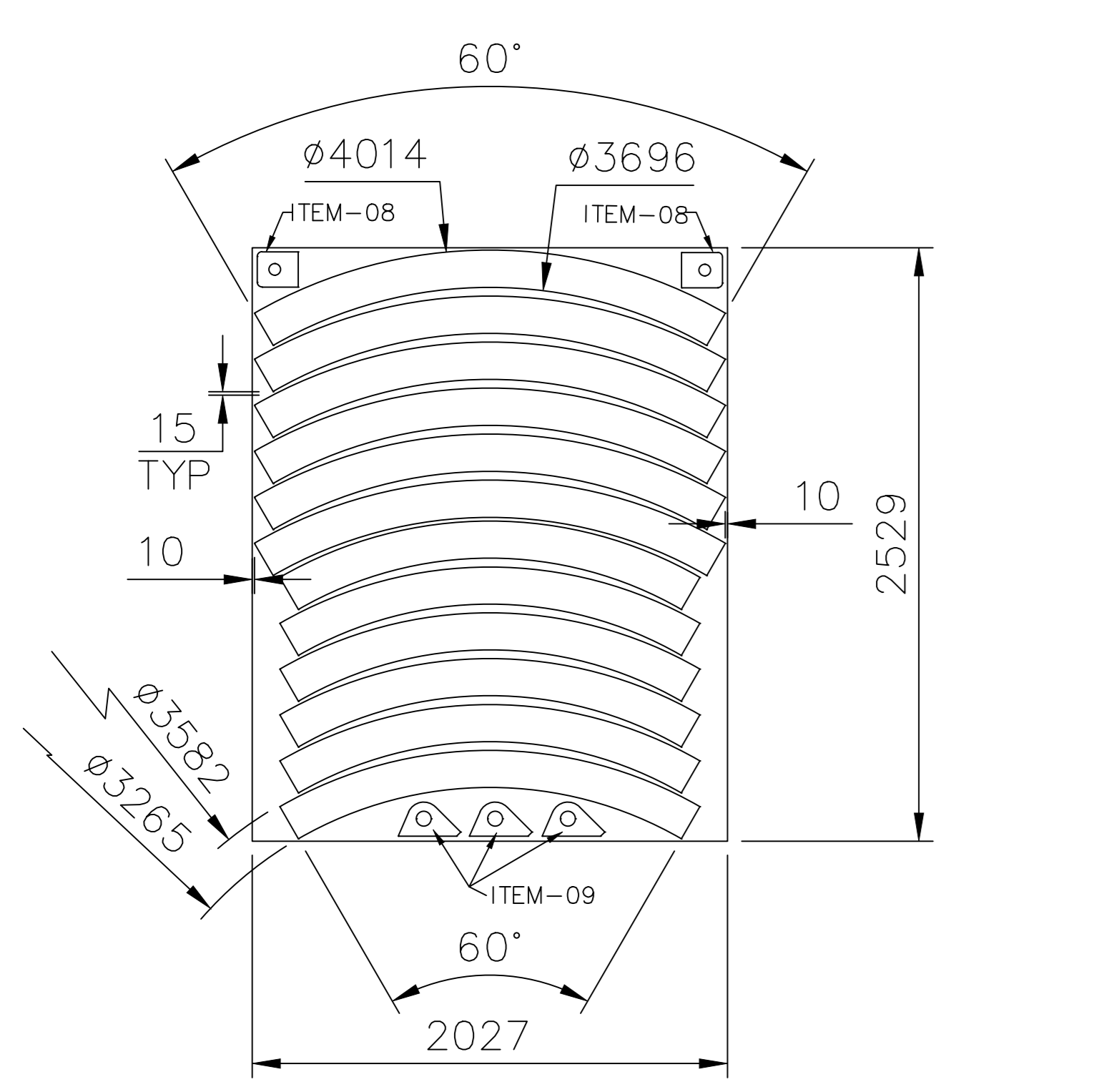
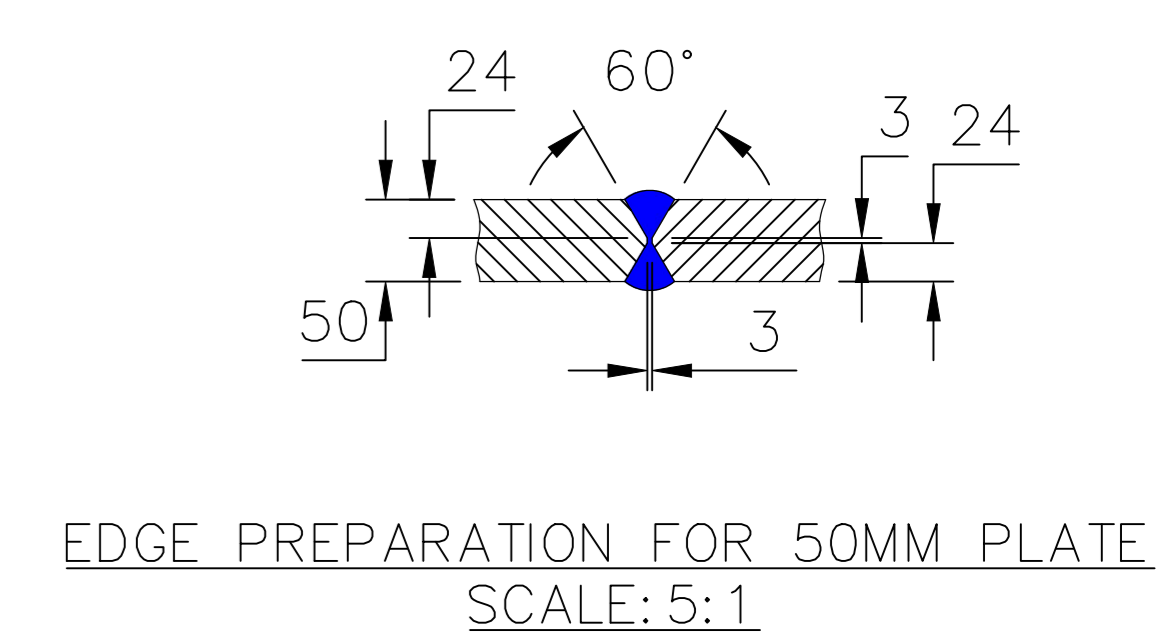
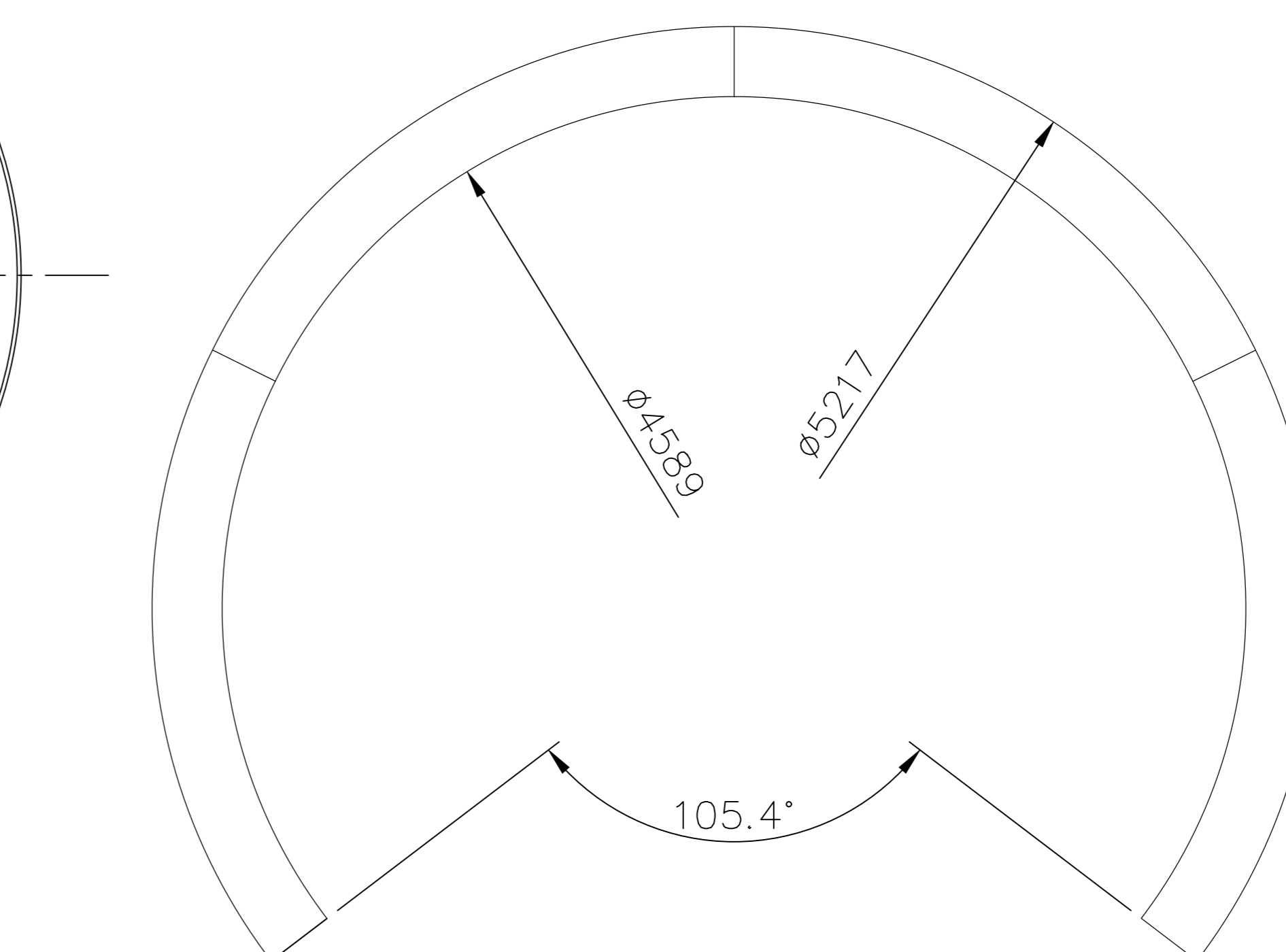
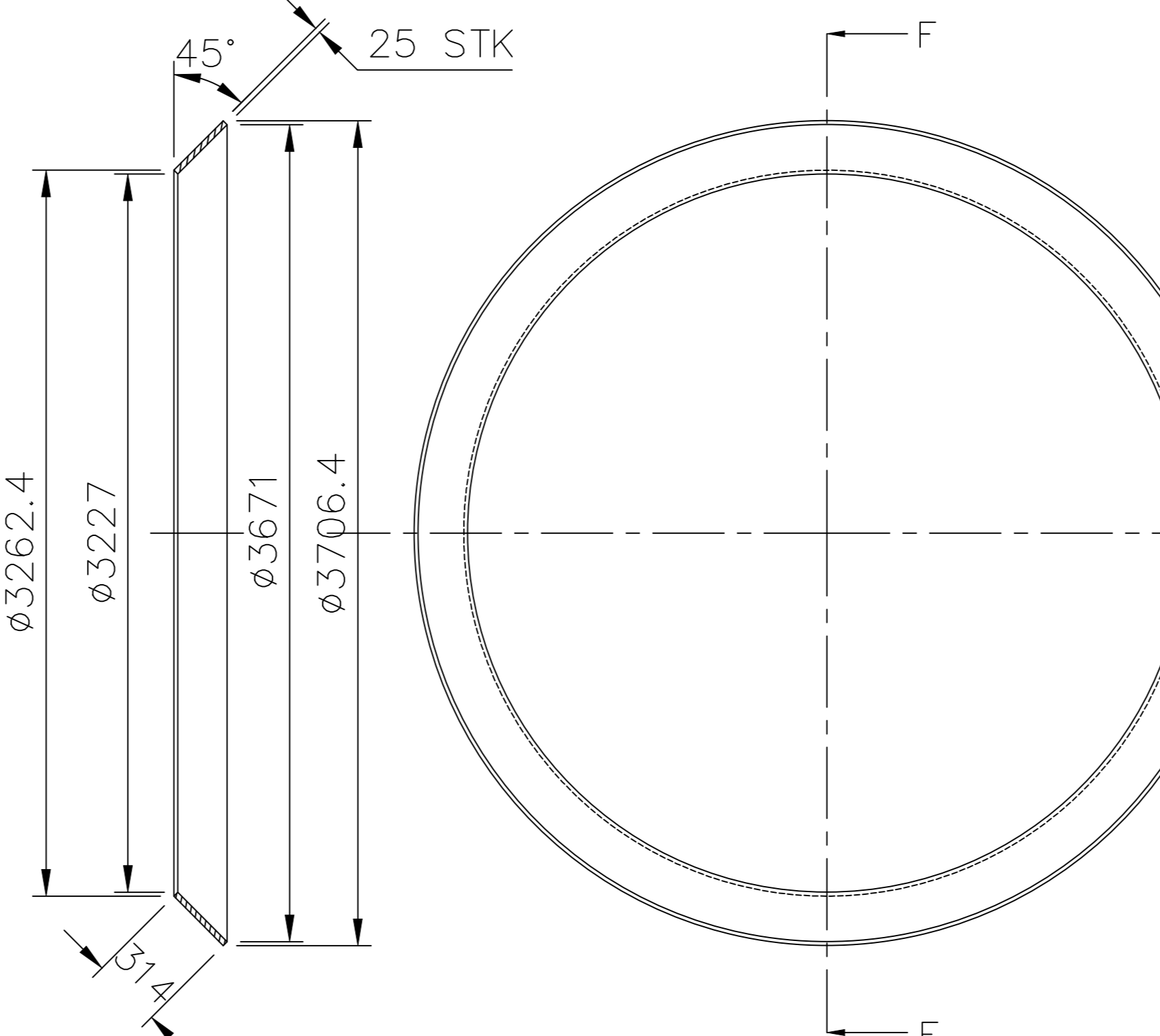
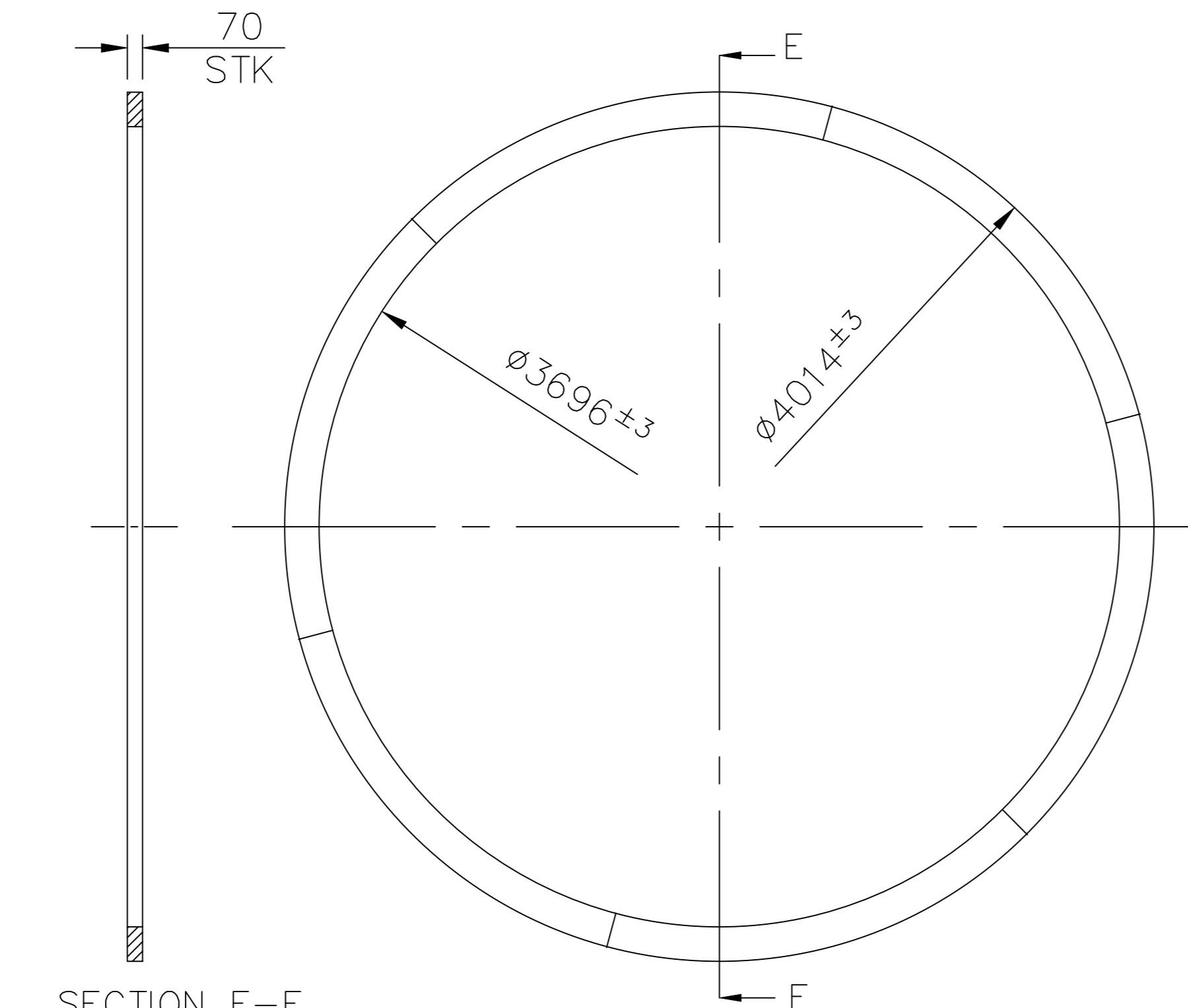
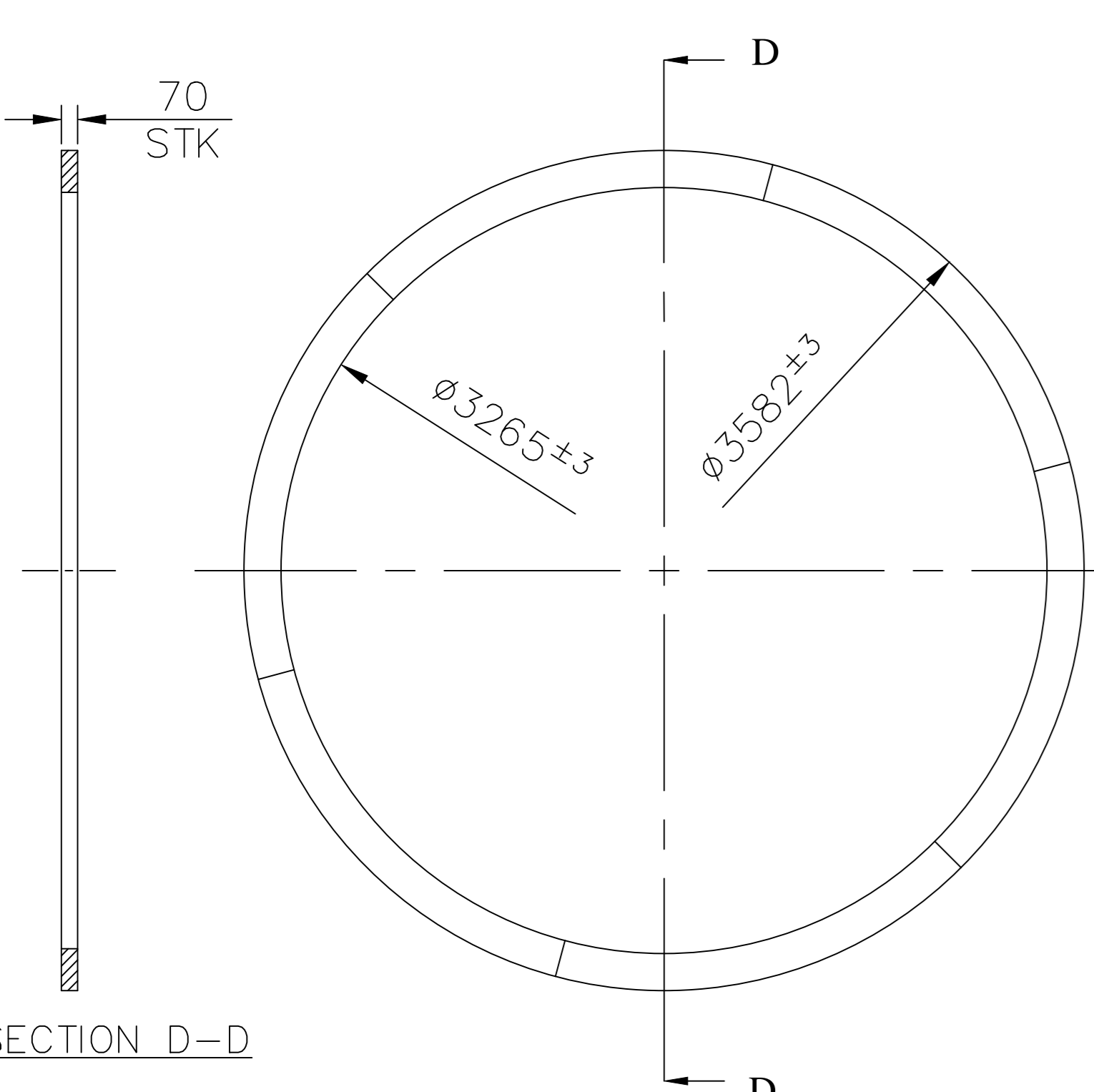
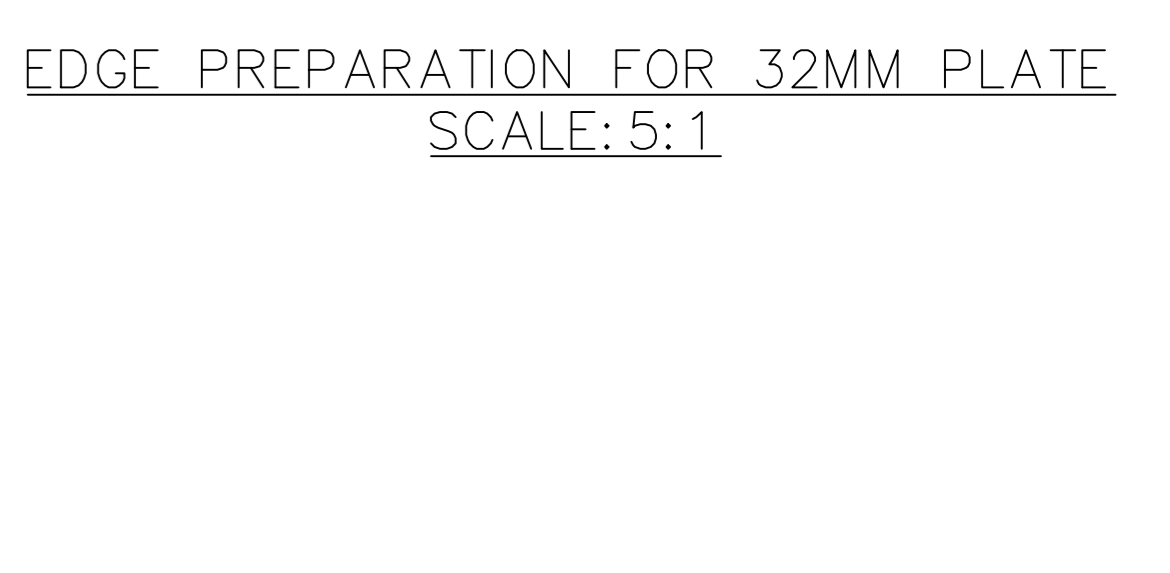
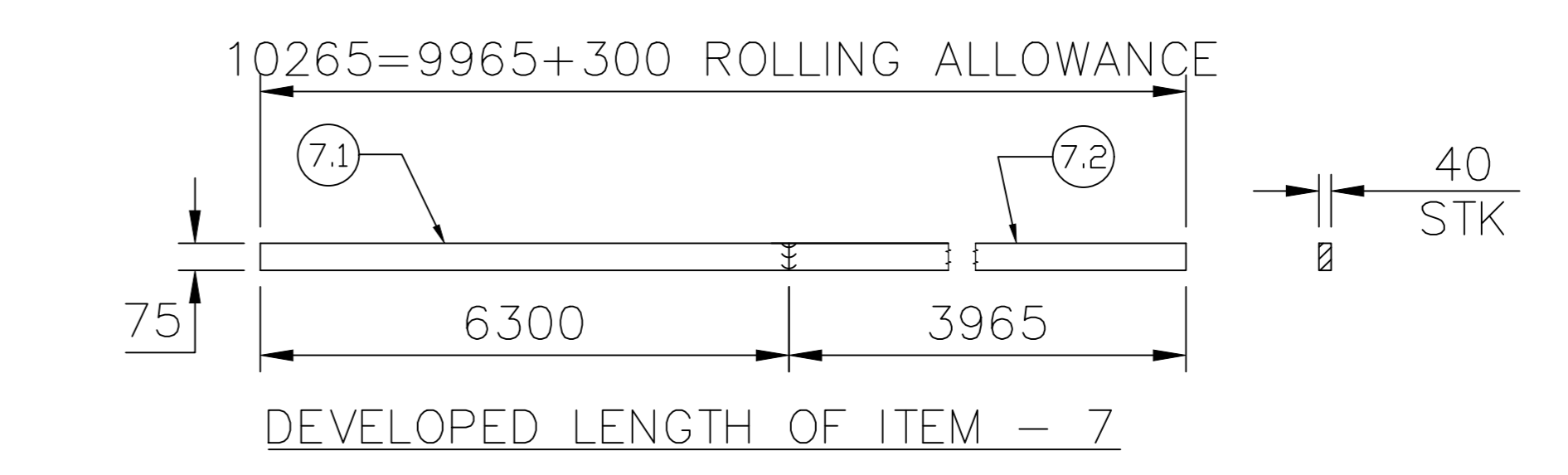
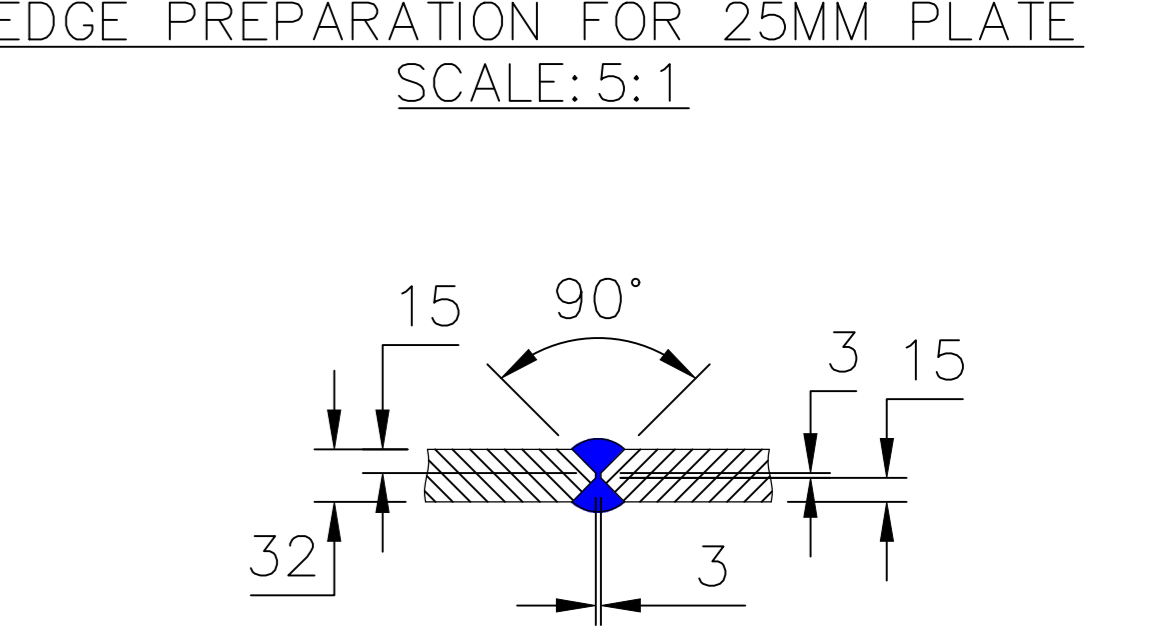
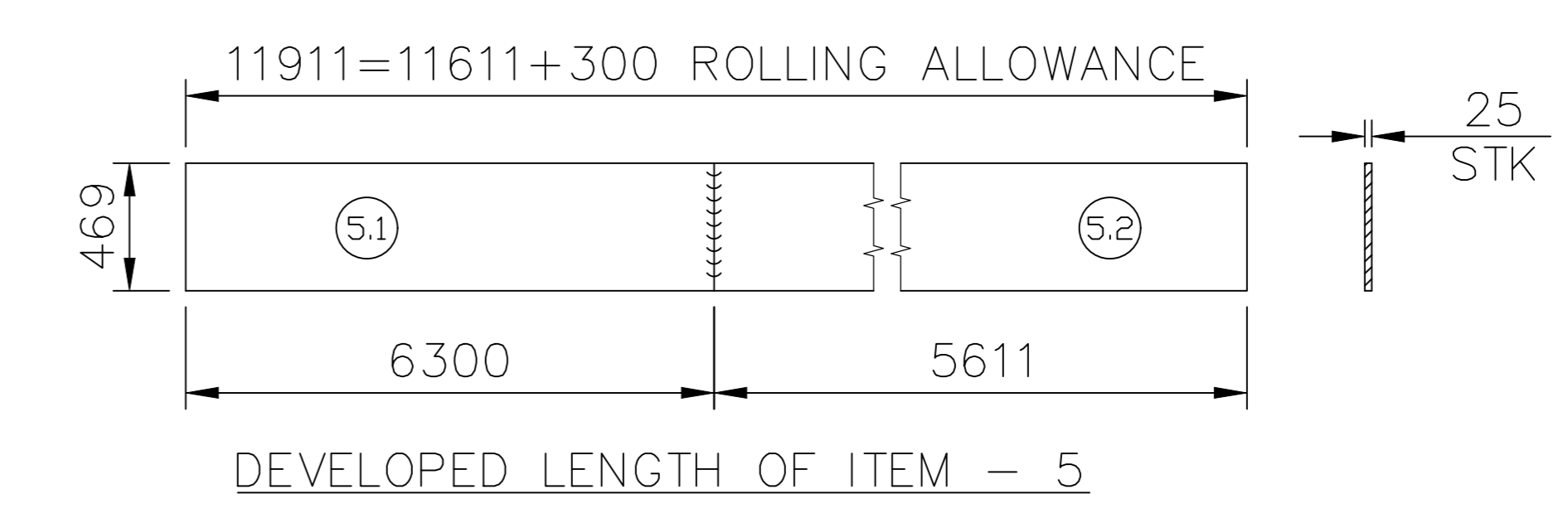
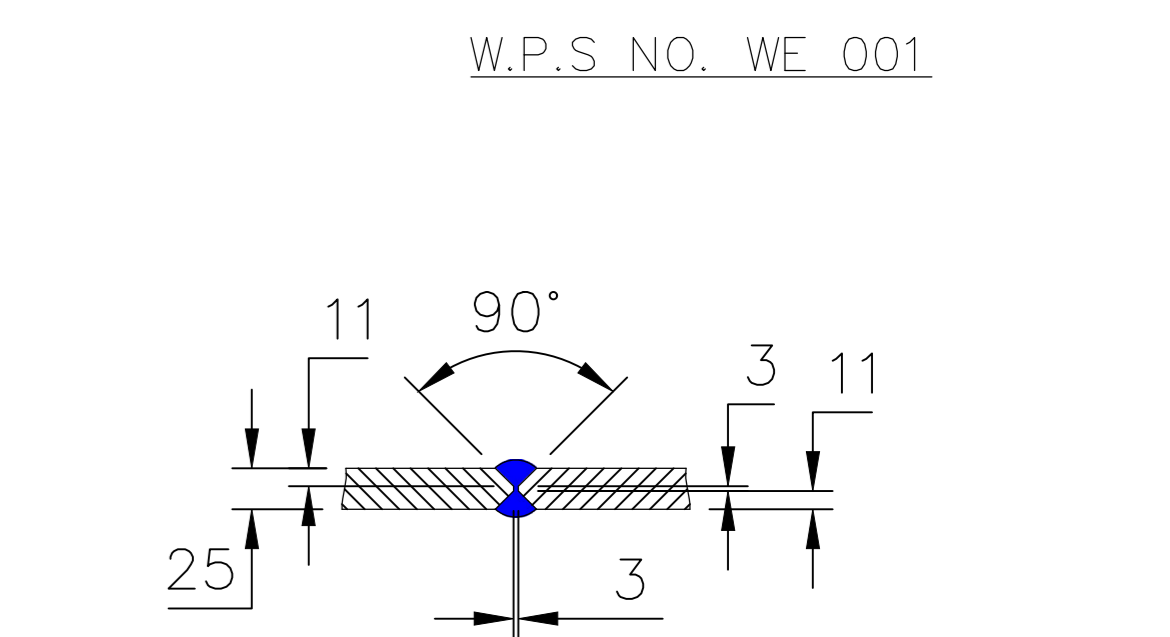
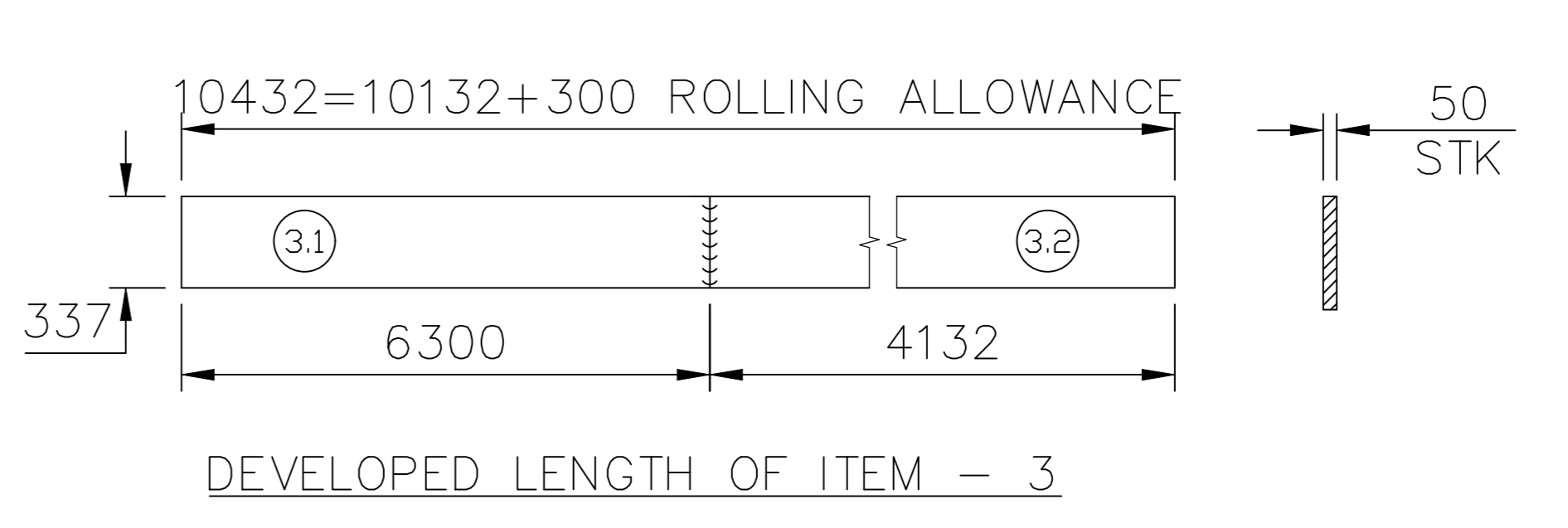
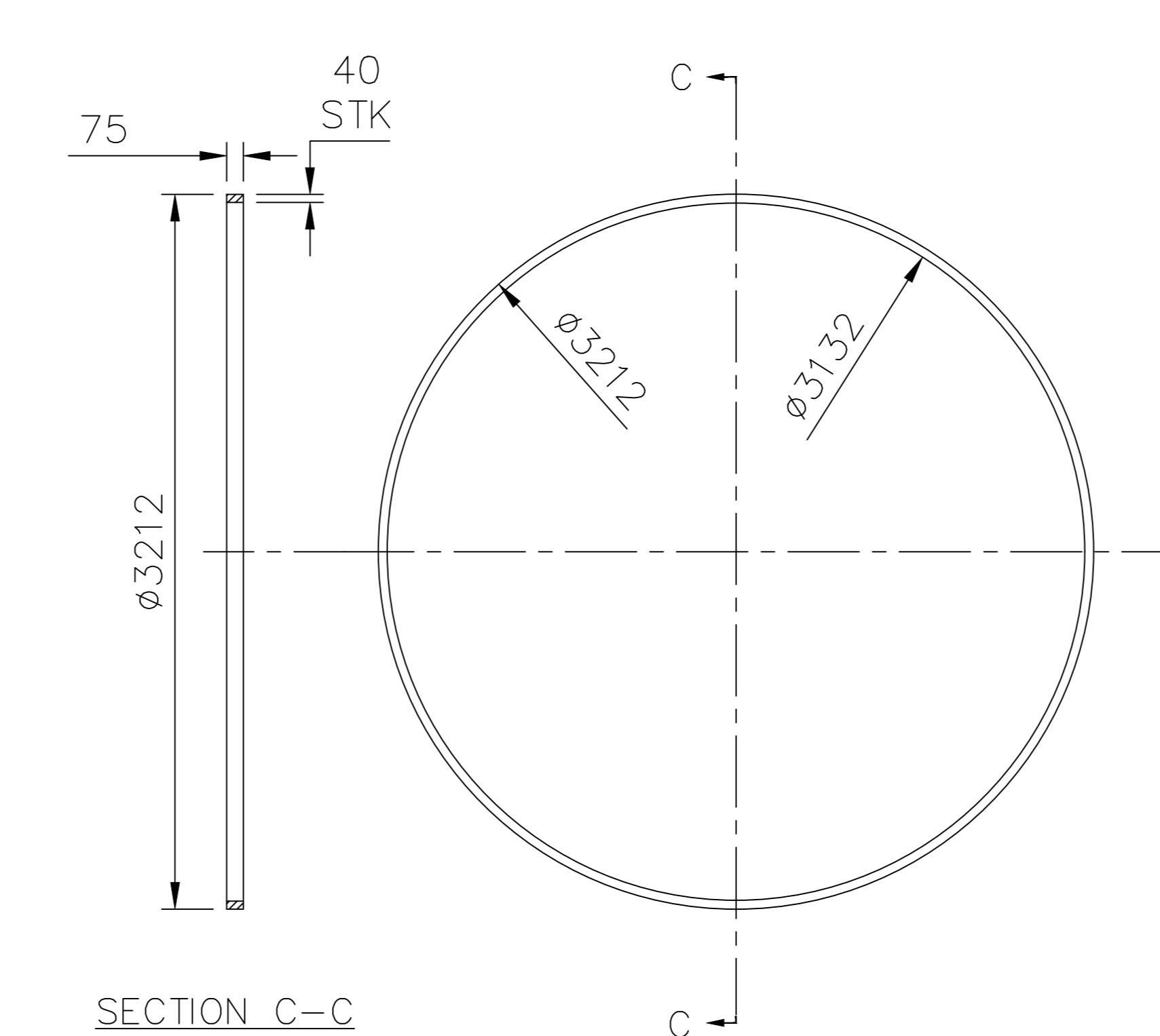
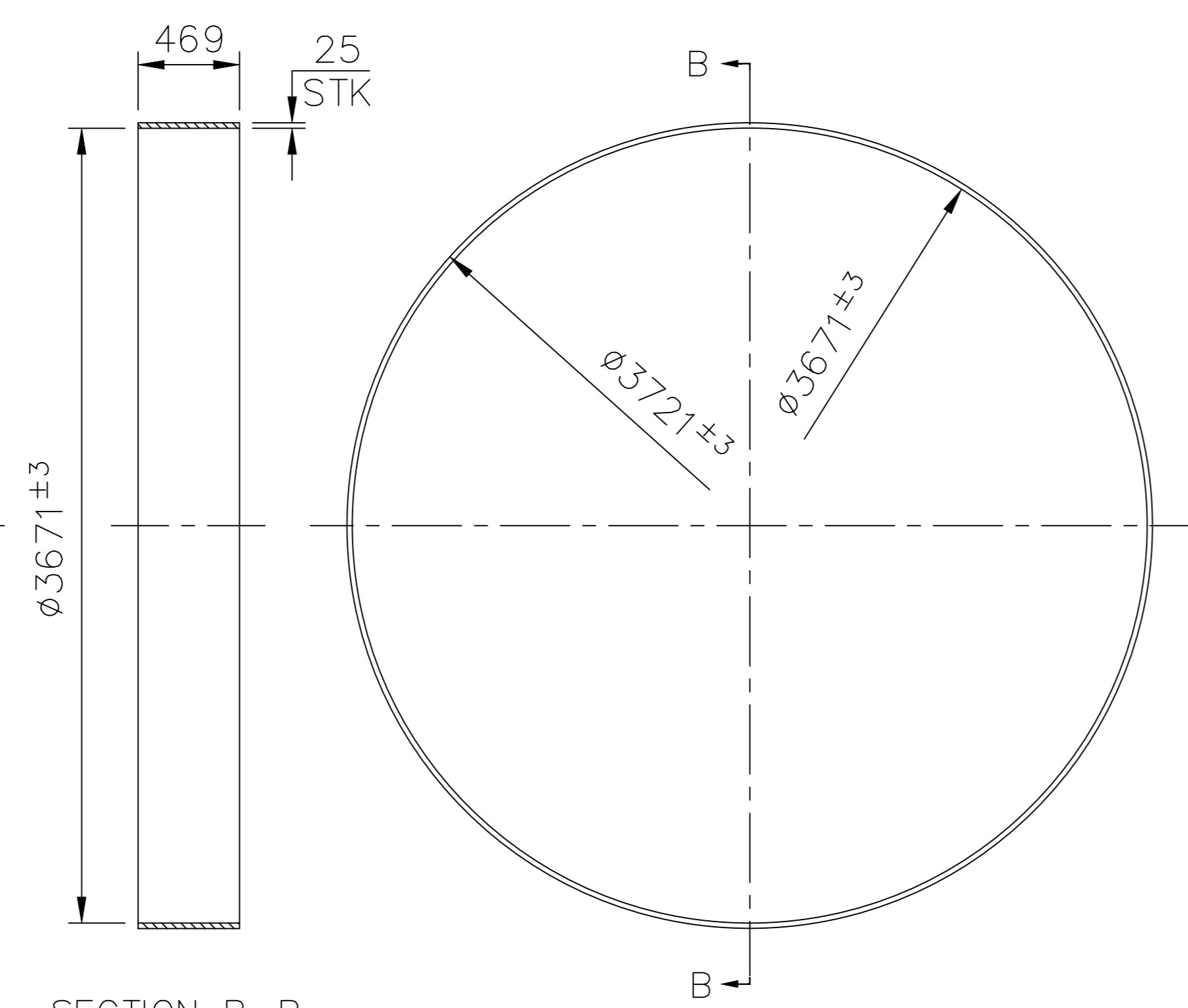
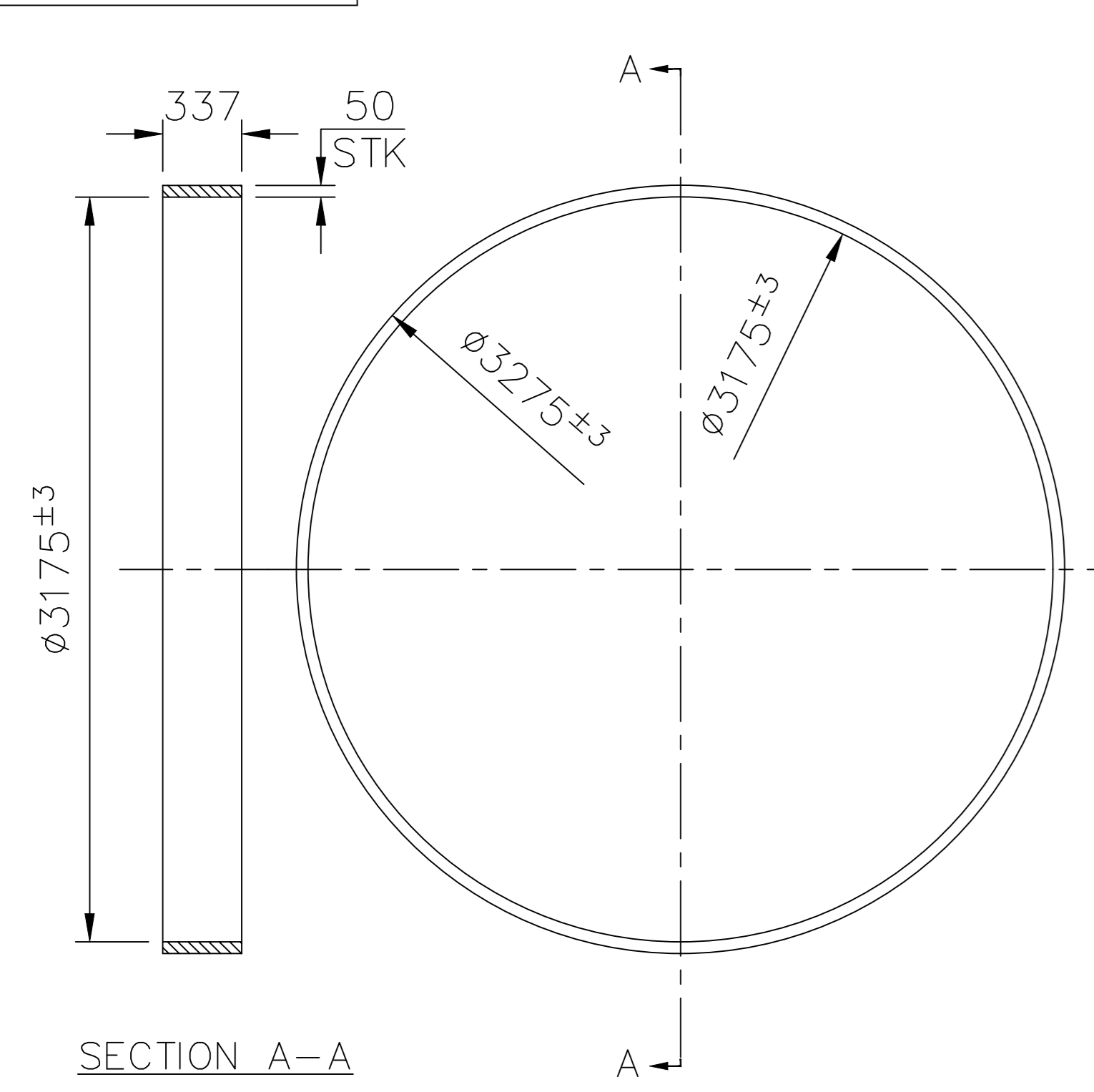
INVENTORY NO	REF. DRG. NO.	COMP. FILE NAME	THE INFORMATION ON THIS DOCUMENT IS THE PROPERTY OF BHARAT HEAVY ELECTRICALS LIMITED. IT MUST NOT BE USED DIRECTLY OR INDIRECTLY IN ANY WAY DETRIMENTAL TO THE INTEREST OF THE COMPANY.
	E-PLVE-1006M-04		

REV.	DATE	APPROVED	REV.	DATE	APPROVED	REV.	DATE	APPROVED
01	24/10/15	HP	02	24/10/15	HP	03	24/10/15	HP
04	24/10/15	HP	05	24/10/15	HP	06	24/10/15	HP
07	24/10/15	HP	08	24/10/15	HP	09	24/10/15	HP
10	24/10/15	HP	11	24/10/15	HP	12	24/10/15	HP
13	24/10/15	HP	14	24/10/15	HP	15	24/10/15	HP
16	24/10/15	HP	17	24/10/15	HP	18	24/10/15	HP

TYPE OF PRODUCT	NAME OF CUSTOMER/PROJECT	HP-1103 BOWL MILL
DESIGNED BY	SCALE	N/S
CHECKED BY	DATE	24/10/15
APPROVED BY	DATE	24/10/15
DATE	NO. OF SHEETS	03

THE FOLLOWING CONDITIONS APPLY EXCEPT OTHERWISE STATED:

- REF. TO HATCHING FOR UNDESIGNED TOLERANCES.
- CHAMFER W/O. SHARP EDGES 1:2 TO 1:0 AT 45°
- INTERNAL W/O. CORNER RADIUS 1 TO 0.7
- THE SURFACE FINISHES SHOWN ON THE DRAWING SHALL BE TAKEN FROM THE SURFACE UNLESS OTHERWISE SPECIFIED.



TOTAL GROSS WT = 6754.35 KG

THE INFORMATION ON THIS DOCUMENT IS THE PROPERTY OF BHARAT HEAVY ELECTRICALS LIMITED. IT MUST NOT BE USED DIRECTLY OR INDIRECTLY IN ANY WAY DETRIMENTAL TO THE INTEREST OF THE COMPANY.

REF. DRG. NO. INVENTORY NO.

ITEM NO.	DESCRIPTION	DRAWING NO.	VAR. NO.	RAW MATERIAL SIZE OR CASTING DRG. NO. OR FORGING DRG. NO.	MATERIAL CODE	NET WT.	GROSS WT.

REV.	DATE	ALTERED	CHECKED	APPROVED	REV.	DATE	ALTERED	CHECKED	APPROVED	REV.	DATE	ALTERED	CHECKED	APPROVED	REV.	DATE	ALTERED	CHECKED	APPROVED
03	27.08.18		SHARIF	AMAN	02	16.5.18		SHARIF	AMAN	01	27.02.18		SHARIF	MANNAS	01	27.02.18		SHARIF	MANNAS

ITEM NO.	DESCRIPTION	DRAWING NO.	VAR. NO.	RAW MATERIAL SIZE OR CASTING DRG. NO. OR FORGING DRG. NO.	MATERIAL CODE	NET WT.	GROSS WT.

REV.	DATE	ALTERED	CHECKED	APPROVED	REV.	DATE	ALTERED	CHECKED	APPROVED	REV.	DATE	ALTERED	CHECKED	APPROVED	REV.	DATE	ALTERED	CHECKED	APPROVED
03	27.08.18		SHARIF	AMAN	02	16.5.18		SHARIF	AMAN	01	27.02.18		SHARIF	MANNAS	01	27.02.18		SHARIF	MANNAS

REV.	DATE	ALTERED	CHECKED	APPROVED	REV.	DATE	ALTERED	CHECKED	APPROVED	REV.	DATE	ALTERED	CHECKED	APPROVED	REV.	DATE	ALTERED	CHECKED	APPROVED
03	27.08.18		SHARIF	AMAN	02	16.5.18		SHARIF	AMAN	01	27.02.18		SHARIF	MANNAS	01	27.02.18		SHARIF	MANNAS

REV.	DATE	ALTERED	CHECKED	APPROVED	REV.	DATE	ALTERED	CHECKED	APPROVED	REV.	DATE	ALTERED	CHECKED	APPROVED	REV.	DATE	ALTERED	CHECKED	APPROVED
03	27.08.18		SHARIF	AMAN	02	16.5.18		SHARIF	AMAN	01	27.02.18		SHARIF	MANNAS	01	27.02.18		SHARIF	MANNAS

REV.	DATE	ALTERED	CHECKED	APPROVED	REV.	DATE	ALTERED	CHECKED	APPROVED	REV.	DATE	ALTERED	CHECKED	APPROVED	REV.	DATE	ALTERED	CHECKED	APPROVED
03	27.08.18		SHARIF	AMAN	02	16.5.18		SHARIF	AMAN	01	27.02.18		SHARIF	MANNAS	01	27.02.18		SHARIF	MANNAS

REV.	DATE	ALTERED	CHECKED	APPROVED	REV.	DATE	ALTERED	CHECKED	APPROVED	REV.	DATE	ALTERED	CHECKED	APPROVED	REV.	DATE	ALTERED	CHECKED	APPROVED
03	27.08.18		SHARIF	AMAN	02	16.5.18		SHARIF	AMAN	01	27.02.18		SHARIF	MANNAS	01	27.02.18		SHARIF	MANNAS

REV.	DATE	ALTERED	CHECKED	APPROVED	REV.	DATE	ALTERED	CHECKED	APPROVED	REV.	DATE	ALTERED	CHECKED	APPROVED	REV.	DATE	ALTERED	CHECKED	APPROVED
03	27.08.18		SHARIF	AMAN	02	16.5.18		SHARIF	AMAN	01	27.02.18		SHARIF	MANNAS	01	27.02.18		SHARIF	MANNAS

REV.	DATE	ALTERED	CHECKED	APPROVED	REV.	DATE	ALTERED	CHECKED	APPROVED	REV.	DATE	ALTERED	CHECKED	APPROVED	REV.	DATE	ALTERED	CHECKED	APPROVED
03	27.08.18		SHARIF	AMAN	02	16.5.18		SHARIF	AMAN	01	27.02.18		SHARIF	MANNAS	01	27.02.18		SHARIF	MANNAS

THE FOLLOWING CONDITIONS APPLY EXCEPT OTHERWISE STATED.

- REF. TO HYB20061 FOR UNSPECIFIED TOLERANCES.
- CHAMFER M/CB. SHARP EDGES 1:2 TO 1:0 AT 45°.
- INTERNAL M/CB. CORNER RADIUS 1 TO 0.7.
- THE SURFACE ROUGHNESS WHERE-EVER NOT SHOWN SHALL BE TAKEN FROM THE SURFACE ROUGHNESS SHOWN OUT SIDE THE BACK SLASH GIVEN OR THE TOP MOST RIGHT CORNER OF THE DRG.

TYPE OF PRODUCT: HP-1103 BOWL MILL  
 NAME OF CUSTOMER/PROJECT: BHARAT HEAVY ELECTRICALS LIMITED HYDRABAD

REPT. NO: 4460  
 DATE: 27.08.18  
 SCALE: NTS  
 WEIGHT (KG): 5694.68

TITLE: SEPARATOR TOP FOR DYN.CLAS - FAB ITEMS

DRAWING NO: 0-61-310-01509 03  
 SHEET NO: 01  
 NO OF SHEETS: 01