

TENDER ENQUIRY NO.: X/6620/2022/0461/C

TERMS & CONDITIONS FOR RATE CONTRACT

PRE-FAB. M/C & FAB. ONLY OF ACC DUCT ELBOW DIA 8000, ACC DUCT ELBOW TEE DIA 8000, ACC STEAM DUCT WITH PAINTING, PRESERVATION WITH PARTY MATERIAL

NIT-Notice Inviting Tender

Salient Details of Notice Inviting Tender (NIT)		
Sl. No.	Issue	Description
1.	Item details	As per Enquiry Annexure X/6620/2022/0461/C
2.	Issue of Tender Documents	From BHEL eProcurement website https://eprocurebhel.co.in/nicgep/app (Tender documents will be available for downloading from BHEL e-Procurement website till due date of submission)
3.	Due Date Of Offer Submission	Date: 26.11.2022 Time: 13:45 hrs https://eprocurebhel.co.in/nicgep/app Offer to be submitted in online only through e-procurement Portal. (Bidders are requested to visit website to view corrigendum/ addenda/ amendments/ extension/ modification etc. before submitting offer).
4.	Opening of Tender (Techno-Commercial Bid)	Date: 26.11.2022 Time: 14.00 Hrs Notes: This tender being an e-tender, it shall be opened online only through the E-Procurement Portal. Participating bidders may witness the Opening online only.
5.	Cost of Tender	INR 2000/- (If hard copy of tender document is required from BHEL otherwise not applicable.)
6.	EMD (Earnest Money Deposit)	Rs. 2,00,000.00
7.	Schedule Of Pre-Bid Discussion	Not Applicable
8.	Integrity Pact & Details of Independent External Monitor (IEM)	Required
9.	Latest Updates	Latest updates on the important dates, Amendments, Correspondences, Corrigenda, Clarifications, Changes, Errata, Modifications, Revisions, etc to Tender Specifications will be hosted in BHEL e-tender portal https://eprocurebhel.co.in/nicgep/app and not in the newspapers. Bidders to keep themselves updated with all such information

Please submit your offer only for the above requirement subject to our **GENERAL INSTRUCTIONS AND STANDARD TERMS & CONDITIONS (Version: June-2021, Rev.06)**. Please visit our site hwr.bhel.com for General Instructions and Standard Terms & Conditions (GISTC) for Tender Enquiries. All the bidders/vendors must ensure compliance of these GISTC. GISTC can also be referred by login to B2B Portal for Registered Vendors.

Tender Fee & EMD (If Applicable) will be submitted in the form of Pay Order / Demand Draft (drawn in favor of 'BHEL HARIDWAR') only. It may be noted that if hard copy of any tender document is required, then the same may be collected against copy of Pay Order / Demand Draft of requisite tender fee (while original to be submitted with Part-I).

TENDER ENQUIRY NO.: X/6620/2022/0461/C

If EMD is not submitted along with the offer, then the offer may not be considered.

For E-Payment, the RTGS details are mentioned as below:

Bank Details	SWIFT Details of bank
STATE BANK OF INDIA RANIPUR BRANCH, OPP: BHEL MAIN GATE, SECTOR-5, RANIPUR, HARIDWAR, UTTRAKHAND, INDIA PIN CODE : 249403	SWIFT NO.: SBININBB225 CC ACCOUNT NO.: 10667995458 IFSC CODE: SBIN0000586

As per notification reference no. NSIC/HO/GP/15(4)/2013-14 dated 07.07.2013 Micro & Small Enterprises (MSEs) are not required to submit Tender fees. A Valid MSE certificate such as Udyog Aadhar (UAN)/Udyam Certificate/NSIC/EM (Part-II) etc. issued from competent authority shall be submitted in support of Micro & Small Enterprises (MSEs).

“As per the OM No. F. No. 1(2)(1)/2016-MA dated. 09.02.2017 issued from the Office of Development Commissioner (Micro, Small & Medium Enterprises), “Traders and agents should not be allowed to avail the benefits extended under the PP Policy.”

Central / State – PSUs / Government departments are exempted from submission of EMD subject to approval by BHEL management.

BHEL will forfeit the EMD if, the successful bidder / vendor refuses to honor the order after award of the same on him and / or withdraws his bid and / or unilaterally changes the offer and / or any of its terms & conditions within the validity period.

INSTRUCTIONS TO BIDDERS FOR SUBMITTING OFFER

TECHNICAL QUALIFICATION: Technical Requirement, Pre-Qualifying Requirements/PQR to be submitted. It is the mandatory requirement. Offer of vendors not meeting these requirements may not be considered.

ESSENTIAL INSTRUCTIONS

The tender shall be **submitted in two parts** in separate cover as described below on or before the due date:

Part I (Cover-1) - Containing the following:

1. Techno -Commercial Bid
2. Tender Fee & EMD (Earnest Money Deposit) Or Valid certificate/Document towards exemption of Tender fee and/or EMD (applicable for Micro and small Enterprises, Central / State – PSUs / Government departments, PMD vendors etc.)

Part II (Cover-2) - Containing Price Bid in attached Format

Bidders against tender will necessarily have to obtain class – III DSCs. Procedure for application available on hwr.bhel.com.

E-Procurement Portal Inputs

Procedure for Submission of Offer for E – Tender-Procedure for Submission of Tender is available in the “Bidder Manual for BHEL Bidders” at E-tender portal <https://eprocurebhel.co.in/nicgep/app> . Terms and conditions mentioned therein shall form integral part of the NIT and bidders shall abide by the same.

Hardware and Software requirements for participating in e-tender

TENDER ENQUIRY NO.: X/6620/2022/0461/C

Please refer the website for the minimum system requirements and setting document for Bidders under the link: <https://eprocurebhel.co.in/nicgp/app>

Digital Signature

To know the procedure for obtaining Digital Signature Certificate (DSC), suppliers who are not having the DSC are advised to visit our website [http://www.bhel.com/home.php/Tender Notifications/Sample Checklist](http://www.bhel.com/home.php/Tender%20Notifications/Sample%20Checklist).

NIC portal Helpdesk Contacts

For any technical related queries please call at 24 x 7 Help Desk Number

0120-4001 002

0120-4200 462

0120-4001 005

0120-6277 787

International bidders are requested to prefix 91 as country code

Email Support

Address: A) For any Issues or Clarifications relating to the published tenders, bidders are requested to contact the respective Tender Inviting Authority

Technical - support-eproc@nic.in

Note

Offers/tenders submitted in the E-tender portal shall only be considered for further evaluation. Offers sent by FAX / E-mail / any mode other than E-tender would not be entertained.

The Tenderers must submit their Tenders, as detailed below:

SPECIAL NOTE: All documents to be submitted should be uploaded in respective places in the E-Tender portal as per the list mentioned given in this NIT. BHEL shall not be responsible for incomplete documents.



Tender No.: X/6620/2022/0461/C

Date: 27.10.2022

SUBJECT: OPEN-TENDER FOR PRE-FAB. M/C & FAB. ONLY OF ACC DUCT ELBOW DIA 8000, ACC DUCT ELBOW TEE DIA 8000, ACC STEAM DUCT WITH PAINTING, PRESERVATION WITH PARTY MATERIAL

Online offers are invited through e-procurement portal <https://eprocurebhel.co.in/nicgep/app> from suppliers for the supply of the items.

TERMS & CONDITIONS FOR RATE CONTRACT

(FABRICATED ACC DUCT ELBOW DIA 8000, ACC DUCT ELBOW TEE DIA 8000, ACC STEAM DUCT WITH PAINTING, PRESERVATION WITH PARTY MATERIAL)

The items' names and drawing nos. mentioned in the enquiry is for **reference only**. Reference drawings are also enclosed for having a general idea of the tender.

1. SCOPE OF WORK: -

1.1 This **Rate Contract** is for Fabrication with Painting and preservation of ACC DUCT ELBOW DIA 8000, ACC DUCT ELBOW TEE DIA 8000, ACC STEAM DUCT as per BHEL drawings conforming to their technical requirements exclusively with Party Material.

Items (for reference only):

Sr. No.	Item Description	Drawing No.	QTY. (in no.)	Tentative Weight(Kg.)	Tolerance in weight
1	ACC DUCT ELBOW DIA 8000	0170997000800	1	86,970	+/- 25%
2	ACC DUCT ELBOW TEE DIA 8000	0170997000900	1	80,700	+/- 25%
3	ACC STEAM DUCT	0170997001700	1	448,422	+/- 25%
				616,092 Kg.	+/- 25%

1.2 Vendor scope includes complete manufacturing of item as per drawing including all NDT requirements, painting & preservation as per drawing.

1.3 Vendor scope also includes any mockup of assemblies, if required in drawing.

1.4 Transportation of items as per shipping list/packing list provided by BHEL to Patratu site is also in the scope of vendor.

1.5 The rate (s) should be quoted in **Rupees/Kg** on F.O.R. Patratu site address (**Ramgarh, Jharkhand – 829119**) basis.

1.6 For this proposed rate contract, **maximum diameter of jobs is 8100 mm**. maximum weight of any single job is approx. **5520 kg**. Maximum dimension is 8600(L) x 8600(W) x 3500(H).

1.7 For any deviation from BHEL manufacturing drawings, vendor to take approval from BHEL, Haridwar before manufacturing of items.

1.8 All special tests viz., UT, RT, HYDRAULIC & KEROSENE etc. are to be performed as per drg.



BHARAT HEAVY ELECTRICALS LIMITED
HEEP HARIDWAR INDIA-PIN 249403
PHONE NO: 01334-285120

.....
requirements.

1.9 Supplier must furnish material test certificates for all the items. Copies of the relevant certificates to be supplied to the BHEL.

1.10 Vendors to ensure:

- A. Vendors must fill in the rate in Rs. per Kg. in the Price Bid format through e-tender.**
- B. Submit duly signed and stamped filled in Annexure –A (Unpriced Bid) & Annexure-B (Terms & Conditions).**

2. VALIDITY: -

This rate contract shall be valid for a period of **ONE YEAR** for issue of orders from the date of release of final contract.

3. SUBMISSION OF OFFERS: -

Open tender is hoisted on the <https://eprocurebhel.co.in/nicgep/app> and no hard copy of document is provided by BHEL, no tender fee shall be insisted upon from the bidders.

The offer is to be submitted in **two parts(Techno-commercial & Price bid)** on NIC portal only on website: <https://eprocurebhel.co.in/nicgep/app>.

BHEL reserves the right to reject any or all the tenders either in full or part thereof without assigning any reasons thereof.

4. DELIVERY DESTINATION & TRANSPORTATION: -
F.O.R. PATRATU SITE

Patratu site address is :

General Manager (Projects) , 3X800 MW Patratu STPP,
Patratu Vidyut Utpadan Nigam Limited,
PO – PTPS, Dist – Ramgarh, Jharkhand – 829119

Vendor to deliver ACC DUCT ELBOW DIA 2800, CONDENSATE COLLECTING MANIFOLD, STEAM DISTRIBUTION MANIFOLD, & MAN HOLE as per shipping list/packing list to Pataratu Site at their own cost.

(NOTE: -Documents required include inspection report, LR/GR copy, GC copy etc.)

5. DELIVERY PERIOD: -

Delivery schedule will start 3 months (90 days) after date of placement of order and will end 5 months (maximum) from placement of order. however, early delivery will be acceptable.



BHARAT HEAVY ELECTRICALS LIMITED
HEEP HARIDWAR INDIA-PIN 249403
PHONE NO: 01334-285120

.....
Detailed delivery condition after PO placement is as follows:

Sr. No.	Item Description	Drawing No.	Tentative Weight(Kg)/ pc	Total QTY (in no.)	Lot(Qty.) for L1 vendor From PO date
1	ACC DUCT ELBOW DIA 8000	0170997000800	86970	1	Lot1 (28990 Kg or 1/3 rd of PO Qty in Kg): 90 days Lot2 (28990 Kg or 1/3 rd of PO Qty in Kg): 120 days Lot3 (28990 Kg or 1/3 rd of PO Qty in Kg): 150 days
2	ACC DUCT ELBOW TEE DIA 8000	0170997000900	80700	1	Lot1 (26900 Kg or 1/3 rd of PO Qty in Kg): 90 days Lot2 (26900 Kg or 1/3 rd of PO Qty in Kg): 120 days Lot3 (26900 Kg or 1/3 rd of PO Qty in Kg): 150 days
3	ACC STEAM DUCT	0170997001700	448422	1	Lot1 (149474 Kg or 1/3 rd of PO Qty in Kg): 90 days Lot2 (149474 Kg or 1/3 rd of PO Qty in Kg): 120 days Lot3 (149474 Kg or 1/3 rd of PO Qty in Kg): 150 days

➤ Delivery is to be made as per packing list/shipping list (in kg.) provided by BHEL.

6. INSPECTION: -

- Inspection by NTPC / PVUNL and BHEL / BHEL nominated inspection agency as per finally, NTPC / PVUNL approved QP only.
All facilities and equipment's, calibrated instruments and standard gauges required for inspection shall be provided by the fabricator during inspection No additional charges will be paid on this account.
Tentative scope of inspection agency shall be as per the **attached sample QP**.
- Identification marks shall be punched on each item by the vendor i.e. Purchase Order No., Drawing No., IR No. etc. Aesthetic appearance is to be maintained as per drg. requirement.
- **Raw material shall be procured from following PVUNL enlisted main steel producers only: -** SAIL, JSW Steel Limited, Jindal Steel & Power, Tata Steel Ltd (for reinforcement steel / TMT bars), RINL (for long products/ rolled sections and Reinforcement steel / TMT bars), Essar Steel India Ltd (for flat products/ Steel plates), Electrosteel Steel Ltd (for Reinforcement steel / TMT bars) and Monnet Ispat and Energy Ltd (for long products/ rolled sections and Reinforcement steel / TMT bars).

In addition to above, the approved sources of plates are:

“SAIL, JSW Steel Limited, Jindal Steel & Power, Tata Steel Ltd, RINL , Essar Steel India Ltd), and Monnet Ispat and Energy Ltd”

- Vendors to submit detailed quality plan in BHEL QP format along with offer, for our review and approval. Sample QP is also attached for reference.
- Vendors whose offer will be techno commercial qualified should submit filled in NTPC/Customer approval SUB-VENDOR QUESTIONNAIRE.



7. **Late Delivery Clause: -**

- Liquidated Damages (LD) for Late Deliveries shall be applicable @0.5% per week or part thereof on the value of respective delayed supplies subject to a maximum of 10% of the value of respective delayed supplies. Value of delayed supplies will mean the Gross Value payable to the vendor (Before LD) against such supplies excluding taxes and duties. The date of LR (Lorry Receipt) would be treated as the date of delivery for penalty purposes.
- **Delivery to be made by vendor to site only after getting MDCC (Material Dispatch clearance certificate) from customer.**
- Vendors should submit all documents required for MDCC to BHEL, HEEP, Haridwar before dispatch to Patratu SITE.
- BHEL will obtain and issue MDCC to vendors, after receipt of all documents from vendors, within 10 days of document completion date. If there is any delay beyond 10 days after receipt of all documents required for MDCC, BHEL will issue PO amendment for the delayed period accordingly. The period of 10 days is inclusive in delivery period.

Detailed terms at clause 9.0 of GISTC Rev. 06, June 2021.

Kindly refer clause number 16 titled "Risk Purchase" for abnormal delays (beyond the maximum late delivery period as per LD clause).

8. **PAYMENT TERMS: -**

100% after receipt & acceptance of item/material at SITE & SRIV clearance, as per following:

- For MSEs (covered under MSME Act) which are registered and periodically renewed with BHEL, the payment will be made within 45 days or as prescribed in the relevant act.
- 100% payment along with taxes, freight & insurance will be made after receipt and acceptance of material and within 75 days from the date of invoice subject to submission of non-discrepant documents within 15 days of supply as per terms and conditions of Purchase Order. In case any discrepancy found in the documents, BHEL will notify the same to vendor within 7 days of receipt. Vendor has to clear all the discrepancies in one go within 7 days thereafter else the payment of vendor may get delayed.
- **Payment may be made as per packing/shipping list for part supply (in kg.) subject to SRIV clearance.**

Detailed terms at clause 10.0 of GISTC Rev. 06, June 2021.

9. **Reverse Auction: -**

"BHEL shall be resorting to Reverse Auction (RA) (Guidelines as available on www.bhel.com) for this tender. RA shall be conducted among the techno-commercially qualified bidders.

Price bids of all techno-commercially qualified bidders shall be opened and same shall be considered for RA. In case any bidder(s) do(es) not participate in online Reverse Auction, their sealed envelope price bid along with applicable loading, if any, shall be considered for ranking."

For detailed terms and conditions of RA guidelines, kindly refer www.bhel.com.



BHARAT HEAVY ELECTRICALS LIMITED
HEEP HARIDWAR INDIA-PIN 249403
PHONE NO: 01334-285120

10. **EVALUATION OF BIDS:**

- Vendors whose offer will be techno commercially qualified should submit filled in NTPC/Customer approval SUB-VENDOR QUESTIONNAIRE. **Their price bid will be opened only when the vendor is the approved by BHEL Customer (ref SUB-VENDOR QUESTIONNAIRE attached with this enquiry).**
- Evaluation of bids will be done **on item wise basis**. Hence, RA will be done on item wise basis. All vendors will be assessed on total cost to BHEL basis that includes freight, taxes, ITC etc.
- In the course of evaluation, if more than one bidder happens to occupy L1 status, effective L1 will be decided by soliciting discounts from respective L1 bidders. In case more than one bidder happens to occupy the L1 status even after soliciting discounts, the L1 bidder shall be decided by toss/draw of lots, in the presence of respective L1 bidder(s) or their representative(s). Ranking will be done accordingly. BHEL's decision in such situation shall be final and binding.

11. **GUARANTEE CERTIFICATE: -**

The vendor shall warrant that the supplied fabricated assemblies comply fully with the drawings and other technical conditions. If the fabrications/items are found defective owing to faulty workmanship/incomplete work within a period of eighteen (18) months from Supply completion date.

Supply completion date shall be reckoned from the actual date of last supply made by the vendor (date of LR) for the quantities awarded (in terms of number(s) as detailed at clause 6 above).

During guarantee period, the vendor shall make good of items/replace the same free of cost. Alternatively, the rework/replacement charges may be recovered.

12. **RECTIFICATION: -**

Any defect (noticed at SITE) arising out of the fabrication/machining done by the Sub-Contractor, will have to be rectified or items replaced by the sub-contractor within 10 days of intimation of same at their own cost. Otherwise BHEL will be free to take necessary action as deemed fit and consequence/cost of the same will be to subcontractors' account.

13. **GST: -**

As per clause 11.0 of GISTC (attached). **At present GST rate applicable for this enquiry will be 18 %.** However, it will be as applicable as per Govt. guidelines/circulars.

14. **GENERAL INSTRUCTIONS: -**

- 14.1. No further sub-contracting to third party or sister concern by the sub-contractor is allowed Without prior permission of BHEL. If found guilty, will be debarred.
- 14.2. BHEL reserves the right to suspend/cancel the PO/Enquiry unilaterally without any financial repercussions, if Sub-contractor's performance is not found to be satisfactory.
- 14.3. BHEL reserves the right to revise the drawing after placement of purchase order. The prices in the purchase order will be amended according to revised drawing.
- 14.4. Please refer general instructions and standard terms & conditions (GISTC) for bidding against tender enquiry (version June-2021, Rev:06) the bidder/vendor must ensure compliance of these GISTC (version June-2021, Rev:06). Please refer <https://hwr.bhel.com>.
- 14.5. **MSE suppliers are exempted for submission of EMD & Tender Fee.**



BHARAT HEAVY ELECTRICALS LIMITED
HEEP HARIDWAR INDIA-PIN 249403
PHONE NO: 01334-285120

.....
14.5.1. Central / State – PSUs / Government departments are exempted from submission of EMD subject to approval by BHEL management.

14.6. Documents submitted with the offer/bid by the bidder should be signed and stamped in each page by authorized representative of the bidder.

14.7 PQR required documents is to be submitted along with the Techno- Commercial offer (PART-I).
Note :- Offer shall be entertained only after submission of duly filled, signed and stamped PQR and relevant documents.

14.8 Vendor Contract clause regarding GST ITC and provision for E-Invoices:

- I. E-Invoicing under GST is being implemented w.e.f. 01.04.2022 for all the taxable persons having turnover more than Rs. 10 Cr. It has been specified by the Govt. that it is mandatory to mention a valid unique Invoice Reference No. (IRN) and QR code as generated from Govt. portal on a Tax Invoice. Based on such information, GST ITC as claimed by BHEL in GST Returns shall be matched with the corresponding details uploaded by supplier in E-Invoicing System.
- II. In case the vendor /contractor delays or fails to provide all the documents as per the Purchase order / Work Order at the time of submitting Tax invoice to BHEL, any subsequent financial loss to BHEL on account of vendor/contractor shall be to vendor's / contractor's account. BHEL has further right to take necessary steps to protect its interest at the time of release of payment. This further requires inclusion of IRN and QR code on tax invoice as announced by Govt. of India w.e.f. 01.10.2020.

14.9 In case of ordering against the tender, vendor should submit their invoices against goods and services immediately after supply of goods & services but not later than 30 days from the invoice date. In case of delay, consequential losses like loss of input credit and non-availability of concessional forms etc. shall be to the vendor account.

14.10 The bidders against open tender will necessarily have to obtain class – III DSCs(Digital signature). Procedure for application is available on hwr.bhel.com.

14.11 **Following MSE conditions shall be followed: -**

MSE Suppliers can avail the intended benefits only if they submit along with the offer, attested copies of UDYAM Certificate.

Detailed MSE conditions is at clause no. 13.0 of GISTC Rev. 06, June 2021.

*** Govt. guidelines will supersede all clauses of this tender for MSE benefits to vendor(s).**

15 Integrity Pact (IP)

- (a) IP is a tool to ensure that activities and transactions between the Company and its Bidders/ Contractors are handled in a fair, transparent and corruption free manner. Following Independent External Monitors (IEMs) on the present panel have been appointed by BHEL with the approval of CVC to oversee implementation of IP in BHEL:



BHARAT HEAVY ELECTRICALS LIMITED
HEEP HARIDWAR INDIA-PIN 249403
PHONE NO: 01334-285120

SI	IEM	Email
1.	Shri Otem Dai, IAS (Retd.)	iem1@bhel.in
2.	Shri Bishwamitra Pandey, IRAS (Retd.)	iem2@bhel.in
3.	Shri Mukesh Mittal, IRS (Retd.)	iem3@bhel.in

(b) **The IP as enclosed with the tender is to be submitted (duly signed by authorized signatory) along with techno-commercial bid (Part-I, in case of two/ three part bid).**

Only those bidders who have entered into such an IP with BHEL would be competent to participate in the bidding. In other words, entering into this Pact would be a preliminary qualification.

(c) Please refer Section-8 of IP for Role and Responsibilities of IEMs. In case of any complaint arising out of the tendering process, the matter may be referred to any of the above IEM(s). All correspondence with the IEMs shall be done through email only.

Note:

No routine correspondence shall be addressed to the IEM (phone/ post/ email) regarding the clarifications, time extensions or any other administrative queries, etc on the tender issued. All such clarification/ issues shall be addressed directly to the tender issuing (procurement) department's officials whose contact details are provided below:

Details of contact person(s):

(1)

Name: R. R. Singh, Sr. Engineer

Deptt: AIX-F (FBM)

Address: BHEL HEEP Haridwar

Phone: (Landline)

01334-285120/281501

Email: rarsingh@bhel.in

16 Risk Purchase: -

In case of abnormal delays (beyond the maximum late delivery period as per LD clause) in supplies / defective supplies or non-fulfillment of any other terms and conditions given in Purchase Order, BHEL may cancel the Purchase Order in full or part thereof, and may also make the purchase of such material from elsewhere / alternative source at the risk and cost of the supplier. BHEL will take all reasonable steps to get the material from alternate source at optimum cost. If bidder does not agree to the above Risk Purchase Clause, BHEL reserves the right to reject the offer. In case for compelling reasons BHEL accepts the offer without acceptance of this clause by the bidder and in the eventuality of Risk Purchase, appropriate action will be taken as per BHEL extant rules. This will be without prejudice to any other right of BHEL under the contract or under General Law

Action against Bidders / vendor / supplier / contractor in case of default:

In order to protect the commercial interests of BHEL, BHEL shall take action against supplies / contractors by way of suspension of business dealings, who either fail to perform or are in default without any reasonable cause, cause loss of business/ money/ reputation, indulge in malpractices, cheating, bribery, fraud or any other misconduct or formation of cartels so as to influence the bidding process or influence the price etc.



BHARAT HEAVY ELECTRICALS LIMITED
HEEP HARIDWAR INDIA-PIN 249403
PHONE NO: 01334-285120

- Suspension of Business Dealings could be in the form of “Hold” or “Banning” a supplier/ contractor or a bidder and shall be as per “Guidelines for Suspension of Business Dealings with Suppliers/ Contractors” available at BHEL’s website “<https://www.bhel.com/guidelines-suspension-business-dealings-supplierscontractors>”
- **Against vendor’s replies, BHEL reserves the right to ask for more information/ documents / clarifications. Vendor’s offer shall not be considered if vendor fails to furnish the document / information / clarifications as mentioned above or doesn’t meet the acceptance criteria. Time period for technical/commercial clarification is 3 days.**
- Amendments/Corrigendum, if any, will be hosted on designated web site/ GePNIC Portal only. Other terms and conditions will be as per tender documents.
- Any vendor who is under hold (for the item)/ delisted/ banned with BHEL on date of opening of Part – 1 will not be allowed to quote for this tender. In case their offer is received, it may be out rightly rejected.
- In view of Covid-19 and present situation, the Tender Documents, Drawings, P.O copy etc. shall be sent by e-mails and shall not be sent in hard copies. Vendors to kindly note that the details sent by e-mail shall be considered for delivery against the finalized contract(s)/ P. O’s placed.

****OFFERS SHALL BE ADMITTED THROUGH GePNIC PORTAL <https://eprocurebhel.co.in/nicgep/app> ONLY**



Annexure – A (Unpriced bid)

FABRICATION OF ACC DUCT ELBOW DIA 8000, ACC DUCT ELBOW TEE DIA 8000, ACC STEAM DUCT WITH PAINTING, PRESERVATION WITH PARTY MATERIAL

Sl. No.	Item Description	Drawing No.	Quoted/Not Quoted (Price Not to be quoted here)
1	ACC DUCT ELBOW DIA 8000	0170997000800	
2	ACC DUCT ELBOW TEE DIA 8000	0170997000900	
3	ACC STEAM DUCT	0170997001700	

Note: Kindly do not quote any price in this annexure.

Authorised Signature:

(with date & seal of company)

Name of Supplier: -



TERMS AND CONDITIONS FOR Enquiry No.X/6620/2022/0461/C (Annexure-B)

SL.	TERMS	VENDOR'S ACCEPTANCE/ REMARKS
1	Scope of Work: PRE-FAB. M/C & FAB. ONLY and WITH PAINTING & PRESERVATION is to be carried out by the vendor as per Drawing/Standard, QP and Technical requirements (clause no. 1 of Terms and Conditions of Enquiry)	
2	Validity of rate Contract: The Rate Contract shall be valid for 1(one) Year from the date of award.(clause no. 2 of Terms and Conditions of Enquiry)	
3	Submission of offers: (clause no. 3 of Terms and Conditions of Enquiry)	
4	Delivery&Transportation: Quoted rates are on F.O.R. PATRATU SITE.(clause no. 4 of Terms and Conditions of Enquiry)	
5	Delivery schedule: Delivery Start date 90 days from the date of PO placement.(clause no. 5 of Terms and Conditions of Enquiry)	
6	Inspection: Inspection shall be done as per clause no. 6 of Terms and Conditions of Enquiry.	
7	Penalty Clause: LD clause is applicable@0.5% per week or part thereof with a maximum limit of 10% of the delayed portion of the PO.(clause no. 7 of Terms and Conditions of Enquiry)	
8	Payment Term: 100% after receipt & acceptance (SRIV clearance) of item/material (clause no. 8 of Terms and Conditions of Enquiry)	
9	Reverse Auction: We accept Reverse Auction(RA) clause as per standard policy of BHEL (clause no. 9 of Terms and Conditions of Enquiry)	
10	EVALUATION OF BIDS: as per clause no. 10 of Terms and Conditions of Enquiry.	
11	GC: Guarantee Certificate shall be valid for 18 months from receipt of material. (clause no. 11 of Terms and Conditions of Enquiry)	
12	RECTIFICATION: We have read and accept clause 12 of T & C of Enquiry.	
13	GST: GST (Presently 18% for this enquiry) shall be applicable against documentary proof. Input Tax Credit shall be applicable and BHEL can claim benefit as per clause 13 of T & C of enquiry.	
14	General T&C: We have read clause no. 14 of terms and conditions of Enquiry and confirm to abide the same.(Clause 14.1 to 15.11)	
15	Integrity Pact: We have read and submitted the integrity pact (duly filled and signed & stamped as per Annexure) as per standard policy of BHEL (clause no. 15 of Terms and Conditions of Enquiry)	
16	Risk Purchase: We accept Risk Purchase clause as per clause no. 16 of Terms and Conditions of Enquiry.	
17	MSE: We are MSE vendor and have submitted Udyam Certificate against this enquiry.(if applicable)	
18	MII: We have submitted Make in India certificate (duly filled and signed as per Annexure).	
19	Rates have been quoted in indian Rupees on per Kilo Gram basis.	

Note: BHEL reserves the right to reject any or all the offers (on techno-commercial ground) without assigning any reason thereof.

(Vendor's signature with Stamp)

PQR

Item : ACC Duct Elbow, ACC duct elbow TEE, ACC Steam Duct
(Partatu: drg: 01709970008-00,01709970009-00,01709970017-00)

PRE-QUALIFICATION REQUIREMENT

01.00	TECHNICAL REQUIREMENT	Required	Vendor's Offer
01.01	Experience: Vendors should have experience of fabricating (cutting/bending/assembly/welding/pre-fabrication machining) and supplying of atleast 1 no. Duct/Duct elbow/Duct elbow TEE or equivalent components in last 7 years from the date of enquiry as per following details: i) Dimensions of job: Diameter=4000 mm and Length= 3000 mm and above.	Vendor to Comply & submit suitable evidence including technical specifications, drawings etc.	
01.02	Facility: i) Lifting facility and capacity at vendor works should EOT crane 6 Tons and above. ii) Vendor must have levelled bed plate having size : Length/height= 4000mm, Dia./Breadth=8600mm and above to fabricate the job ((Either machined bed plate or bed plate constructed by steel plates is allowed but concrete floor not allowed). iii) Vendor must have rolling/bending facility to bend/roll cylinder of thickness 14mm or above with width 2500mm or above. (iv) Vendor must have suitable WPS/PQR and qualified welders for welding approved by third party and submit documentary evidence with offer. (v) Vendor must have cutting facility to cut plate of thickness 30mm and above.	Vendor to Comply & submit suitable evidence including technical specifications, technical brochure, photographs etc. of the facilities.	
01.03	Vendor to furnish certificate or documentary evidence against clause 01.01 from the customer / company or end user duly confirming that fabricated Duct/Duct elbow/Duct elbow TEE or equivalent job was supplied and used for Hydro Pump or turbine/power plant/capital goods/infrastructure application OR Vendor to submit documentary evidence as per clause 1.04.	Vendor to Comply & submit suitable documents	
01.04	Vendor to furnish name of customer/company with complete contact details and month /year of previous supply along with copy of PO, type of manufacturing facility used for fabrication (assembly/welding/pre-fabrication machining), supply documents, Payment details(invoice copy) and inspection documents of supplied Duct/Duct elbow/Duct elbow TEE or equivalent.	Vendor to Comply & submit suitable documents	
01.05	All PQR documents are to be stamped and signed in original by Vendor. In case documents and official stamp is in language other than English, documents and details of official stamp are to be translated in English and duly certified by Government agency/approved agency of Government/Embassy.	Vendor to Comply & submit suitable documents	
01.06	BHEL reserves the right to verify the information provided by vendor. In case the information provided by vendor is found to be false/ incorrect, their offers shall be rejected.	Vendor to agree	
NOTE: PQR is not restrictive			

10/10/2022
[Rev: Deshwal
Sr. Mgr (WTK)]

Santosh
12/10/22
[Santosh Kr Goyal
Mgs/WTK]

BSA
17-10-2022
[BSA
AGW]

MANUFACTURING QUALITY PLAN															
ITEM-		QP. NO. :-									Page No. 1 of 1				
SUB SYSTEM:- Drawing No:-															
SL. NO.	COMPONENTS/OPERATION	CHARACTERISTICS/CHECK	CLASS	TYPE/ METHOD OF CHECK	QUANTUM OF CHECK	REFERENCE DOCUMENT	ACCEPTANCE NORMS	FORMAT OF RECORD	AGENCY	REMARKS					
1	2	3	4	5	M	C/N	7	8	9	D*	M	C	N	11	
A	RAW MATERIAL														
A.1	Structural Steel, Section, Bars etc.	Dimension Chemical Composition Mechanical Properties Internal Flaw (UT on Plate > 40mm Thk)	Major Major Major Major	Meas. Lab Test Lab Test UT Report	100% 1/Heat 1/Heat 100%	Approved Drg./Tech. Spec. ASTM A578 Level B-52	Approved Drg./Tech. Spec.	IR TC TC UT Report	P V V P V V P V V	Co-related Mill TC to be submitted for review. Refer note 1 and 2. Direct procurement from NTPC approved sources.					
B	INSPECTION- IN PROCESS														
B.1	Marking, Cutting and Preparation	Completeness Dimension	Major Major	Visual & Measurement Measurement	100% Random										
B.2	Rolling and Fit-up	Rolling Process Edge Preparation Fit-Up Dimensions	Major Major Major Major	Visual & Dimensional Visual Visual Meas.	100% 100% 100% 100%	Approved Drg./Tech. Spec.	Approved Drg./Tech. Spec.	IR IR IR IR IR	P V V P V V P V V						
B.3	Welding	WPS, PQR, WPQ Size Weld Defects i) Butt Weld ii) Fillet Weld iii) Heat Treatment	Major Major Major Major	Review Meas. UT DPT DPT HEAT Treatment	100% 100% 10% 100% 100% 10% 10%	ASME Sec IX Approved Drg./Tech. Spec.	ASME Sec IX ASME Sec VIII Div. 1 Appendix 12 ASME Sec VIII Div. 1 Appendix 8 ASME Sec VIII Div. 1 Appendix 8 ASME Sec VIII Div. 1 Appendix 8 ASME Sec VIII Div. 1 Appendix 8	Record IR UT Report PT Report PT Report SR Report	P V V P W V P W V P R R P W V P W V	WPS shall be approved by BHEL & welders qualified by BHEL or BHEL appointed TPA like BVQI, Lloyds, TUV shall be deployed for welding. If fitting lugs are to be welded to ducts for site erection, 100% DPT will be carried out for even fillet weld.					
C	FINAL INSPECTION	Completeness Dimensions Match Marking Identification	Major Major Major Major	Visual Meas. Visual Visual	10% 100% 100% 100%	Approved Drg./Tech. Spec.	Approved Drg./Tech. Spec.	IR IR IR IR	P W W P W W P W W						
D	TRIAL ASSEMBLY FOR LARGE SIZE DUCTS	Orientation Dimensions Match Marking	Major Major Major	Visual & Measurement Random	100% 100%	Approved Drg./Tech. Spec.	Approved Drg./Tech. Spec.	IR IR	P W W	Large size ducts shall be sent to site in parts after rolling and fit-up shall be done at site. The checks random 10% witness for trial assembly at shop/site accordingly					
E	SURFACE PREP. & PAINTING	Visual & Measurement	Major	Random	100%	Approved Drg./Tech. Spec.	Approved Drg./Tech. Spec.	IR & Paint Report	P V V						
MFD. SUB SUPPLIER		MAIN SUPPLIER		LEGEND:- *RECORDS/IDENTIFICATION WITH "TICK" (V) SHALL BE ESSENTIALLY INCLUDED BY SUPPLIER IN QA DOCUMENTATION. **M:-MANUFACTURER/SUB-SUPPLIER, C:-MAIN SUPPLIER, N:-NTPC, P:-PERFORM, W:-WITNESS AND V:-VERIFICATION AS APPROPRIATE, CHP:NTPC SHALL IDENTIFY IN COLUMN "N" AS "W"									DOC. NO:		
SIGNATURE				FOR NTPC USE									REVIEWED BY	APPROVED BY	APPROVAL SEAL

Note-1 : Rolled sections shall be of grade designation E250 Quality A/BR semi killed/killed conforming to IS 2062. All steel plates shall be of grade designation E250, Quality BR (fully killed), conforming to IS 2062 and shall pass the impact test value at room temperature. Plates beyond 12mm thickness and upto 40mm thickness shall be normalized rolled. Plates beyond 40mm thickness shall be vacuum degassed furnace normalized and shall also be 100% ultrasonically tested as per ASTM-A578 level B-52. (FOR MILD STEEL)

Note-2 : Rolled sections shall be of grade designation E350 Quality BO (Fully Killed) conforming to IS 2062. Plates beyond 12mm thickness and upto 40mm thickness shall be normalized rolled. Plates beyond 40mm thickness shall be vacuum degassed furnace normalized and shall also be ultrasonically tested as per ASTM-A572 level B-52. (FOR MEDIUM AND HIGH TENSILE STEEL)



Checked by: _____
 Date: _____
 Manufacturing Quality Control Department



CORPORATE QUALITY ASSURANCE

SUB-VENDOR QUESTIONNAIRE

i.	Item/Scope of Sub-contracting	
ii.	Address of the registered office	Details of Contact Person (Name, Designation, Mobile, Email)
iii.	Name and Address of the proposed Sub-vendor's works where item is being manufactured	Details of Contact Person: (Name, Designation, Mobile, Email)
iv.	Annual Production Capacity for proposed item/scope of sub-contracting	
v.	Annual production for last 3 years for proposed item/scope of sub-contracting	
vi.	Details of proposed works	
1.	Year of establishment of present works	
2.	Year of commencement of manufacturing at above works	
3.	Details of change in Works address in past (if any)	
4.	Total Area	
	Covered Area	
5.	Factory Registration Certificate	Details attached at Annexure – F2.1
6.	Design/ Research & development set-up (No. of manpower, their qualification, machines & tools employed etc.)	Applicable / Not applicable if manufacturing is as per Main Contractor/purchaser design) Details attached at Annexure – F2.2 (if applicable)
7.	Overall organization Chart with Manpower Details (Design/Manufacturing/Quality etc)	Details attached at Annexure – F2.3
8.	After sales service set up in India, in case of foreign sub-vendor (Location, Contact Person, Contact details etc.)	Applicable / Not applicable Details attached at Annexure – F2.4
9.	Manufacturing process execution plan with flow chart indicating various stages of manufacturing from raw material to finished product including outsourced process, if any	Details attached at Annexure – F2.5
10.	Sources of Raw Material/Major Bought Out Item	Details attached at Annexure – F2.6



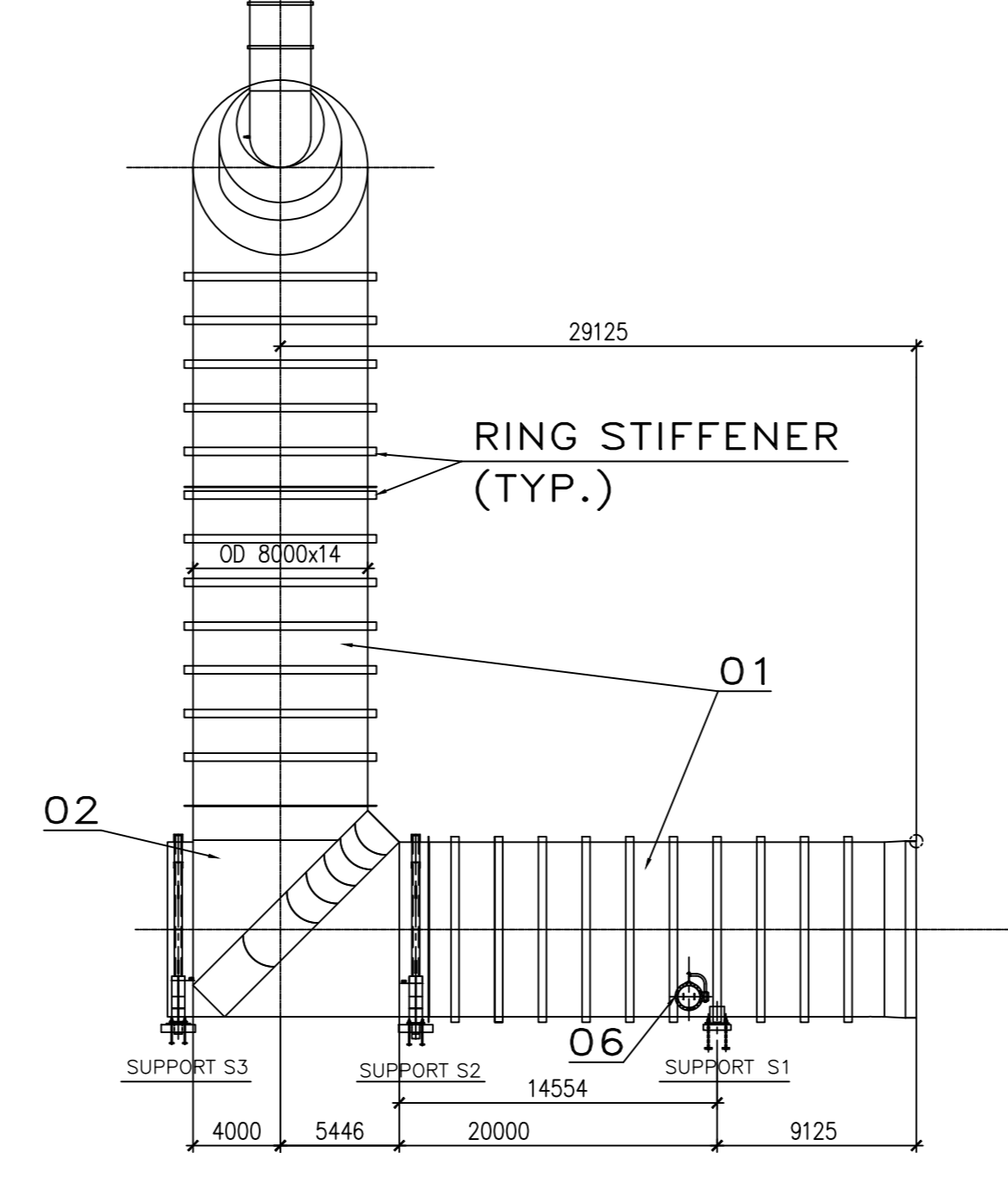
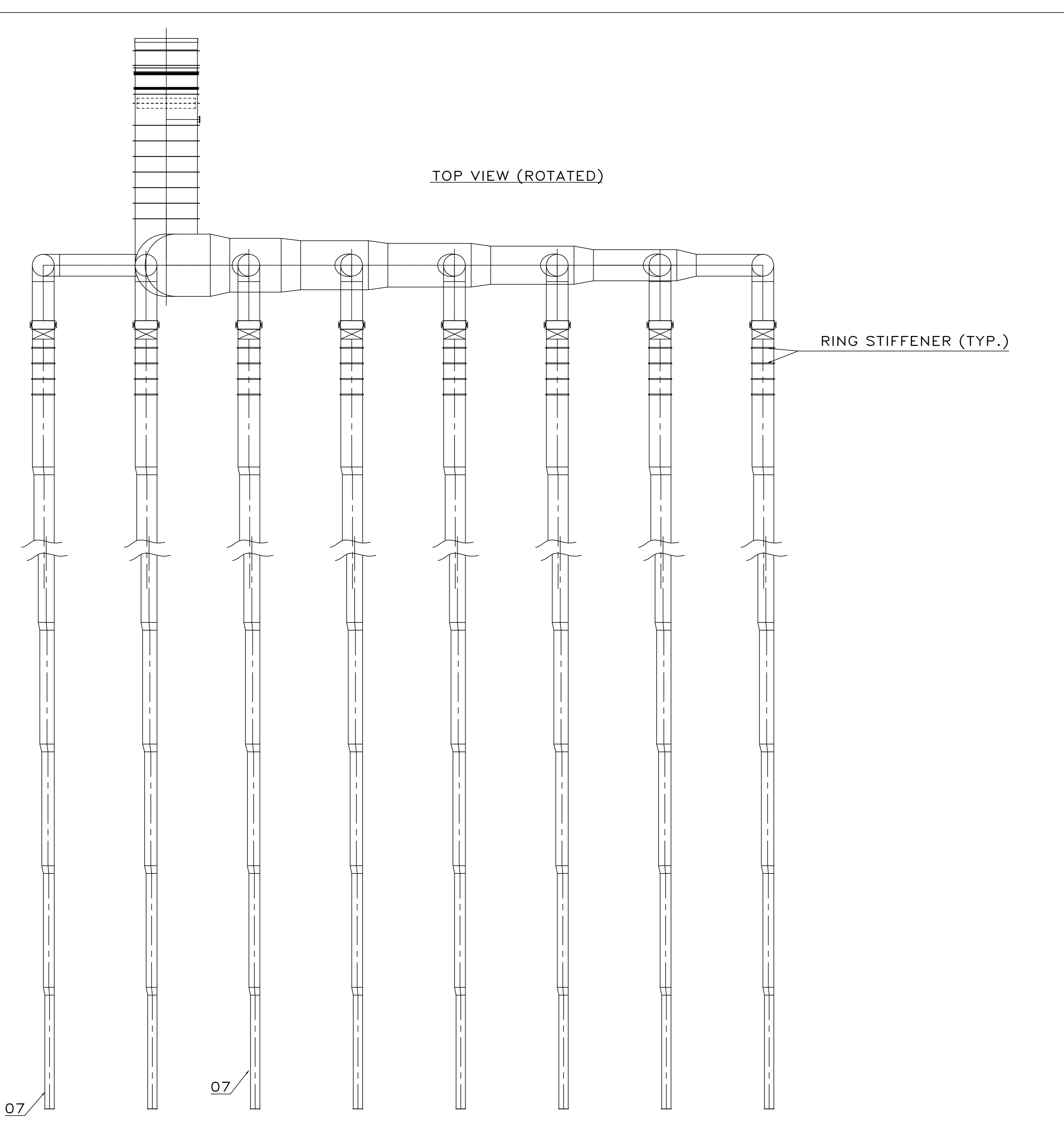
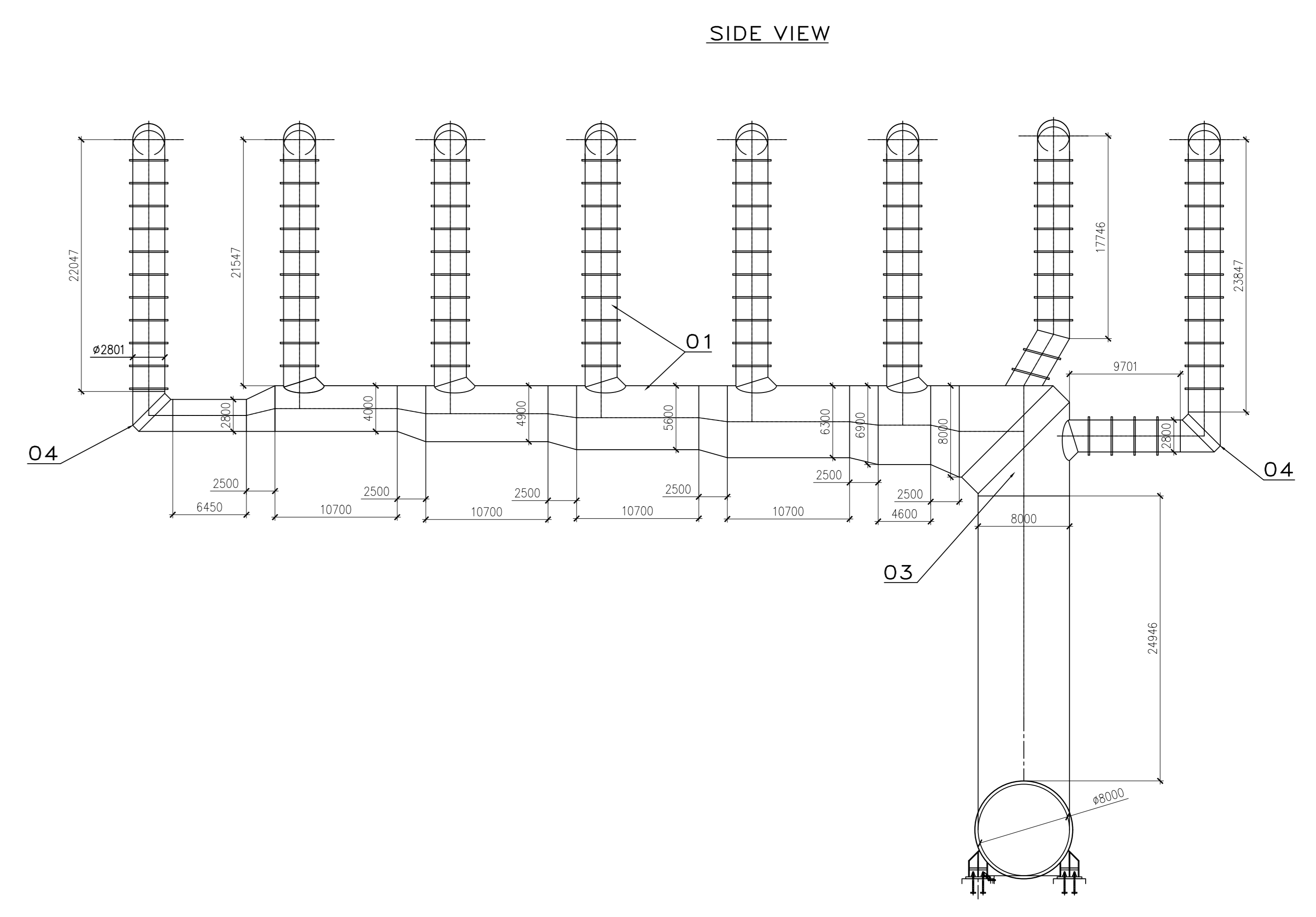
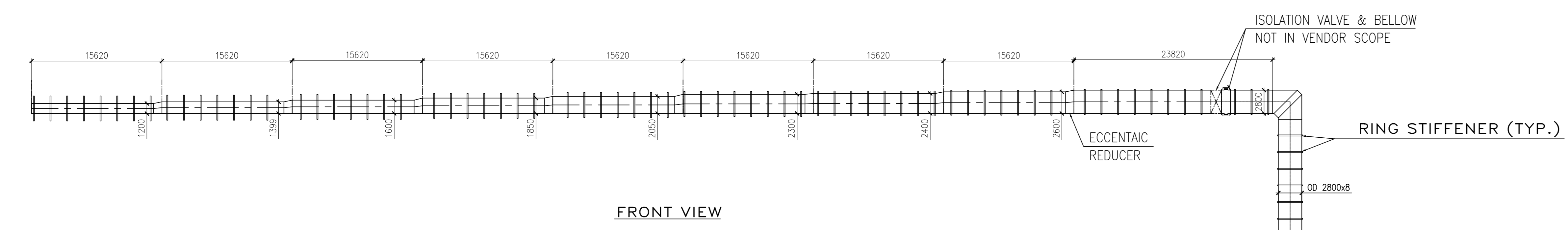
CORPORATE QUALITY ASSURANCE

SUB-VENDOR QUESTIONNAIRE

11.	Quality Control exercised during receipt of raw material/BOI, in-process , Final Testing, packing			Details attached at Annexure – F2.7		
12.	Manufacturing facilities (List of machines, special process facilities, material handling etc.)			Details attached at Annexure – F2.8		
13.	Testing facilities (List of testing equipment)			Details attached at Annexure – F2.9		
14.	If manufacturing process involves fabrication then-			Applicable / Not applicable		
	List of qualified Welders			Details attached at Annexure – F2.10		
	List of qualified NDT personnel with area of specialization			(if applicable)		
15.	List of out-sourced manufacturing processes with Sub-Vendors' names & addresses			Applicable / Not applicable Details attached at Annexure. –F2.11 (if applicable)		
16.	Supply reference list including recent supplies			Details attached at Annexure – F2.12 (as per format given below)		
<i>Project/ package</i>	<i>Customer Name</i>	<i>Supplied Item (Type/Rating/Model /Capacity/Size etc)</i>	<i>PO ref no/date</i>	<i>Supplied Quantity</i>	<i>Date of Supply</i>	
17.	Product satisfactory performance feedback letter/certificates/End User Feedback			Attached at annexure - F2.13		
18.	Summary of Type Test Report (Type Test Details, Report No, Agency, Date of testing) for the proposed product (similar or higher rating) Note:- Reports need not to be submitted			Applicable / Not applicable Details attached at Annexure – F2.14 (if applicable)		
19.	Statutory / mandatory certification for the proposed product			Applicable / Not applicable Details attached at Annexure – F2.15 (if applicable)		
20.	Copy of ISO 9001 certificate (if available)			Attached at Annexure – F2.16		
21.	Product technical catalogues for proposed item (if available)			Details attached at Annexure – F2.17		
Name: _____						
Disig: _____		Sign: _____		Date: _____		

Company's Seal/Stamp:-

L0002660210



LIST OF DRAWINGS (SUB-ASSEMBLY)

ITEM NO.	DESCRIPTION	DRAWING NO.	QTY.	WT.(kg.)
01	ACC STEAM DUCT	01709970017-00	01	4,48,422
02	ACC DUCT ELBOW TEE #8000	01709970009-00	01	80,700
03	ACC DUCT ELBOW #8000	01709970008-00	01	56,970
04	ACC DUCT ELBOW #2800	01709970010-00	10	39,958
05	CONDENSATE COLLECTING MANFOLD	01709970018-00	08	2,08,414
06	MAN HOLE	21709970099-00	09	3,015
07	STEAM DISTRIBUTION MANFOLD (LEFT AND RIGHT)	01709970019-00	08	6,45,383
TOTAL				15,12,833

- TECHNICAL REQUIREMENTS:-**
- WELDING CLASSIFICATION GROUPS ACCORDING TO HW 0620099 CS/BK.
 - PAINTING ON OUTSIDE SURFACES:
 - (i) PRIMER PAINT: EPOXY BASED ZINC RICH PRIMER - 1 COAT - DFT 50 MICRON.
 - (ii) INTERMEDIATE PAINT: EPOXY TiO2 PIGMENTED POLYAMIDE CURED PAINT - 1 COAT - 50 MICRON.
 - BUTT WELDS SHALL BE SUBJECTED TO 100% DPT AND 10% UT/RT. FILLET WELDS SHALL BE SUBJECTED TO 10% DPT.
 - THE GENERAL TOLERANCE ON STRAIGHTNESS, FLATNESS AND PARALLELISM SHALL BE MAINTAINED AS PER AA0621105 GRADE-F.
 - UNLESS OTHERWISE STATED EDGE PREPARATION OF WELD JOINTS SHALL BE AS PER AA0620502.
 - (a) DIAMETER TOLERANCES
 - At ends: Da 2800 mm - 4900 mm = ±7 mm
 - Da 4900 mm - 6300 mm = ±8 mm
 - Da 6300 mm - 8100 mm = ±10 mm
 - (b) ADMISSIBLE OVALITY
 - At ends: Da 2800 mm - 4900 mm x = 14 mm
 - Da 4900 mm - 6300 mm x = 16 mm
 - Da 6300 mm - 8100 mm x = 20 mm
 - (c) ADMISSIBLE OBLATENESS
 - Da ≤ 9220 mm q = 6 mm
 - TRIAL ASSEMBLY OF INTER FACING PARTS TO BE DONE AT VENDOR WORKS FOR 10% OF COMPONENTS FOR LARGE ITEMS (NO. 1,2,3)
 - DRAWINGS PROVIDED ARE INDICATIVE ONLY. FINAL DRAWINGS WILL BE PROVIDED AT THE TIME OF ORDERING.
 - FABRICATION WEIGHT IS INCLUSIVE OF TECHNOLOGICAL SUPPORTS / STIFFENERS.
 - DUCT MAY BE SUPPLIED IN ONE TO THREE PIECES DEPENDING UPON DIAMETER AS FOLLOWS. DIA UP TO 2500MM: SINGLE PIECE, DIA 2500 TO 5500 MM: TWO PIECES DIA MORE THEN 5500 MM: THREE PIECES.
 - PROPER LOCKING OF CIRCULAR DUCT PARTS SHALL BE ENSURED IN SUCH A WAY THAT CURVATURE IS INTACT DURING TRANSPORTATION AND HANDLING AT SITE. TECHNOLOGICAL SUPPORTS / STIFFENERS TO BE PROVIDED FOR THIS.

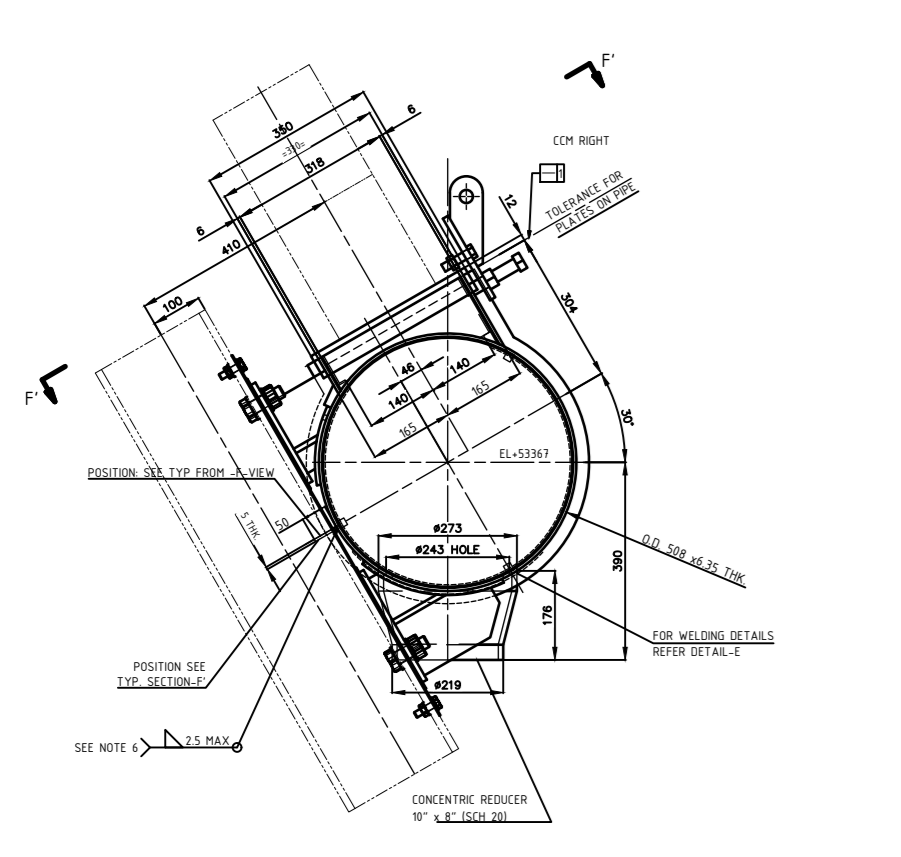
MATERIAL

PLATES -	IS2062.E250 BR
PIPE -	SA 106 GR B/SA 53
FASTENER -	CLASS 8.8
SS SHEET -	SS 304 (2 MM)
TECHNOLOGICAL SUPPORT -	CS PIPE

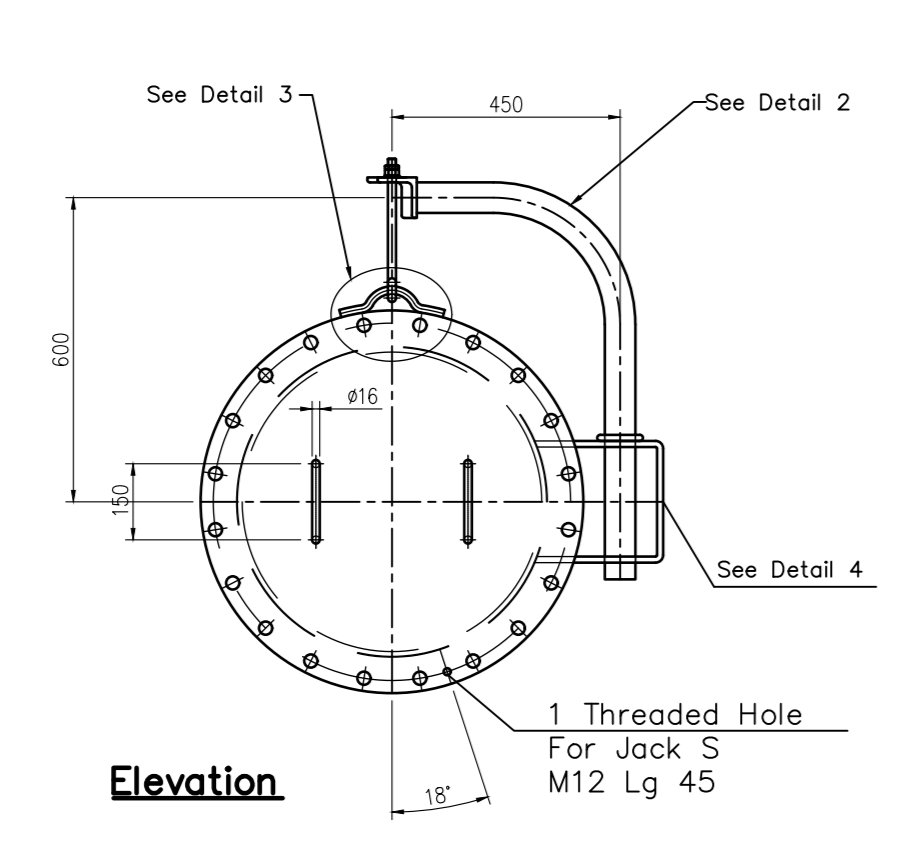
FABRICATION WEIGHT :- 15,12,833 KG.

REMARKS :-
1. BELLOW & ISOLATION VALVE NOT IN VENDOR SCOPE.

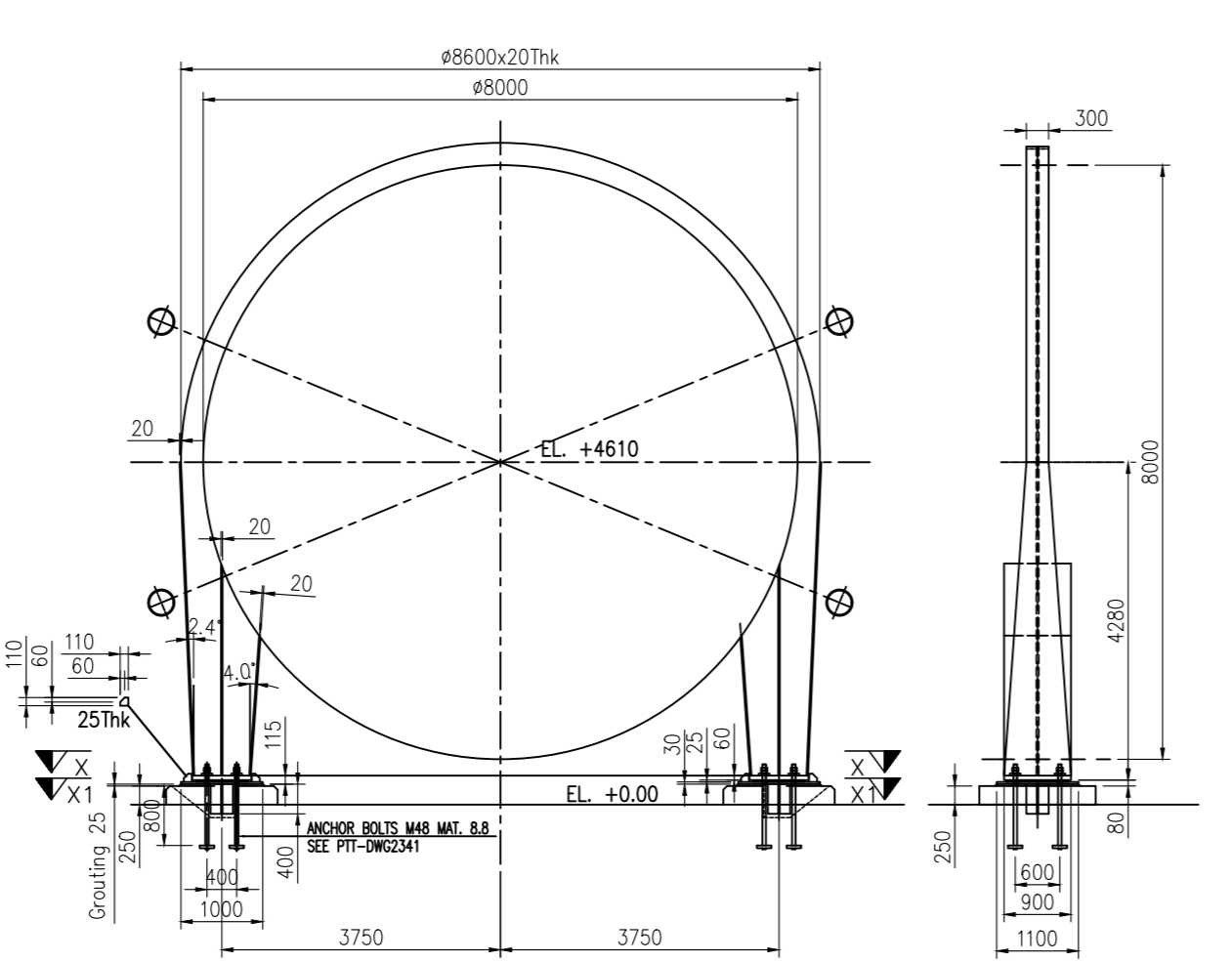
CONDENSATE COLLECTION MANIFOLD ITEM NO.5



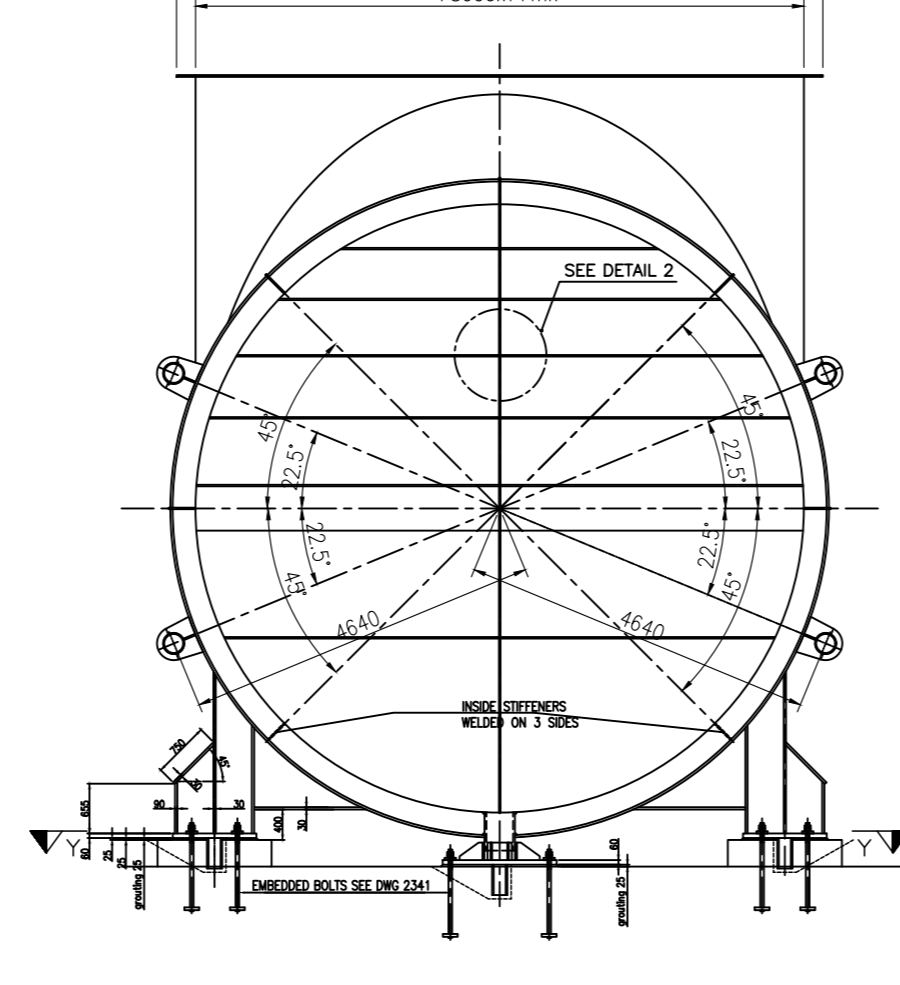
MANHOLE ITEM NO.6



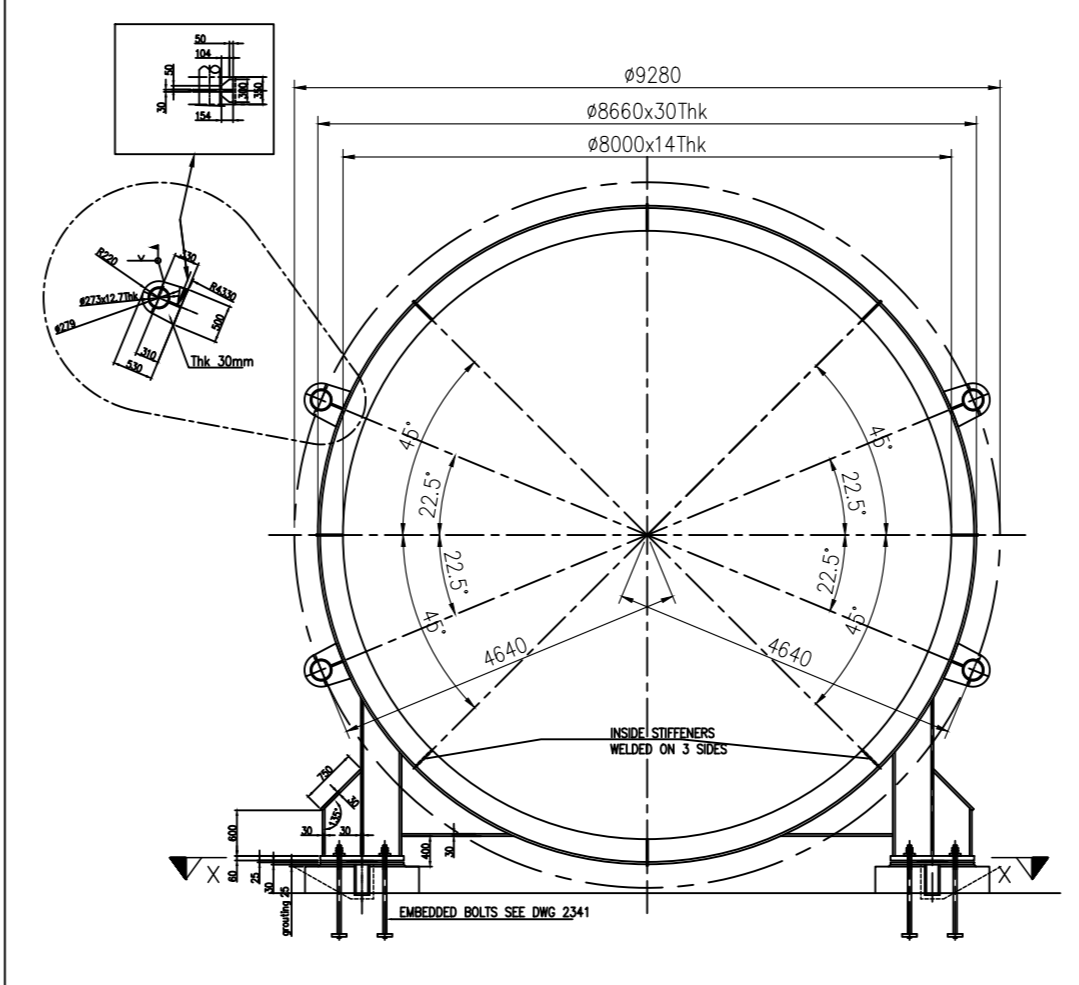
SUPPORT S1



SUPPORT S2

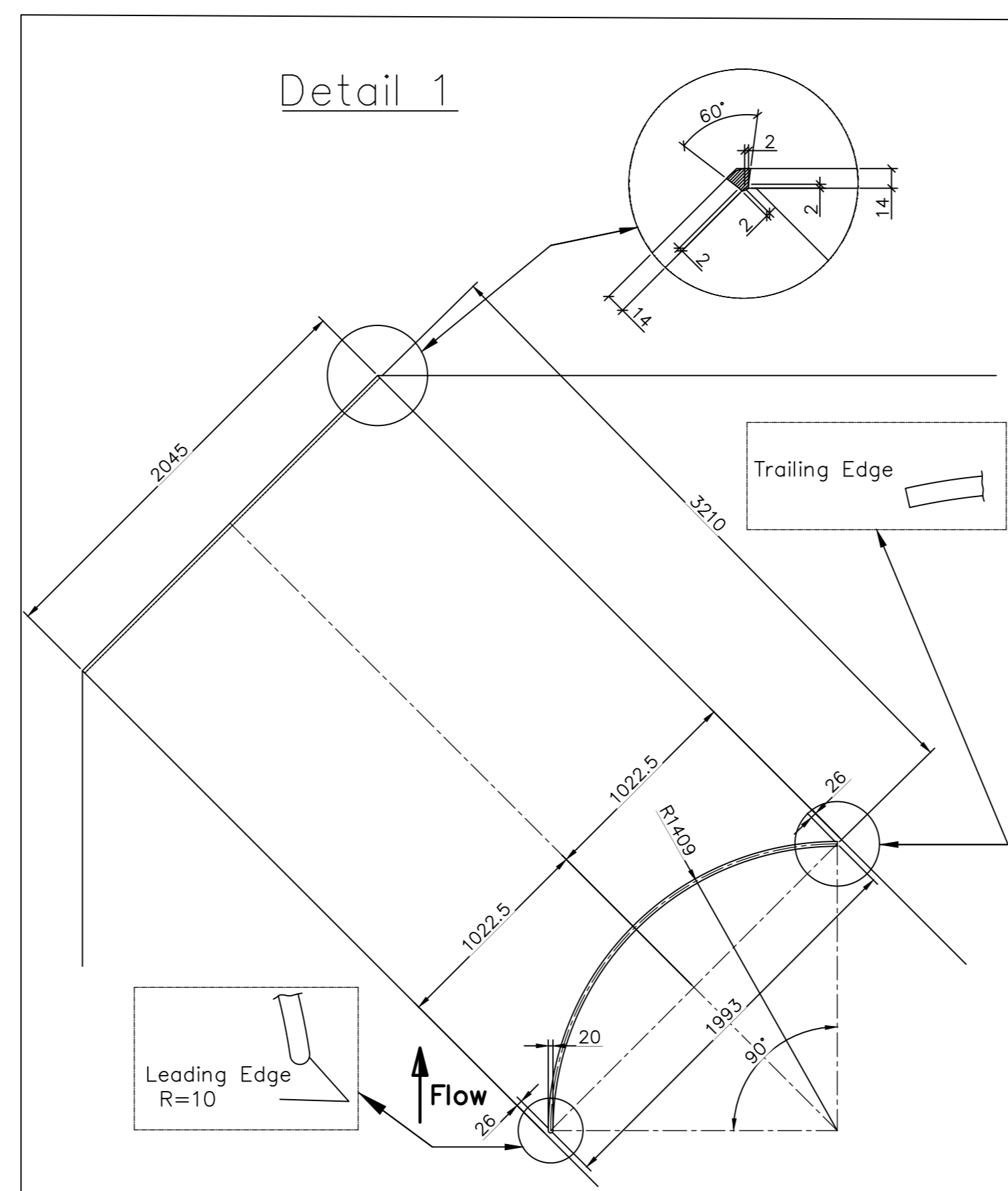


SUPPORT S3



CBOM NO. 01709970007	STATUS U	TYPE OF PRODUCT OR NAME OF CUSTOMER/ PROJECT	3x800 MW ACC, PATRATU
DESIGNER NAME SIGN DATE	APPROVED NAME SIGN DATE	DEPT. HXK	SCALE
GRADE OF UNTOL. DIM.:-	M/CG= V/C/M/F AA 023020B	WELDING=A/B/C/D-AA621104	GAS CUTTING-T3AA621101
REV DATE	ALTERED	CHECKED	
BHARAT HEAVY ELECTRICALS LTD HARDWAR		DRN NK JANGRA -SD- 29.08.22 CHD LSP -SD- 29.08.22 APD AXAY -SD- 29.08.22	NO. OF SHEETS 01 NO. OF ITEMS 01
TITLE	MAIN STEAM DUCT G.A UNIT 1	DRAWING NO.	01709970007
CARD CODE	X	SHEET NO.	01

INVENTORY NO. SIGN. & DATE REF. DRG. NO. COPYRIGHT AND CONFIDENTIAL INFORMATION IN THIS DRAWING IS THE PROPERTY OF BHARAT HEAVY ELECTRICALS LIMITED. IT MUST NOT BE USED OR REPRODUCED IN ANY MANNER WITHOUT THE WRITTEN PERMISSION OF THE COMPANY.

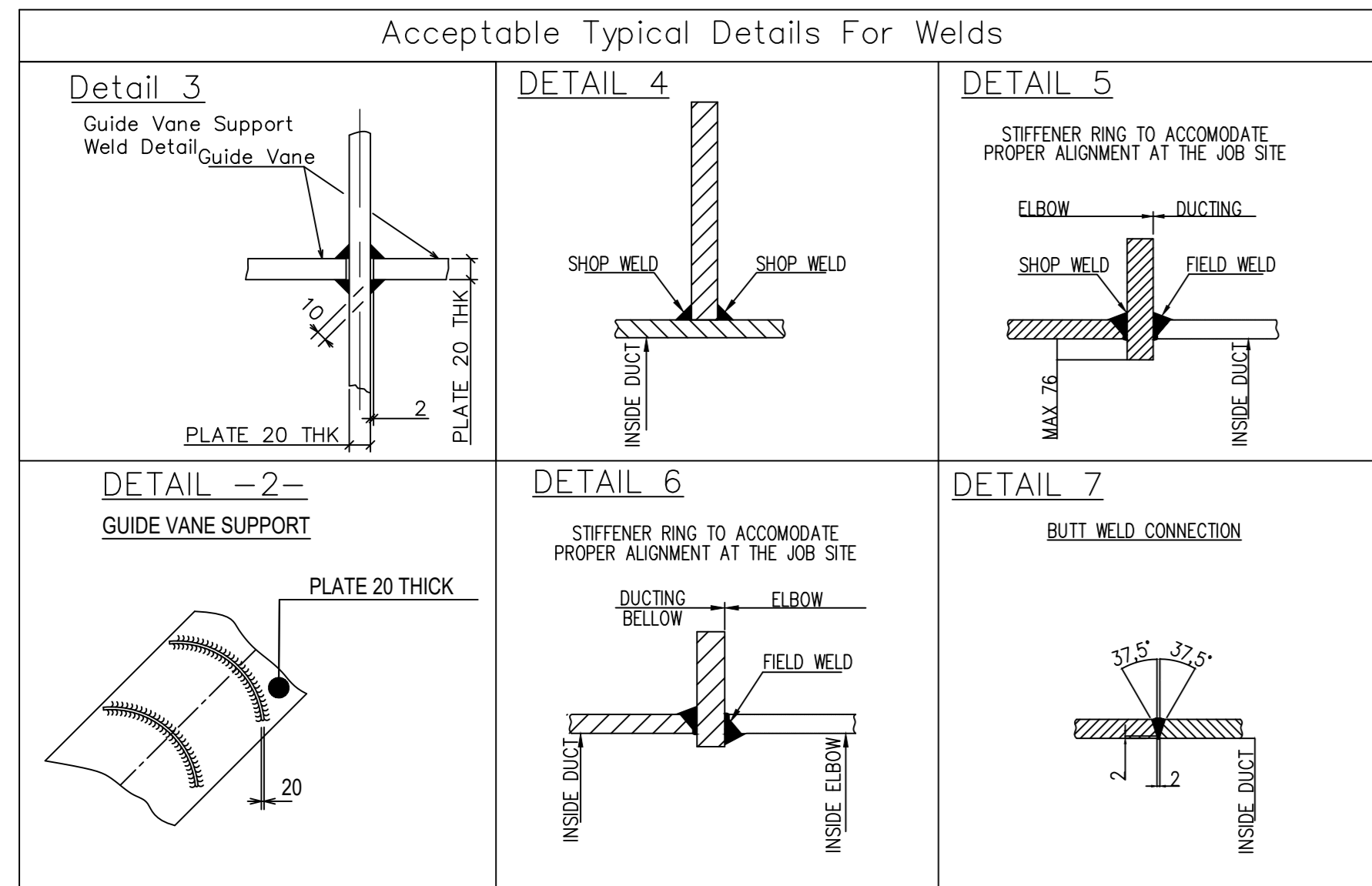
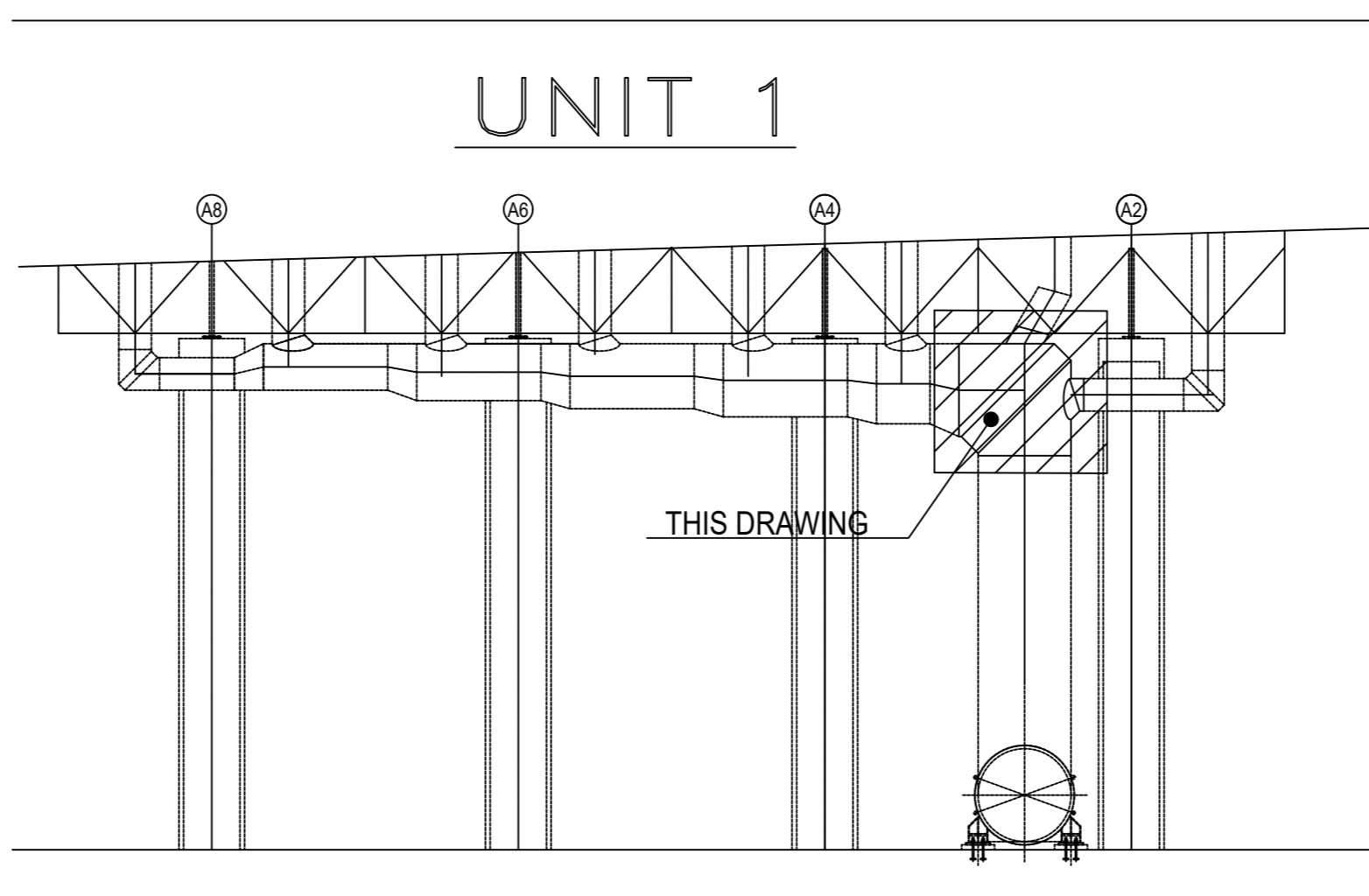


REINFORCING STIFFENER RING
[1] - STIFF. RING 250 x Thk 25 mm

ITEM	MATERIAL	SIZE	WEIGHT (KG)	REMARKS
DUCT	IS:2062 GR E250 BR	OD8000 X 14	29915	
STIFFENER	IS:2062 GR E250 BR	OD 8500 X 25, 250 MM WIDE	6946	
PADS	IS:2062 GR E250 BR	400 X 25	1631	
VANES	IS:2062 GR E250 BR	THK. - 20 mm	14263	
DUCT	IS:2062 GR E250 BR	OD 2800 X 12	3415	
TECH. SUPPORT	CS PIPE	4"X SCH 30	800 Kg	

TOTAL WEIGHT = 56970 Kg.

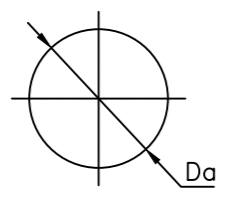
KEY PLAN



TECHNICAL REQUIREMENTS:-

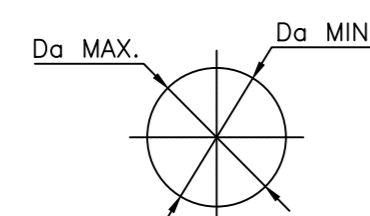
1. WELDING CLASSIFICATION GROUPS ACCORDING TO HW 0620099 CS/BK.
2. PAINTING ON OUTSIDE SURFACCS:
 - (i) PRIMER PAINT: EPOXY BASED ZINC RICH PRIMER - 1 COAT - DFT 50 MICRON.
 - (ii) INTERMEDIATE PAINT: EPOXY TiO2 PIGMENTED POLYAMIDE CURED PAINT - 1 COAT - 50 MICRON.
3. BUTT WELDS SHALL BE SUBJECTED TO 100% DPT AND 10% UT/RT. FILLET WELDS SHALL BE SUBJECTED TO 10% DPT.
4. THE GENERAL TOLERANCE ON STRAIGHTNESS, FLATNESS AND PARALLELISM SHALL BE MAINTAINED AS PER AA0621105 GRADE-F.
5. UNLESS OTHERWISE STATED EDGE PREPARATION OF WELD JOINTS SHALL BE AS PER AA0620502.
6. (a) DIAMETER TOLERANCES

At ends: Da 2800 mm - 4900 mm = ±7 mm
Da 4900 mm - 6300 mm = ±8 mm
Da 6300 mm - 8100 mm = ±10 mm



(b) ADMISSIBLE OVALITY

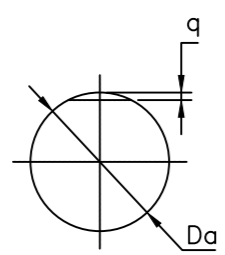
At ends: Da 2800 mm - 4900 mm x = 14 mm
Da 4900 mm - 6300 mm x = 16 mm
Da 6300 mm - 8100 mm x = 20 mm



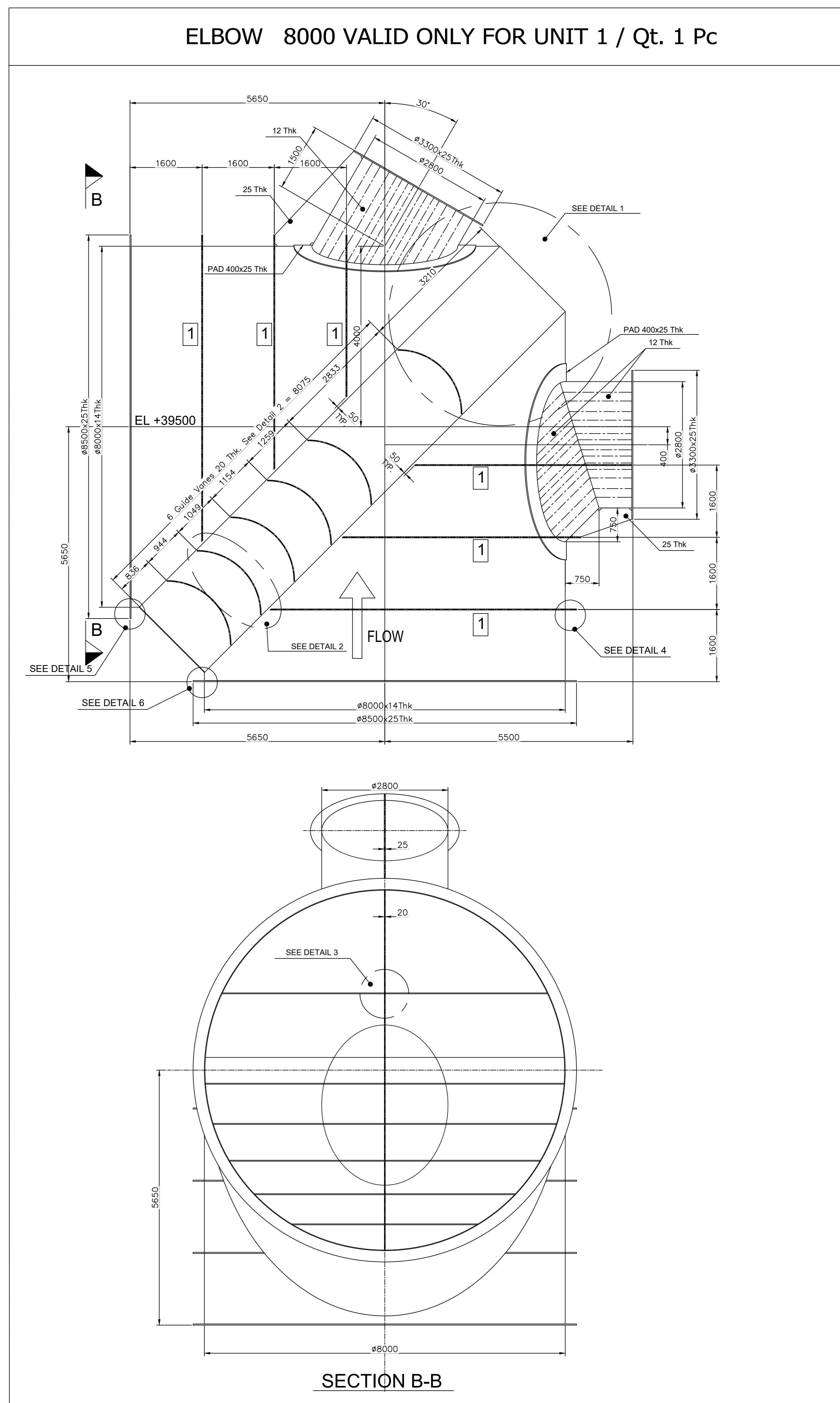
Permissible ovality at any cross-section, other than ends of section, will be as per ASME Section VIII Div 1 UC-80

(c) ADMISSIBLE OBLATENESS

Da ≤ 9220 mm q = 6 mm



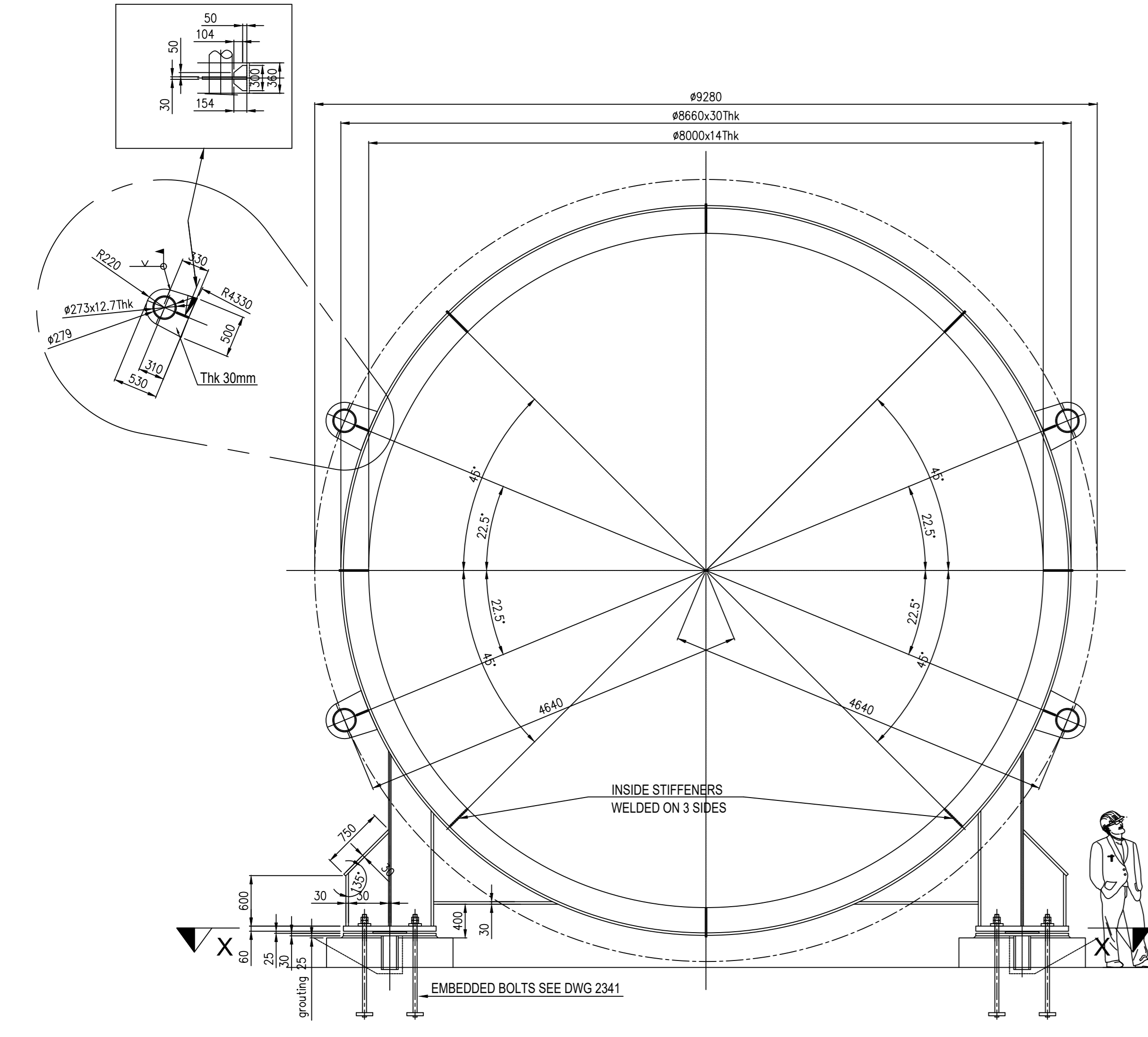
7. TRIAL ASSEMBLY OF INTER FACING PARTS TO BE DONE AT VENDOR WORKS.FOR 10% OF COMPONENTS FOR LARGE ITEMS (NO. 1,2,3)
8. DRAWINGS PROVIDED ARE INDICATIVE ONLY. FINAL DRAWINGS WILL BE PROVIDED AT THE TIME OF ORDERING.
9. FABRICATION WEIGHT IS INCLUSIVE OF TECHNOLOGICAL SUPPORTS / STIFFENERS.
10. DUCT IS TO BE SUPPLIED IN ONE TO THREE PIECES DEPENDING UPON DIAMETER AS FOLLOWS.
DIA UPTO 2500MM: SINGLE PIECE, DIA 2500 TO 5500 MM: TWO PIECES DIA MORE THEN 5500 MM: THREE PIECES.
11. PROPER LOCKING OF CIRCULAR DUCT PARTS SHALL BE ENSURED IN SUCH A WAY THAT CURVATURE IS INTACT DURING TRANSPORTATION AND HANDLING AT SITE. TECHNOLOGICAL SUPPORTS / STIFFENERS TO BE PROVIDED FOR THIS.



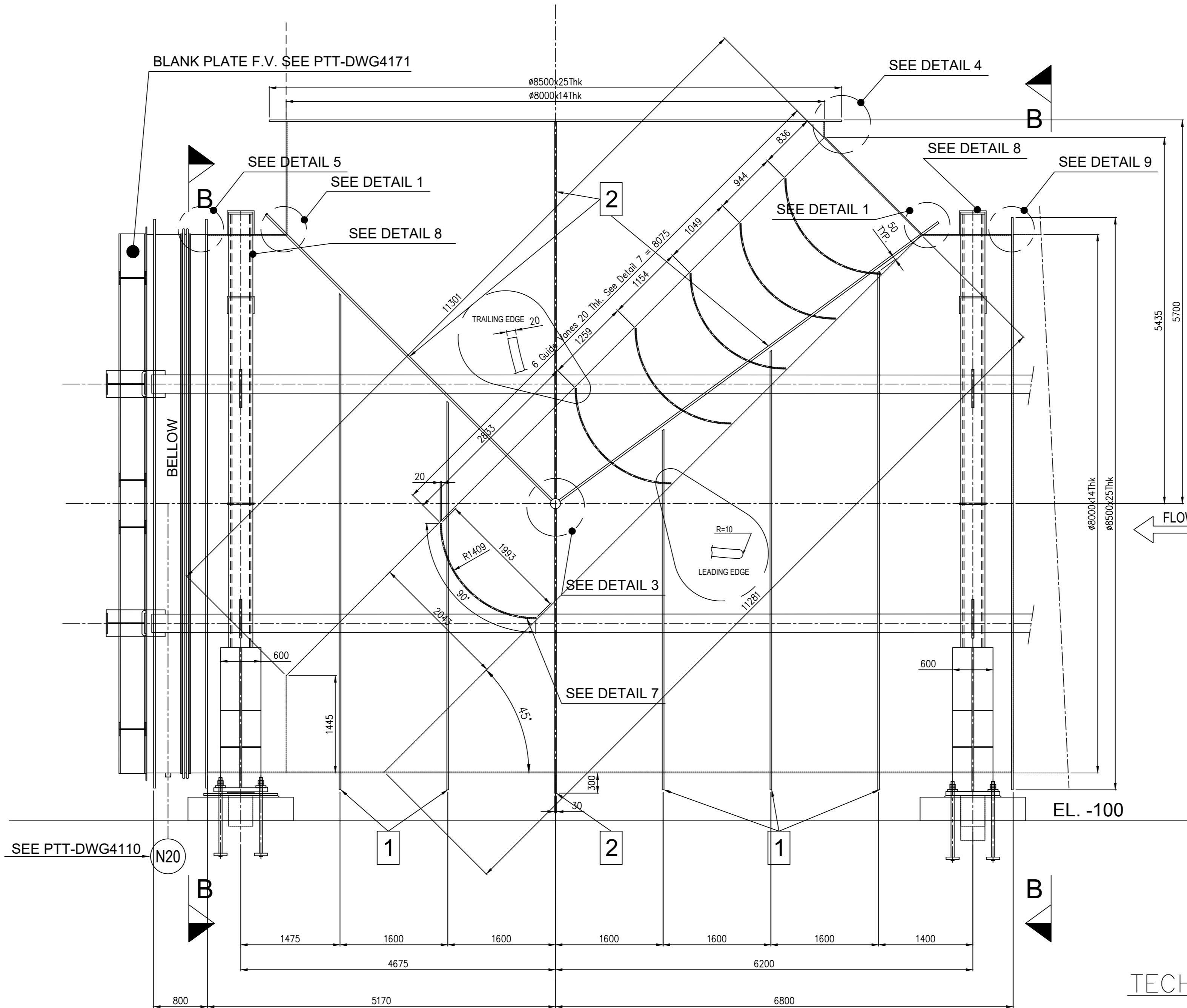
REFERENCE DRG LIST :- ACC STEAM DUCT - 01709970017

CBOM NO. 01709970007	STATUS U	TYPE OF PRODUCT OR NAME OF CUSTOMER/ PROJECT	3X800 MW ACC (PATRATU)		
APPROVED WT MANISHI	SIGN -SD-	DATE -08.22	DEPT. HKE	SCALE 1:50 / 1:75	WEIGHT(Kg.) -
GRADE OF UNTOL. DIM:- M/CG- V/C/M/F AA 0230208 WELDING-A/B/C/D-AA621104 GAS CUTTING-13AA0621101	REV DATE ALTERED CHECKED	REV DATE ALTERED CHECKED	TITLE ACC DUCT ELBOW Ø8000 UNIT-1	DRAWING NO. 01709970008	REV 00
Bharat Heavy Electricals Ltd. HARDWAR			DEPT. HKE	SCALE 1:50 / 1:75	WEIGHT(Kg.) -
DRAWING NO. 01709970007			REV 03		
SHEET NO. 01			NO. OF SHEETS 01		

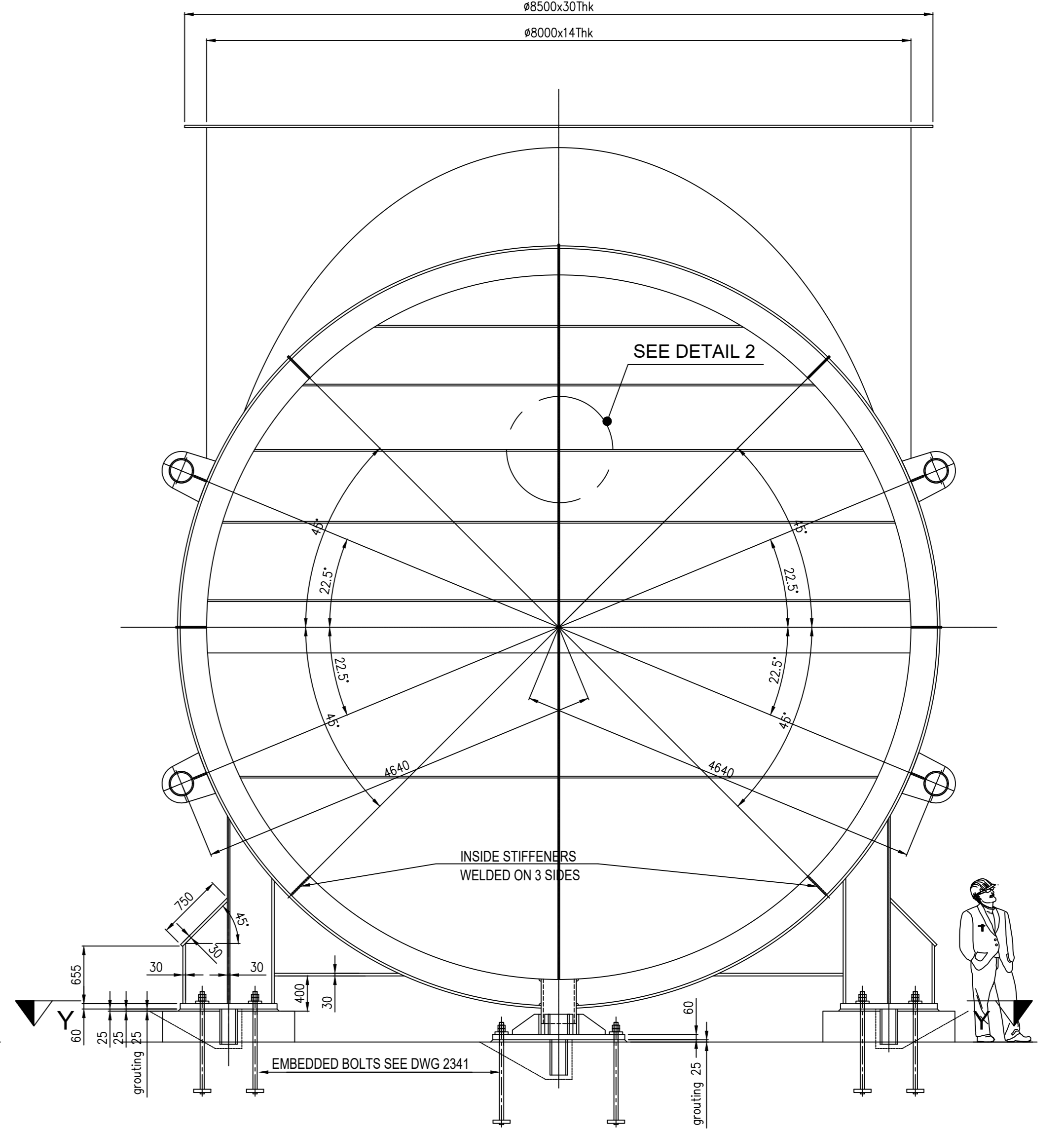
6002660210



SECTION A-A SUPPORT S3



ELEVATION VIEW ELBOW - TEE



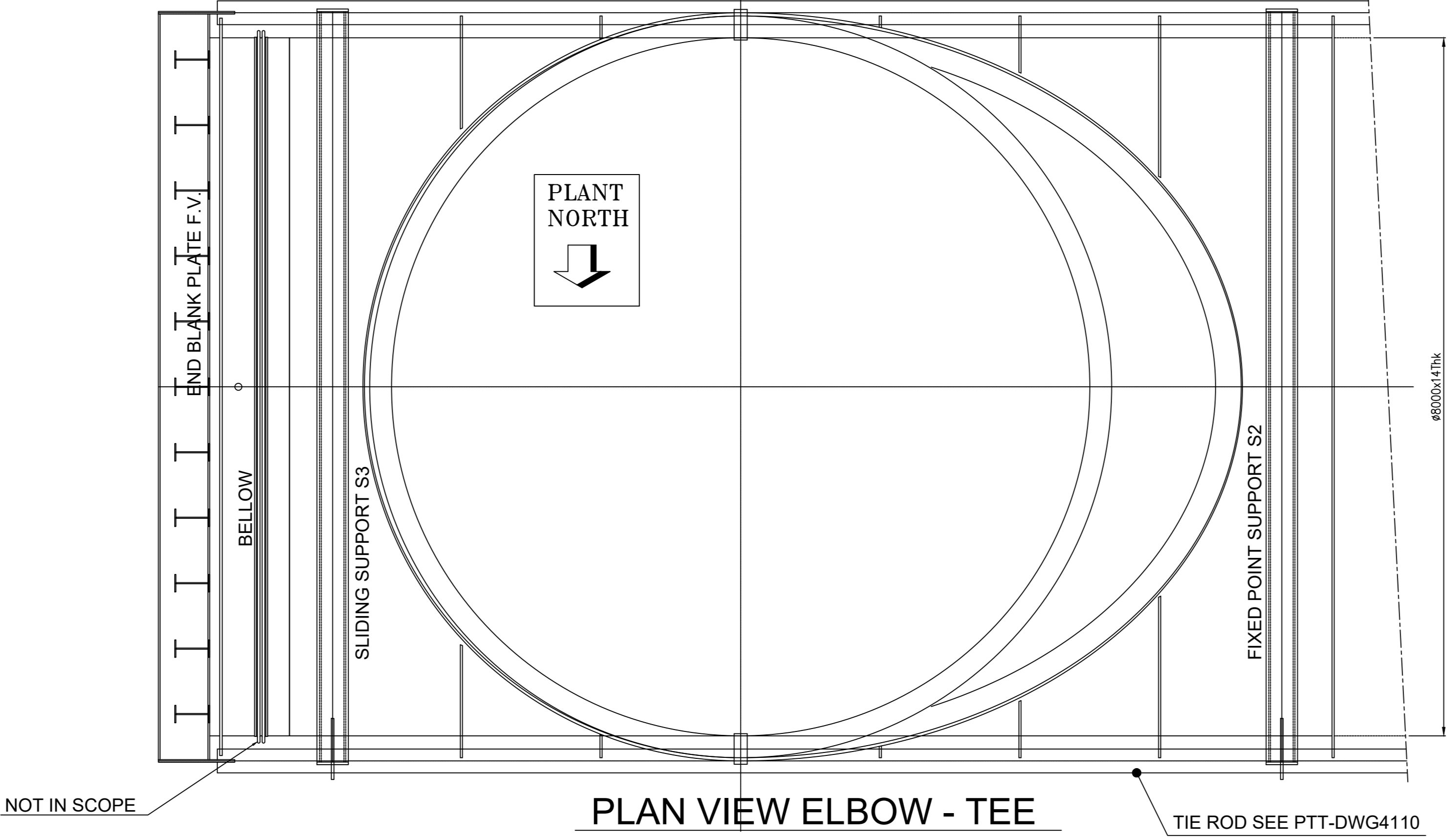
SECTION B-B SUPPORT S2

ITEM	MATERIAL	SIZE	WT.(kg.)	Remarks
ELBOW DUCT	IS2062E250 BR	8000 OD x 14 THK.	28000	
GUIDE VANE	IS2062E250 BR	R 1409 x 20 THK.	18000	6 NOS.
GUIDE VANE SUPP.	IS2062E250 BR	1128x1993x20 THK.	3600	
STIFFENER	IS2062E250 BR	25 THK.	11838	
STIFFENER	IS2062E250 BR	30 THK.	5950	
SADDLE	IS2062E250 BR		10000	2 NOS.
BLANK PLATE	IS2062E250 BR		2500	
TECHNOLOGICAL SUPPORT	CS PIPE		812	

TOTAL WEIGHT: 80700 Kg

REINFORCING STIFFENER RING

- 1= STIFF. RING 250 x Thk 25 mm
- 2= STIFF. RING 300 x Thk 30 mm



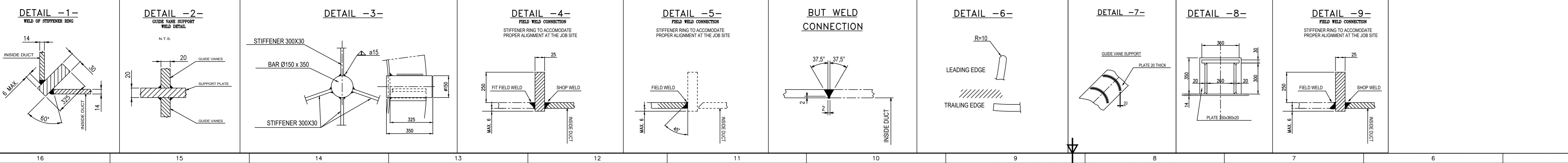
PLAN VIEW ELBOW - TEE

TECHNICAL REQUIREMENTS:-

1. WELDING CLASSIFICATION GROUPS ACCORDING TO HW 0620099 CS/BK.
2. PAINTING ON OUTSIDE SURFACES:
 - (i) PRIMER PAINT: EPOXY BASED ZINC RICH PRIMER - 1 COAT - DFT 50 MICRON.
 - (ii) INTERMEDIATE PAINT: EPOXY TiO2 PIGMENTED POLYAMIDE CURED PAINT - 1 COAT - 50 MICRON.
3. BUTT WELDS SHALL BE SUBJECTED TO 100% DPT AND 10% UT/RT. FILLET WELDS SHALL BE SUBJECTED TO 10% DPT.
4. THE GENERAL TOLERANCE ON STRAIGHTNESS, FLATNESS AND PARALLELISM SHALL BE MAINTAINED AS PER AA0621105 GRADE-F.
5. UNLESS OTHERWISE STATED EDGE PREPARATION OF WELD JOINTS SHALL BE AS PER AA0620502.
6. (a) **DIAMETER TOLERANCES**
 - At ends: Da 2800 mm - 4900 mm = ±7 mm
 - Da 4900 mm - 6300 mm = ±8 mm
 - Da 6300 mm - 8100 mm = ±10 mm
- (b) **ADMISSIBLE OVALITY**
 - At ends: Da 2800 mm - 4900 mm x = 14 mm
 - Da 4900 mm - 6300 mm x = 16 mm
 - Da 6300 mm - 8100 mm x = 20 mm

Permissible ovality at any cross-section, other than ends of section, will be as per ASME Section VIII Div 1 UG-80
- (c) **ADMISSIBLE OBLATENESS**
 - Da ≤ 9220 mm
 - q = 6 mm
7. TRIAL ASSEMBLY OF INTER FACING PARTS TO BE DONE AT VENDOR WORKS.FOR 10% OF COMPONENTS FOR LARGE ITEMS (NO. 1,2,3)
8. DRAWINGS PROVIDED ARE INDICATIVE ONLY. FINAL DRAWINGS WILL BE PROVIDED AT THE TIME OF ORDERING.
9. FABRICATION WEIGHT IS INCLUSIVE OF TECHNOLOGICAL SUPPORTS / STIFFENERS.
10. DUCT IS TO BE SUPPLIED IN ONE TO THREE PIECES DEPENDING UPON DIAMETER AS FOLLOWS. DIA UPTO 2500MM: SINGLE PIECE, DIA 2500 TO 5500 MM: TWO PIECES DIA MORE THEN 5500 MM: THREE PIECES.
11. PROPER LOCKING OF CIRCULAR DUCT PARTS SHALL BE ENSURED IN SUCH A WAY THAT CURVATURE IS INTACT DURING TRANSPORTATION AND HANDLING AT SITE. TECHNOLOGICAL SUPPORTS / STIFFENERS TO BE PROVIDED FOR THIS.

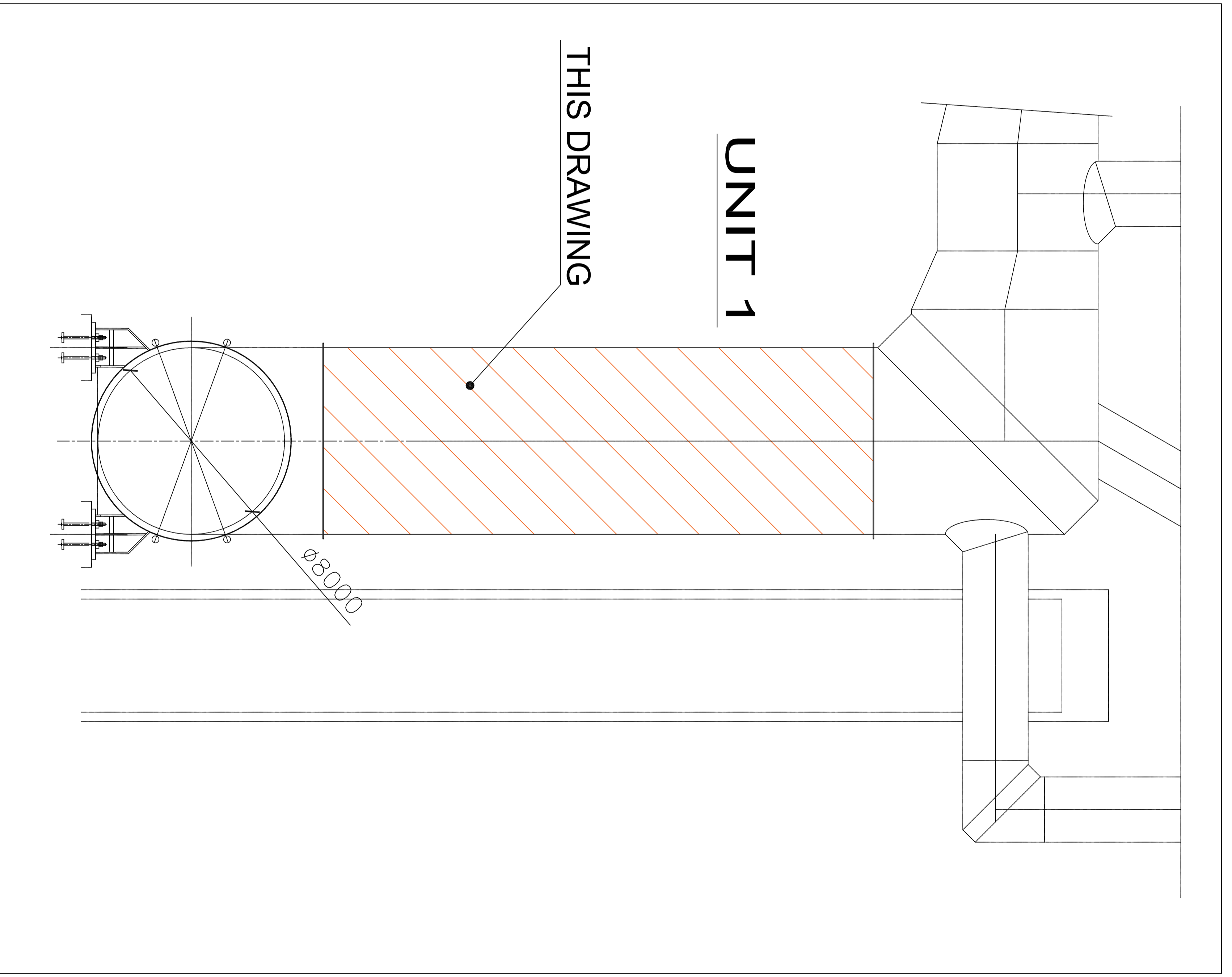
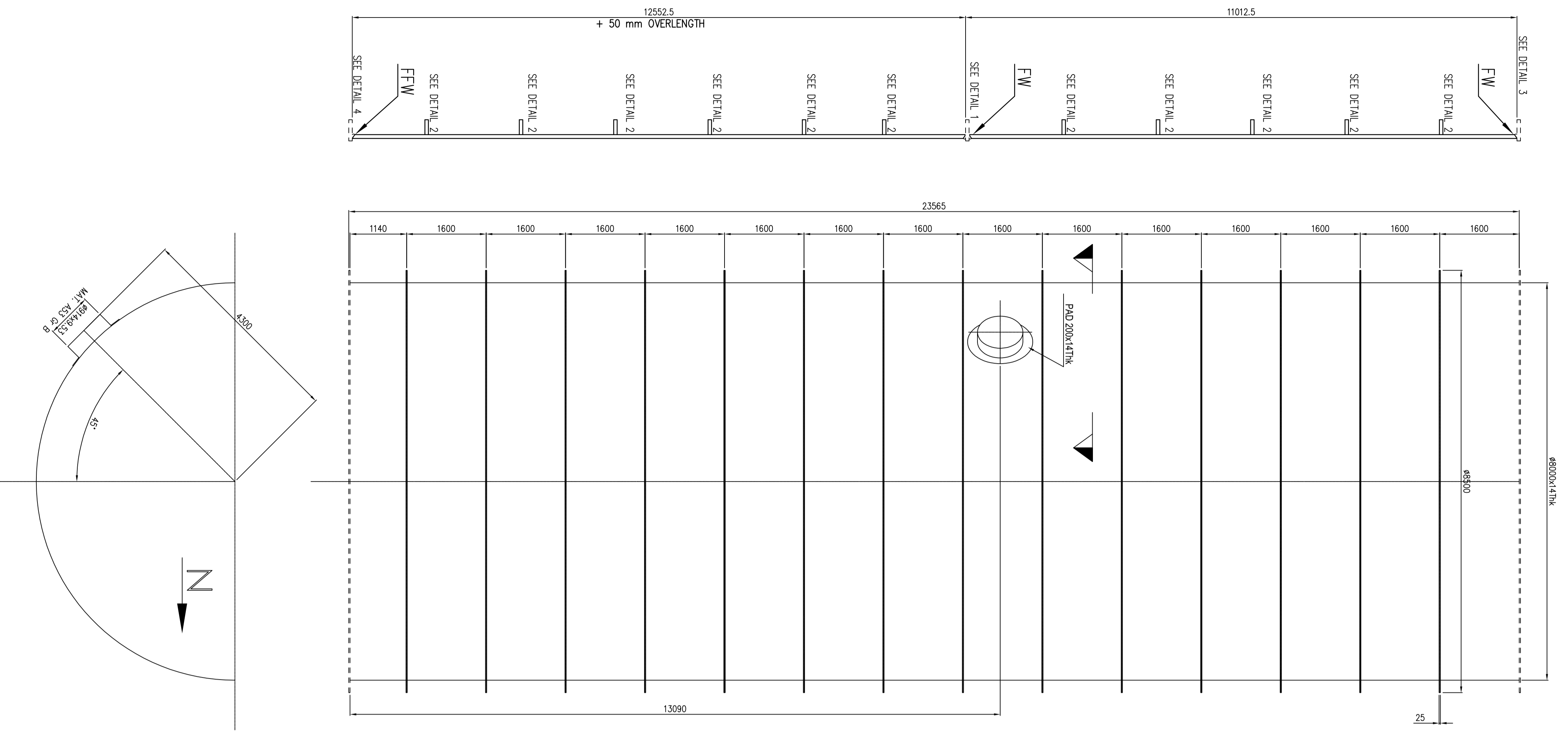
REFERENCE DRG LIST :- ACC STEAM DUCT - 01709970017



CBOM NO. 01709970007	STATUS U	TYPE OF PRODUCT OR NAME OF CUSTOMER/ PROJECT	3X800 MW ACC (PATRATU)
DESIGNER WT	NAME MANISHI	DATE -SD- -08.22	DATE 29.08.22
GRADE OF UNTOL. DIM:- M/CG-V/C/M/F AA 0230208 WELDING-A/B/C/D-AA621104 GAS CUTTING-T3AA0621101	REV. DATE ALTERED CHECKED	REV. DATE ALTERED CHECKED	REV. NO. 02
DEPT. HXK		SCALE	WEIGHT(Kg.)
CODE 4222		01709970007	02
TITLE ACC DUCT ELBOW TEE Ø8000 UNIT 1		DRAWING NO. 01709970009	REV. NO. 00
SHEET NO. 01		NO. OF SHEETS	01

INVENTORY NO. / SIGN. & DATE / REF. DRG. NO. / COPYRIGHT AND CONFIDENTIAL INFORMATION OF THE COMPANY. IT MUST NOT BE USED, REPRODUCED, COPIED, OR TRANSMITTED IN ANY MANNER WITHOUT THE WRITTEN PERMISSION OF THE COMPANY.

RISER Ø8000 UNIT 1



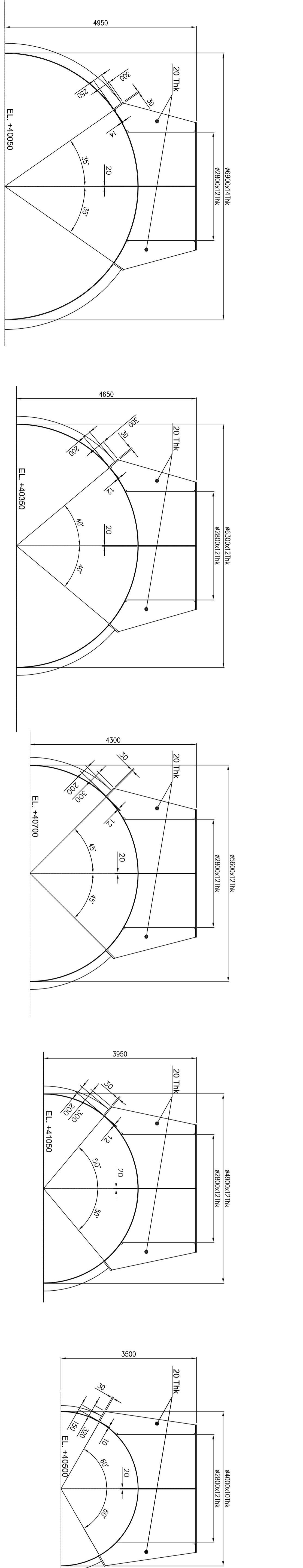
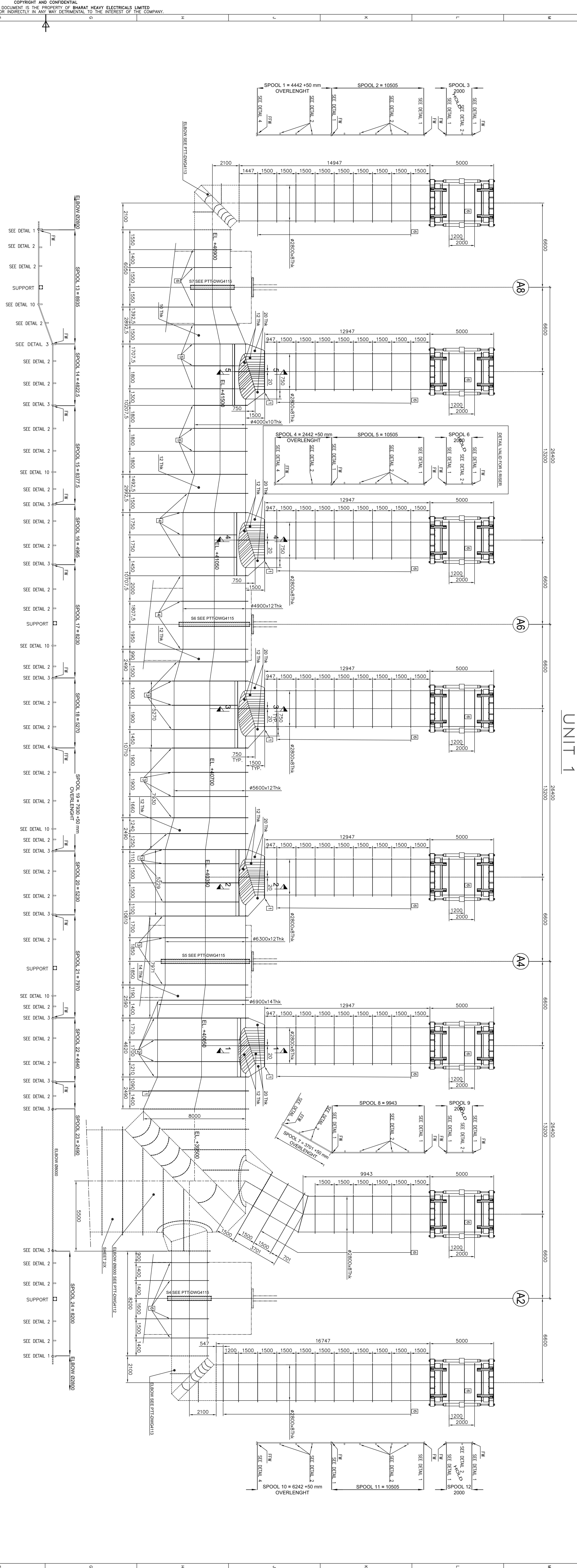
KEY PLAN

ITEM	MATERIAL	SIZE	WEIGHT	REMARKS
DUCT	IS2062 GR E290 BR	Ø8000X14	65000 kg	
STIFFENER	IS2062 GR E290 BR	Ø650X20X1HK X 230	16390 kg	14 NOS
NOZZLE	AS3 GR B	Ø914X3.53	64 kg	
PAD	IS2062 GR E290 BR	200 X141HK	91 kg	
TECHNOLOGICAL SUPPORT	CS PIPE	47X SCH 30	6000 kg	

TOTAL WEIGHT : 89005 kg

INVENTORY NO.	SIGN & DATE	REF. DRG NO.
COPYRIGHT AND CONFIDENTIAL THE INFORMATION ON THIS DOCUMENT IS THE PROPERTY OF BHARAT HEAVY ELECTRICALS LIMITED. IT MUST NOT BE USED DIRECTLY OR INDIRECTLY IN ANY WAY DETRIMENTAL TO THE INTEREST OF THE COMPANY.		
SRM NO.	REV	DATE
01709970007	01	19/08/22
MANISH	ALTERED	
DATE	19/08/22	
TYPE OF PRODUCT	3X800 MM ACC (PATRATU)	
NAME OF CUSTOMER / PROJECT	BHARAT HEAVY ELECTRICALS LTD. (PATRATU)	
SCALE	1:90 / 1:75	
WEIGHT (kg)	89005	
NO. OF SHEETS	02	
SHEET NO.	02	
INDICATED SHEETS	02	
SIZE	A0	

SIZE A0



STIFFENER RINGS DIMENSIONS

1	= STIFFENER RING 250XTHK.25
2	= STIFFENER RING 250XTHK.20
3	= STIFFENER RING 200XTHK.20
4	= STIFFENER RING 200XTHK.15
5	= STIFFENER RING 150XTHK.15
6	= STIFFENER RING 120XTHK.10

REMARK:-
 FOLLOWING ITEMS ARE NOT IN SCOPE OF VENDOR.
 (A) LATERAL EXPEN. JOINT

ITEM	MATERIAL	SIZE	WEIGHT	REMARKS
DUCT (RESER)	IS2062 GR E250 BR	Ø2800X1THK	126800 kg	
DUCT (HORIZONTAL)	IS2062 GR E250 BR	Ø6900X4 THK	11000 kg	
DUCT REDUCER	IS2062 GR E250 BR	Ø6100XØ6900X1THK	4000 kg	
DUCT REDUCER	IS2062 GR E250 BR	Ø5600XØ6100X1THK	3000 kg	
DUCT REDUCER	IS2062 GR E250 BR	Ø5200XØ5600X1THK	18000 kg	
DUCT REDUCER	IS2062 GR E250 BR	Ø5200XØ5600X2THK	11000 kg	
DUCT REDUCER	IS2062 GR E250 BR	Ø5600XØ4900X2THK	9000 kg	
DUCT REDUCER	IS2062 GR E250 BR	Ø5200XØ4900X2THK	7000 kg	
DUCT	IS2062 GR E250 BR	Ø5900X1THK	17390 kg	
DUCT	IS2062 GR E250 BR	Ø4900X2THK	1527 kg	
DUCT	IS2062 GR E250 BR	Ø4000X1THK	10070 kg	
DUCT REDUCER	IS2062 GR E250 BR	Ø4000XØ2800X1THK	2425 kg	
STIFFENER	IS2062 GR E250 BR	120X10	9086 kg	QTY 101 NOS
STIFFENER	IS2062 GR E250 BR	200X25	1210 kg	QTY 1 NOS
STIFFENER	IS2062 GR E250 BR	250X20	4562 kg	QTY 5 NOS
STIFFENER	IS2062 GR E250 BR	200X20	8039 kg	QTY 16 NOS
STIFFENER	IS2062 GR E250 BR	200X15	2745 kg	QTY 7 NOS
STIFFENER	IS2062 GR E250 BR	150X15	1508 kg	QTY 8 NOS
STIFFENER	IS2062 GR E250 BR	20THK	3532 kg	
STIFFENER	IS2062 GR E250 BR	30 THK	1780 kg	
TECHNOLOGICAL SUPPORT	47XSC80		1000 kg	

TOTAL WEIGHT: 291417 kg

INVENTORY NO.	SIGN & DATE	REF. DRG. NO.
GRDN NO. 01709970007 SHEET NO. 03 IN OF SHEETS 03		
TYPE OF PRODUCT OR NAME OF CUSTOMER/ PROJECT 3X800 MW ACC (PATRATU)		
NAME OF CUSTOMER/ PROJECT SHRI HEAVY ELECTRICALS LTD. HARIDWAR		
GRADE OF UNROL DML	DATE	SCALE
M/C-C V/C/N/F A/A 0230208	19/08/22	1:50 / 1:25
WELDING-A/E/C/D-A&B2104	19/08/22	
C&S CUTTING-T/A&B21101	19/08/22	
REV DATE ALTERED CHECKED	DATE	SCALE
01	19/08/22	1:50 / 1:25
DRAWING NO. 01709970007 SHEET NO. 03 IN OF SHEETS 03		



COMBINED BILL OF MATERIAL

Printed On: 14.10.2022

Printed By:

CBOM No: 01709970007 CBOM Var: 01
Description: ACC STEAM DUCT PATRATU

Revno: 1

Rev Date: 26.09.2022

Total weight: 1512833.0

Item No	Drawingno Var Mvar	Mat Code	Mat Spec	Weight	Blank Sizes	Nos	Qty	Norm/pc	Extra Norm	Total Norm
Qty(Total)	Description		Assy. Remarks	Inclusion?	Mat Shape		Remarks			
Typ Cat Zone	Var/Matl. Description		ENGG SIZE/GRP	Fab Wt	Route				Spare Code	Unit
0	01709970007 01			1512833.0						
1(1)	ACC STEAM DUCT PATRATU		UNIT- 1	Y						
MF CD			Y		SITE					
1	01709970017 00			448422.0						
1(1)	ACC STEAM DUCT			Y						
MF CD			N		0306-0314-000D					
2	01709970009 00			80700.0						
1(1)	ACC DUCT ELBOW TEE DIA 8000			Y						
MF CD			N		0306-0314-000D					
3	01709970008 00			86970.0						
1(1)	ACC DUCT ELBOW DIA 8000			Y						
MF CD			N		0306-0314-000D					
4	01709970010 00			3995.0						
10(10)	ACC DUCT ELBOW DIA 2800			Y						
MF CD			N		0306-0314-000D					
5	01709970018 00			26052.0						
8(8)	CONDENSATE COLLECTING MANIFOLD		(left & right)	Y						
MF CD			N		0306-0314-000D					
6	21709970099 00			335.0						
9(9)	MAN HOLE			Y						
MF CD			N		0306-0314-000D					
7	01709970019 00			80670.0						
8(8)	STEAM DISTRIBUTION MANIFOLD			Y						
MF CD			N		0306-0314-000D					

	ENGG	WTX		
	Initial	Date	Initial	Date
Worked By	hxelok	30.08.2022	wtxman	20.09.2022
Checked By	hxexak	13.09.2022	bk2rd	20.09.2022
Approved By	hxenp	20.09.2022	wtxskg	20.09.2022

SUPPORT S1

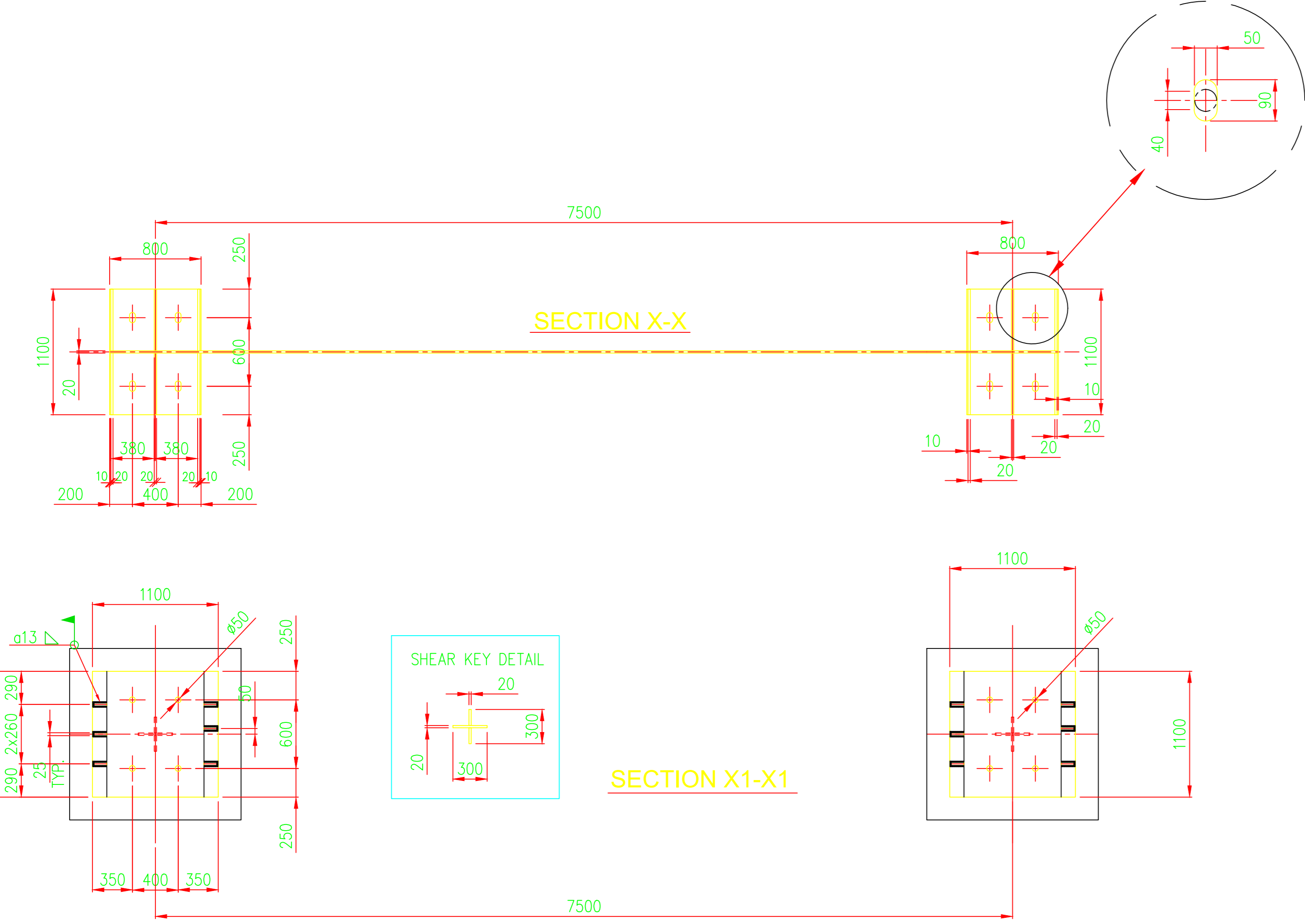
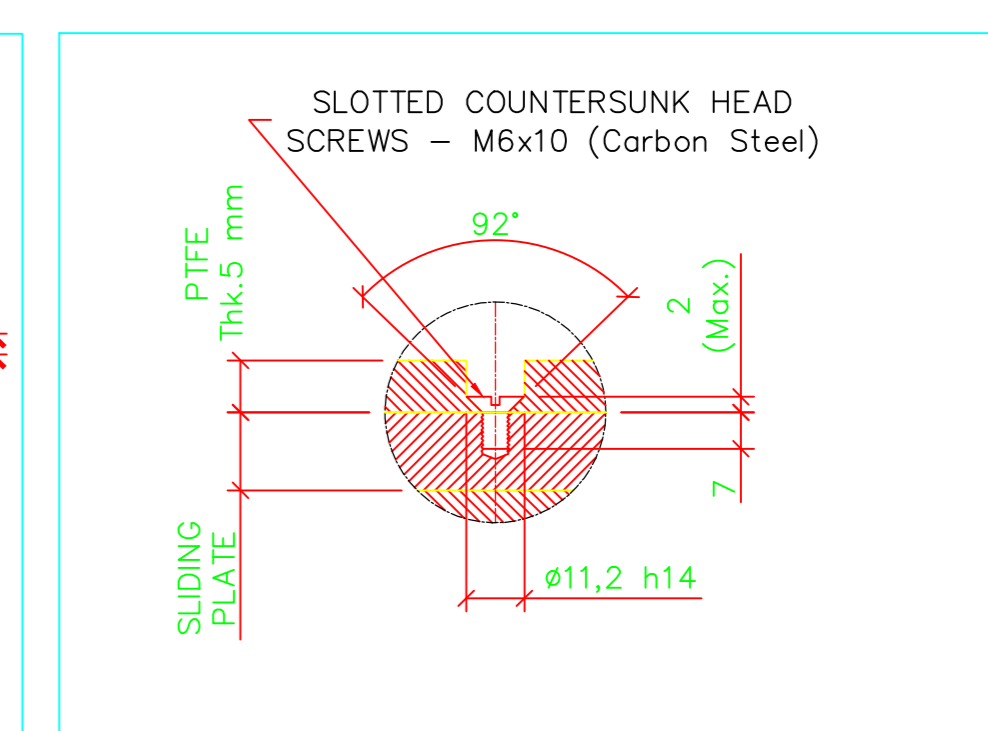
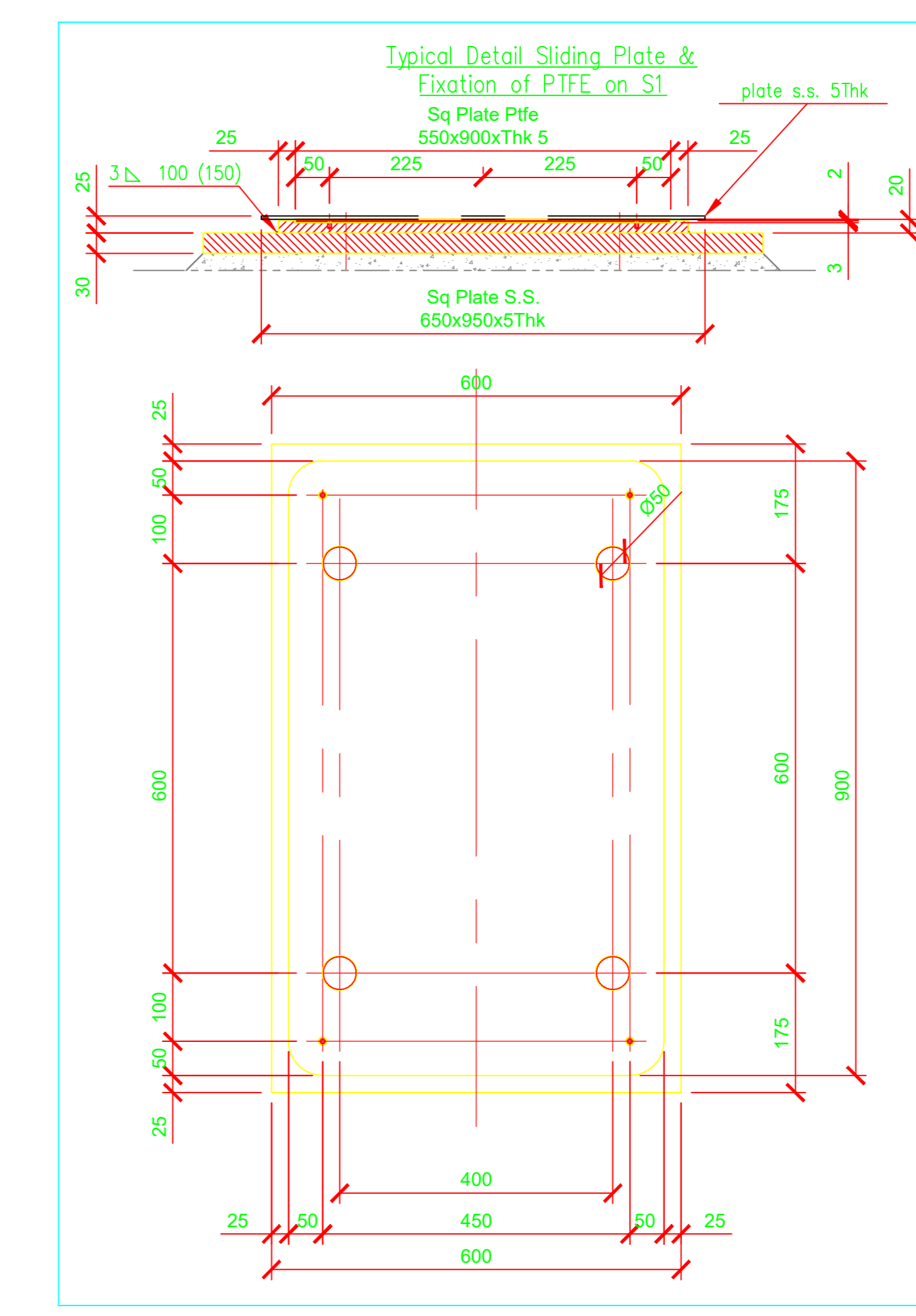
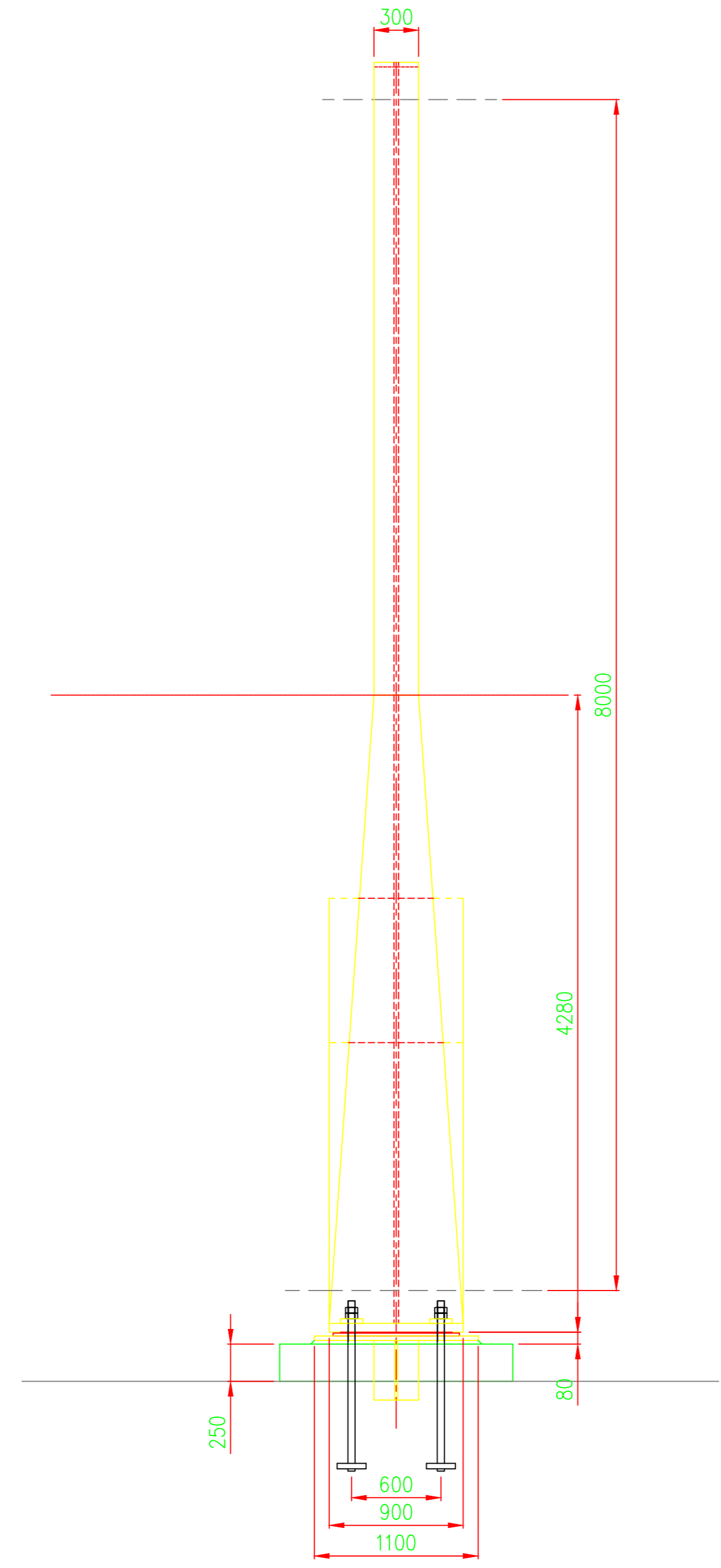
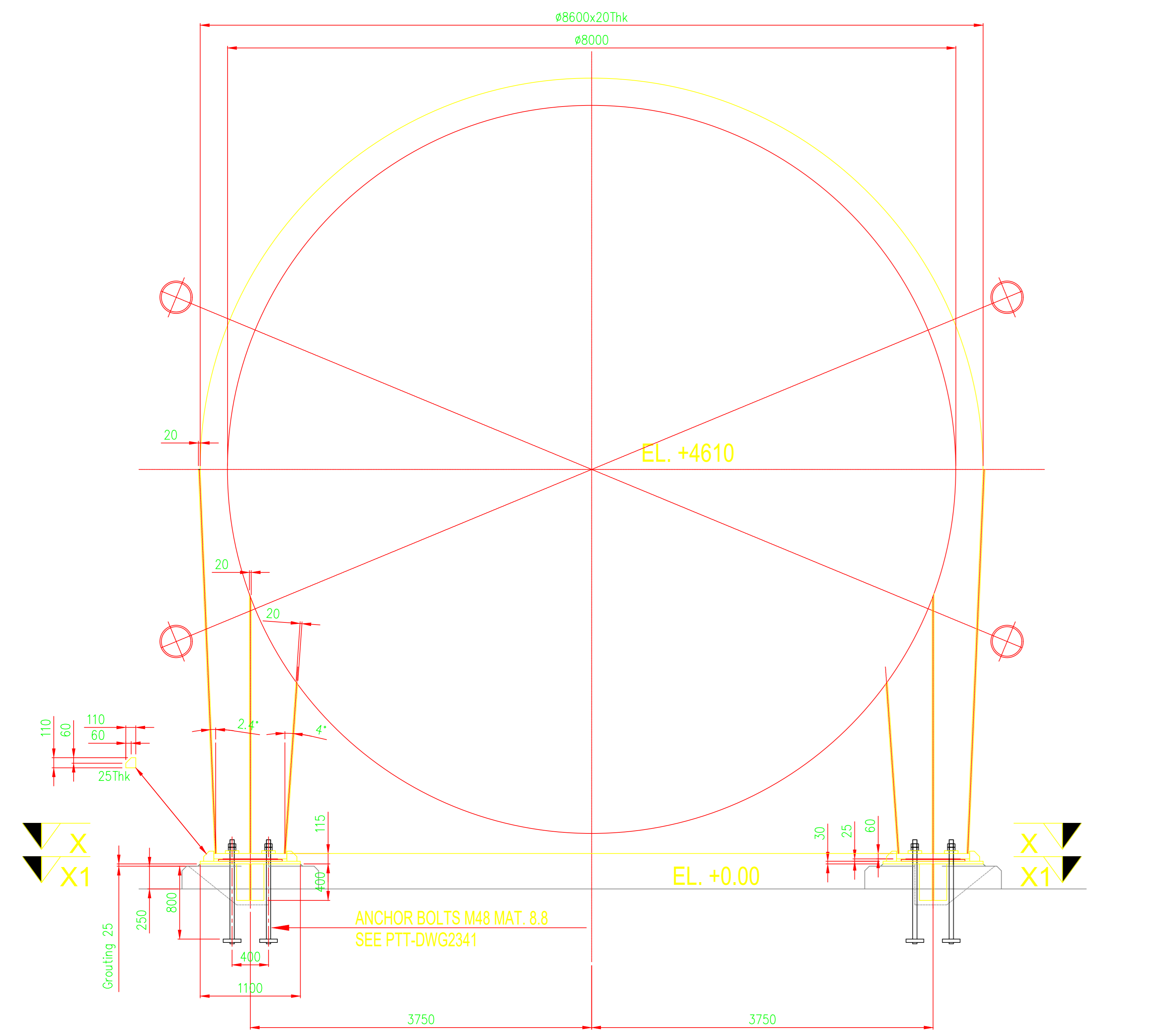
EL. 0.00 (TG BUILDING) = RL 375500

NOTES

- GENERAL TOLERANCES ACC. TO DIN 28005 Teil 1 & DIN 28013 & ASME VIII
- MATERIAL : E250 / PROFILE E350
- FIELD WELDS ARE TO BE INDICATED BY THE MANUFACTURER WITH REGARDS TO SHOP POSSIBILITIES AND TRANSPORT MAXIMUM ALLOWABLE DIMENSIONS.
- ALL BUTT WELDING NOZZLE END BEVEL AS PER ANSI B16.25. SEE REQ 4010
- NO PERMANENT ACCESS FOR INSTRUMENTS USED DURING PERFORMANCE TEST AND FOR ERECTION MANWAYS.

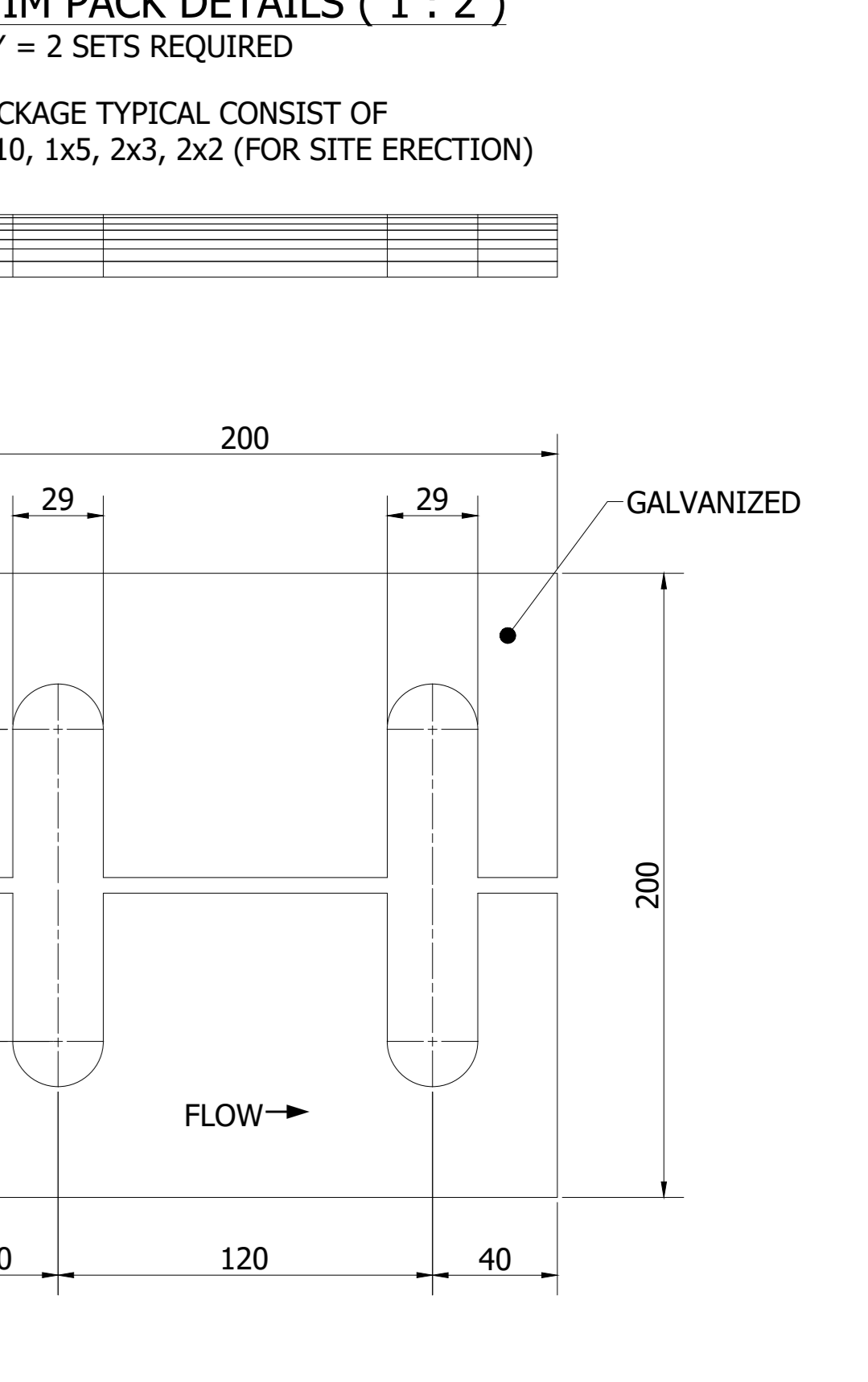
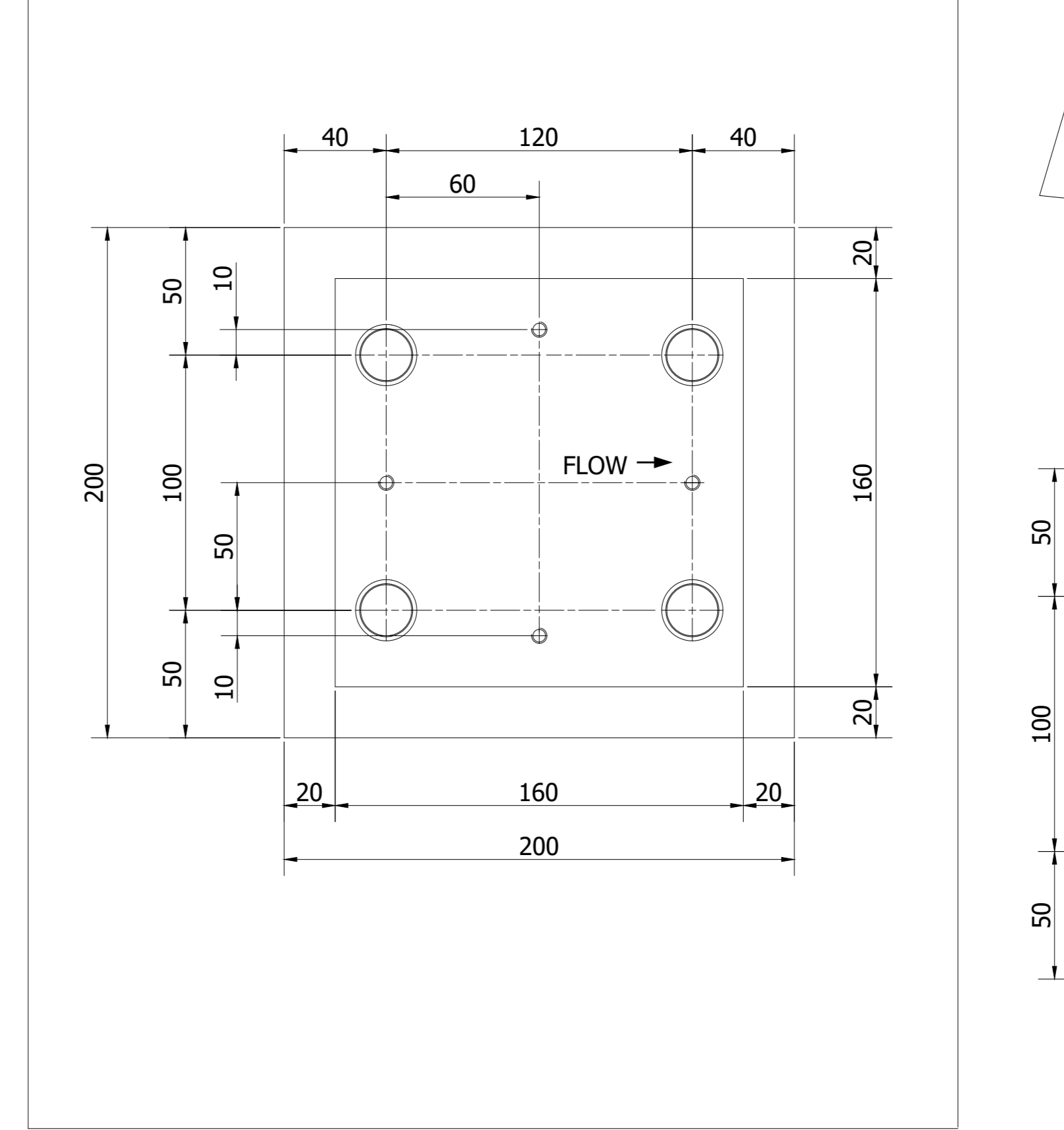
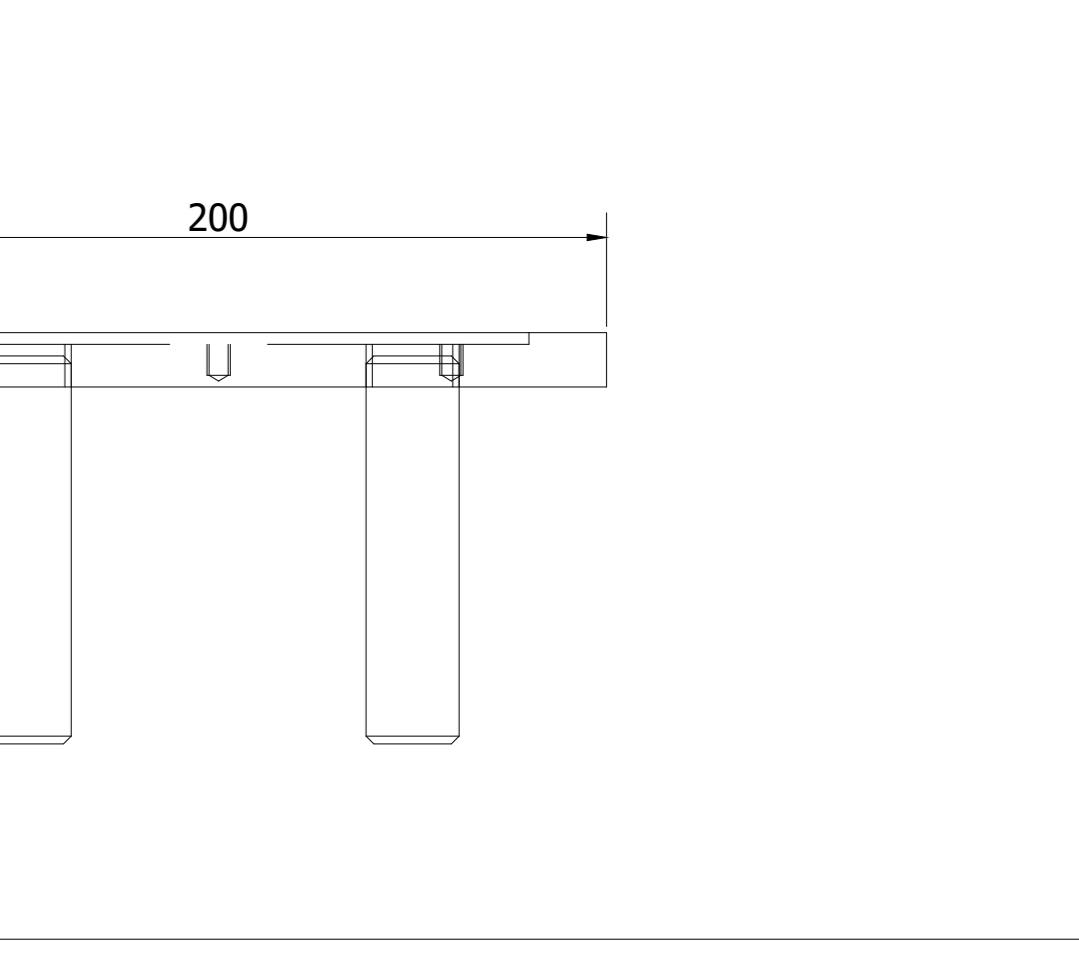
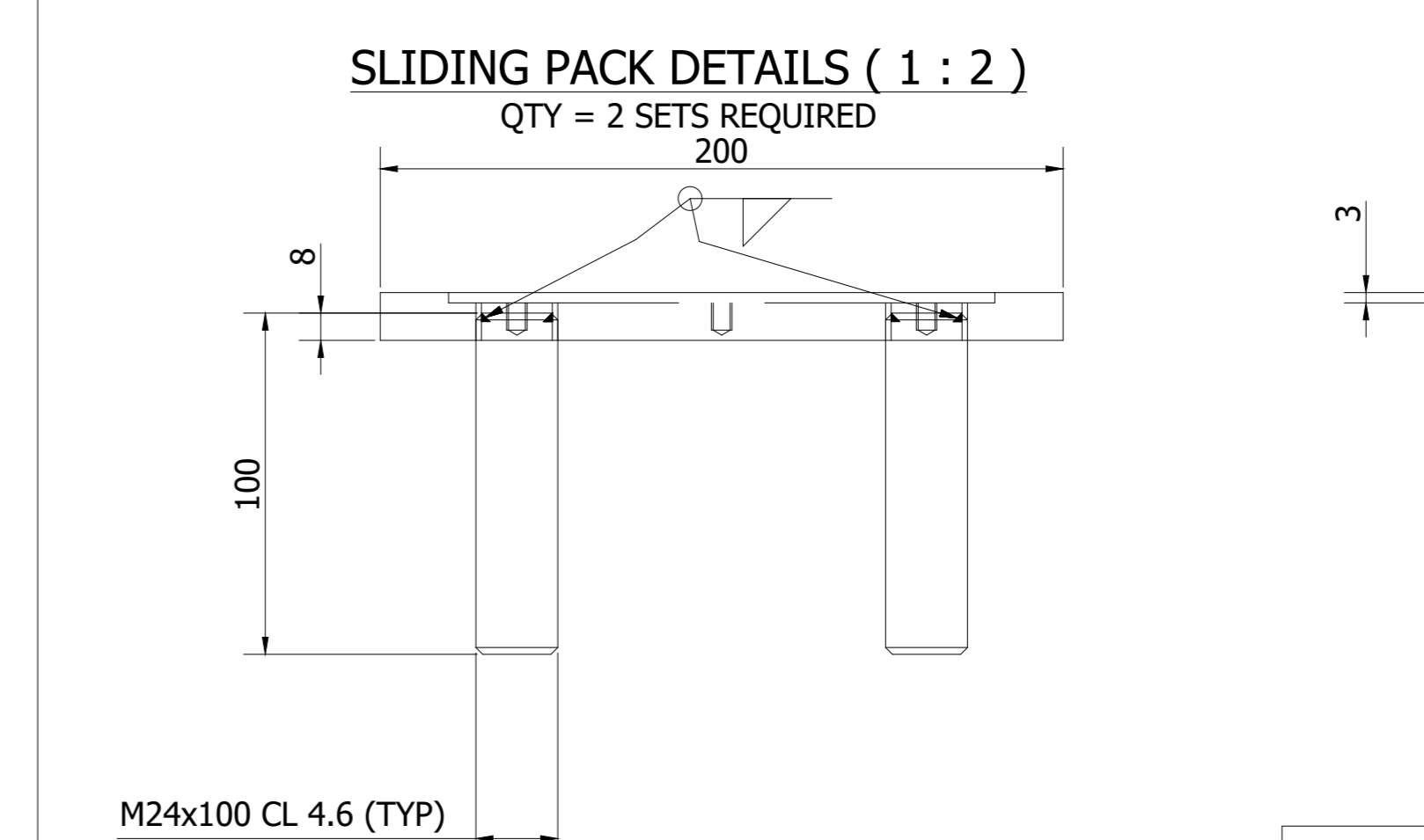
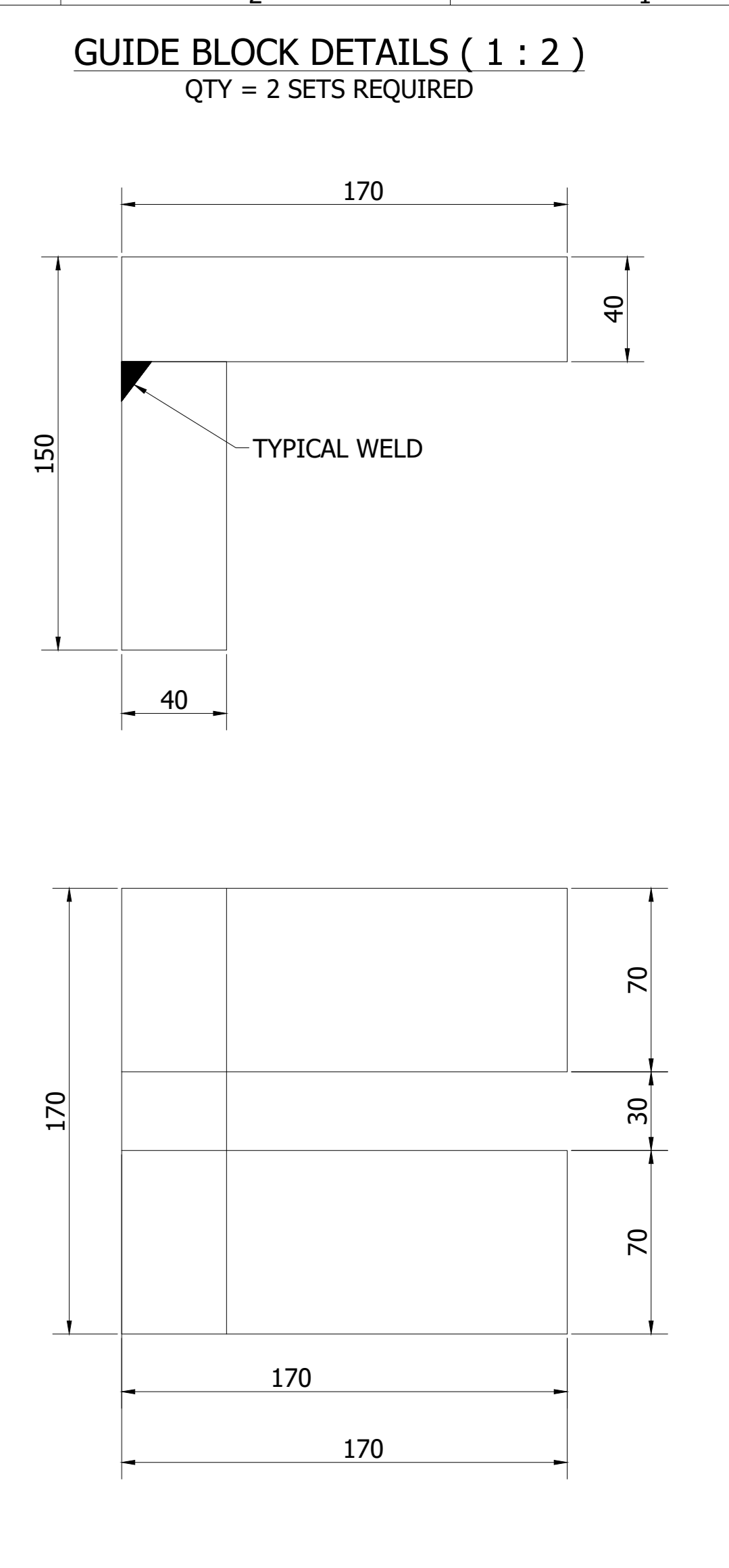
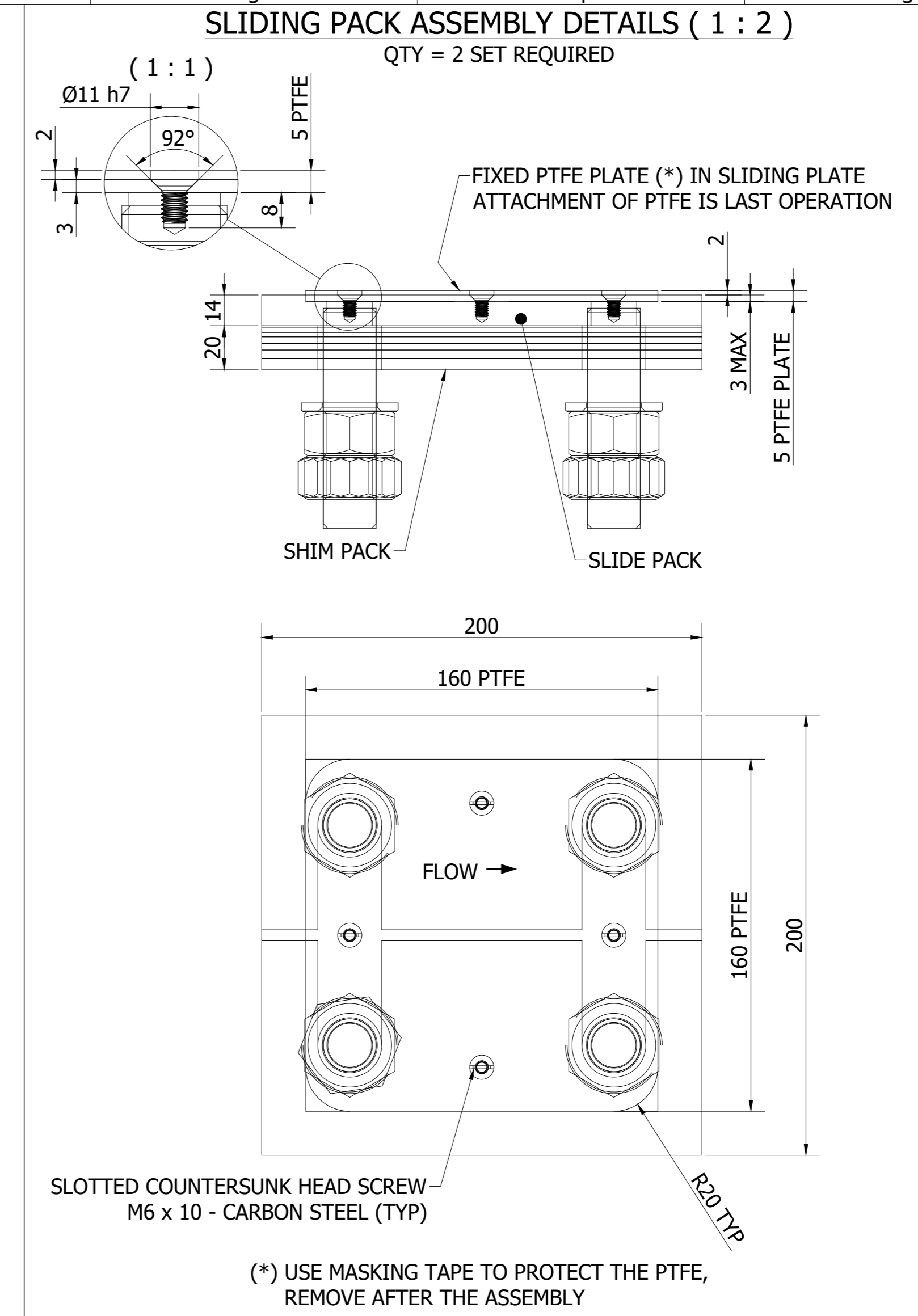
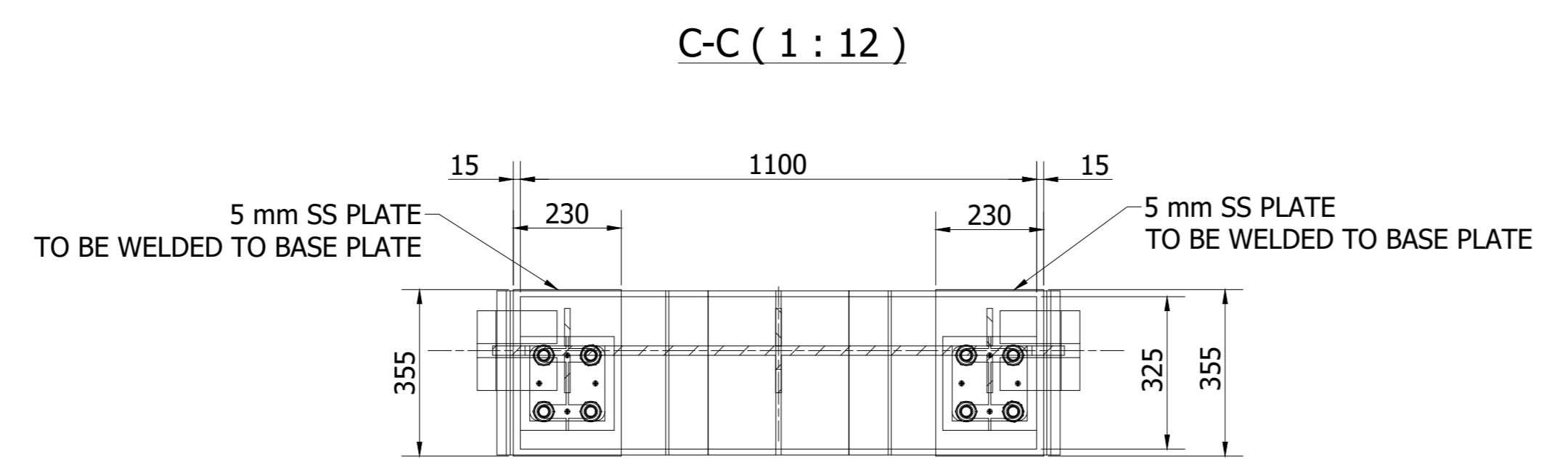
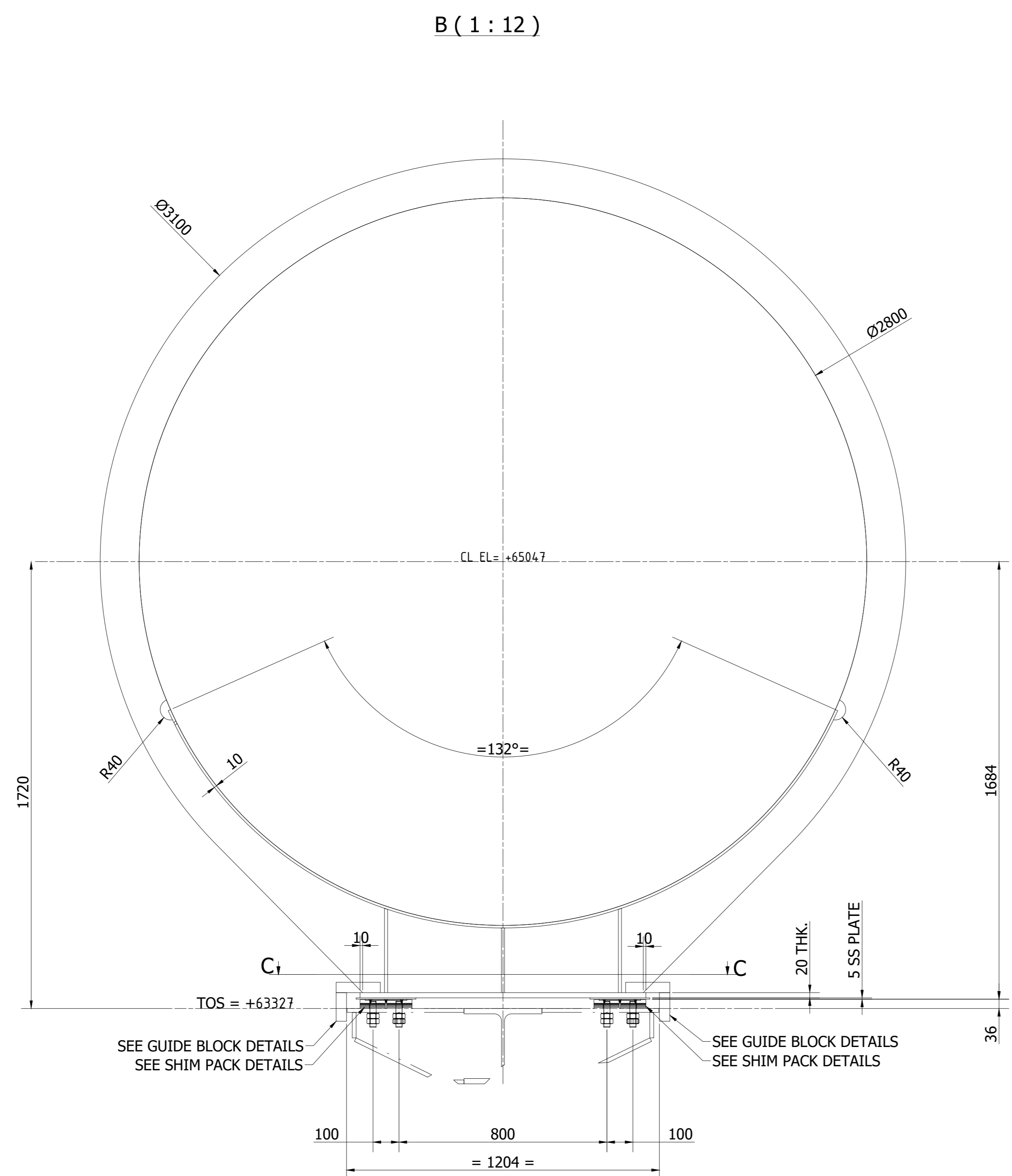
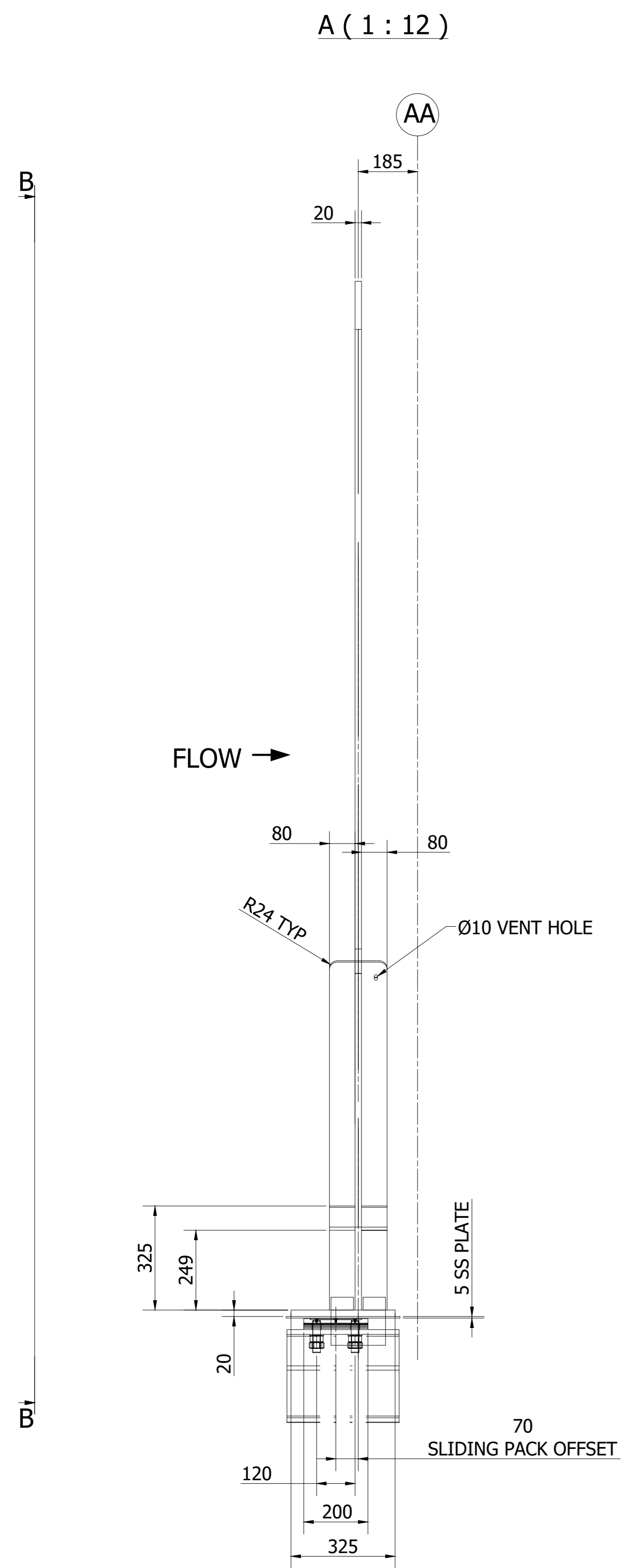
REFERENCE DRAWINGS

- PTT-DWG4111 : ELBOW-TEE Ø8000. + SUPPORTS S2 - S3
- PTT-DWG4112 : CIRCULAR ELBOW MEAN DUCT Ø8000
- PTT-DWG4113 : CIRCULAR ELBOW FOR RISER Ø2800
- PTT-DWG4114 : SUPPORT S1 EXHAUST DUCTING Ø8000
- PTT-DWG4115 : SUPPORTS MEAN DUCT
- PTT-DWG4170 : BLANK PLATE.
- PTT-DWG4171 : END BLANK PLATE F.V.
- PTT-DWG4180 : NECK PRESSURE SAMPLE PLATES
- PTT-DWG4182 : HORIZONTAL MANHOLE
- PTT-DWG4731 : RUPTURE DISK
- PTT-REQ4110 : STANDARD REQUISITION FOR DUCTING
- PTT-DWG4110: FLEXIBILITY ANALYSIS FOR DUCTING



EL. 0.00 (TG BUILDING) = RL 375500

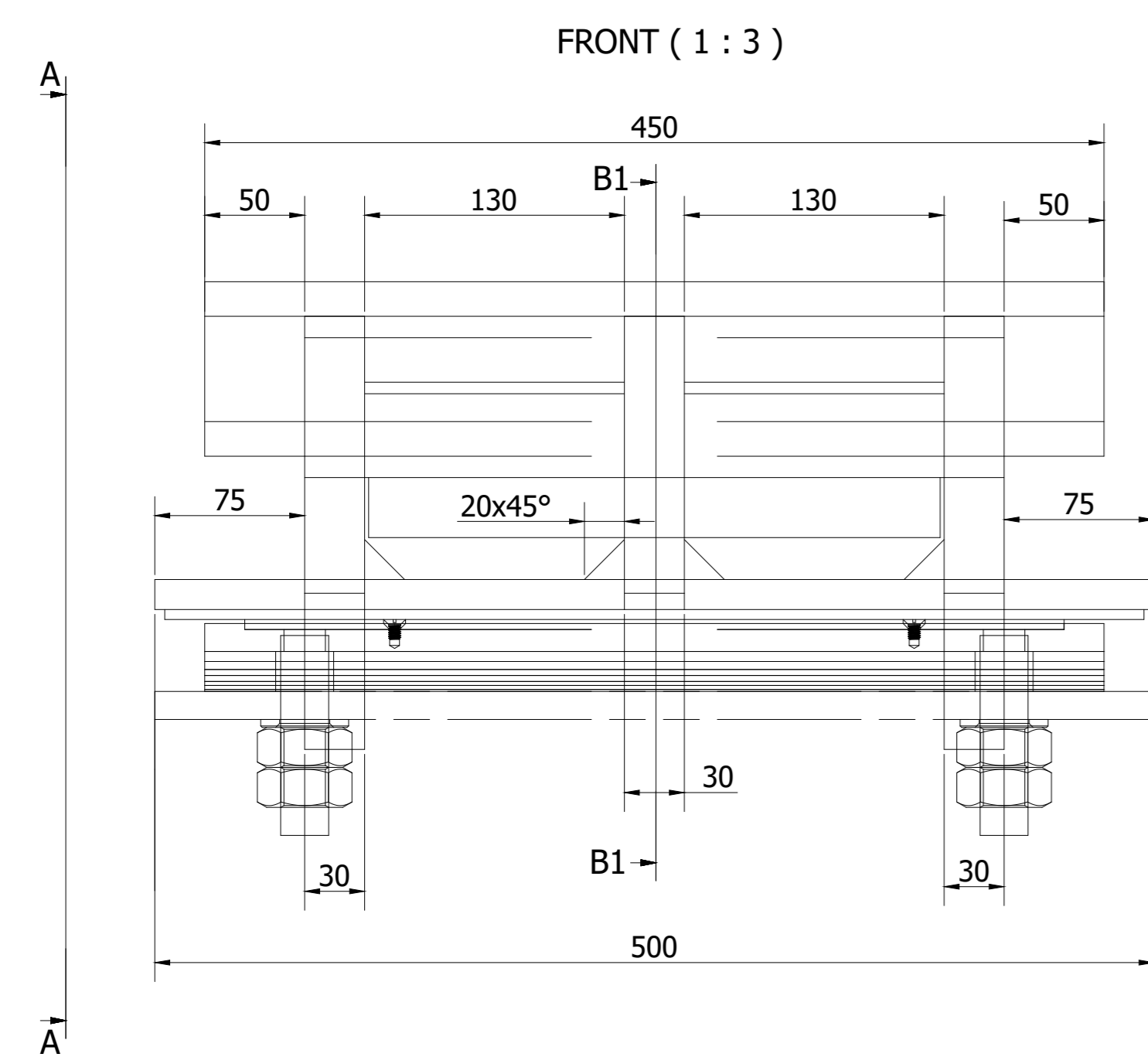
5										
4										
3										
2										
1	07.09.2022	GT	DM	PM	FOR CONSTRUCTION				CFC	
	DATE	ALTERED	CHECKED	APPROVED	NOTE	STATUS				
						CTD = CERTIFIED DRAWING	CFC = CERTIFIED FOR CONSTRUCTION	ASB = AS BUILT		
CUSTOMER:		PVUN-NTPC LIMITED NTPC DRAWING NO.								
PROJECT:		PATRATU STTP (3x800 MW) BHARAT HEAVY ELECTRICALS LTD HEER, HARIDWAR								
	Date	Name	Document Designation						Content/Key	
	Drawn	07.09.2022	GT	DUCT SUPPORT S1						DWG
	Checked	07.09.2022	DM							4114
	Released	07.09.2022	PM							
Copyright acc. to ISO 16016										
SPG DRY COOLING		PARADIPUR		Projection 		Scale 1:30 Format A1		Document Id. PTT-DWG0011 WB1-101-000568		
				Ver.		Page		1 / 1		



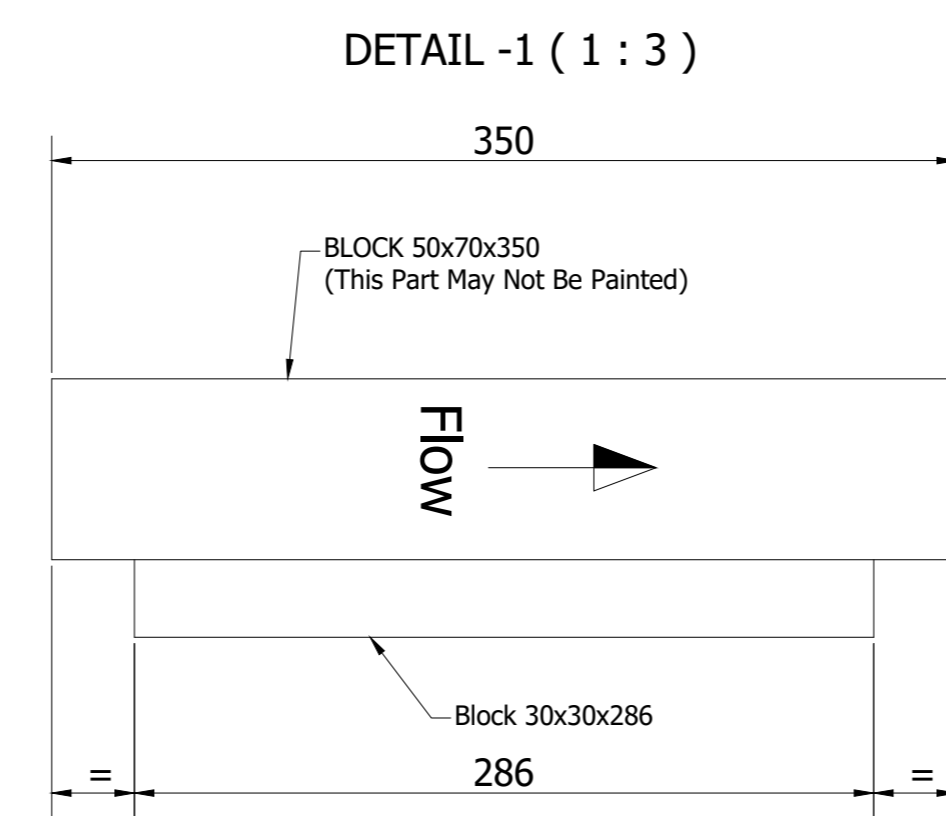
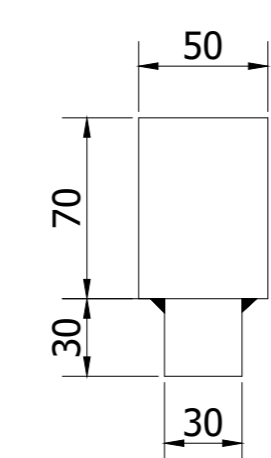
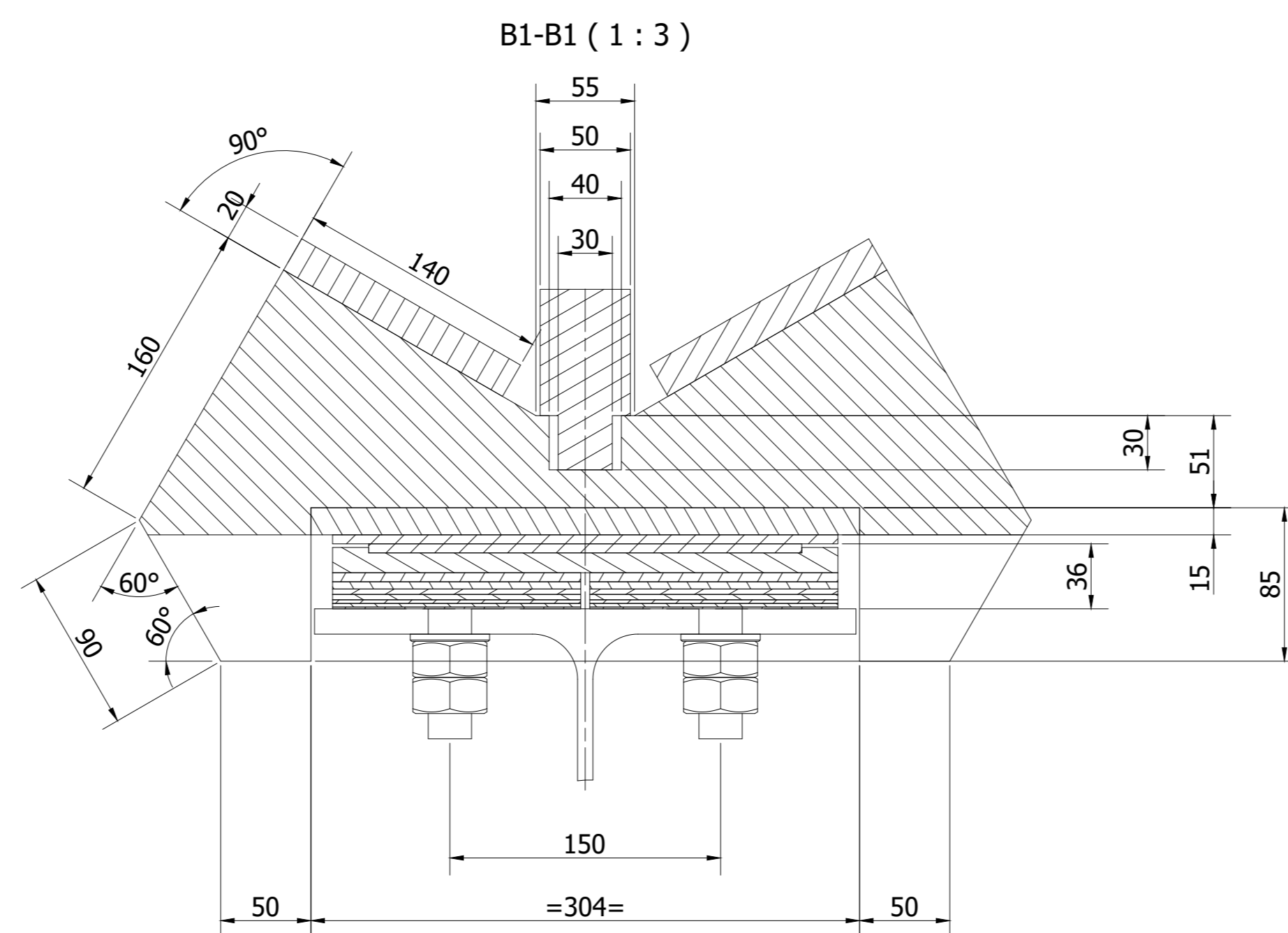
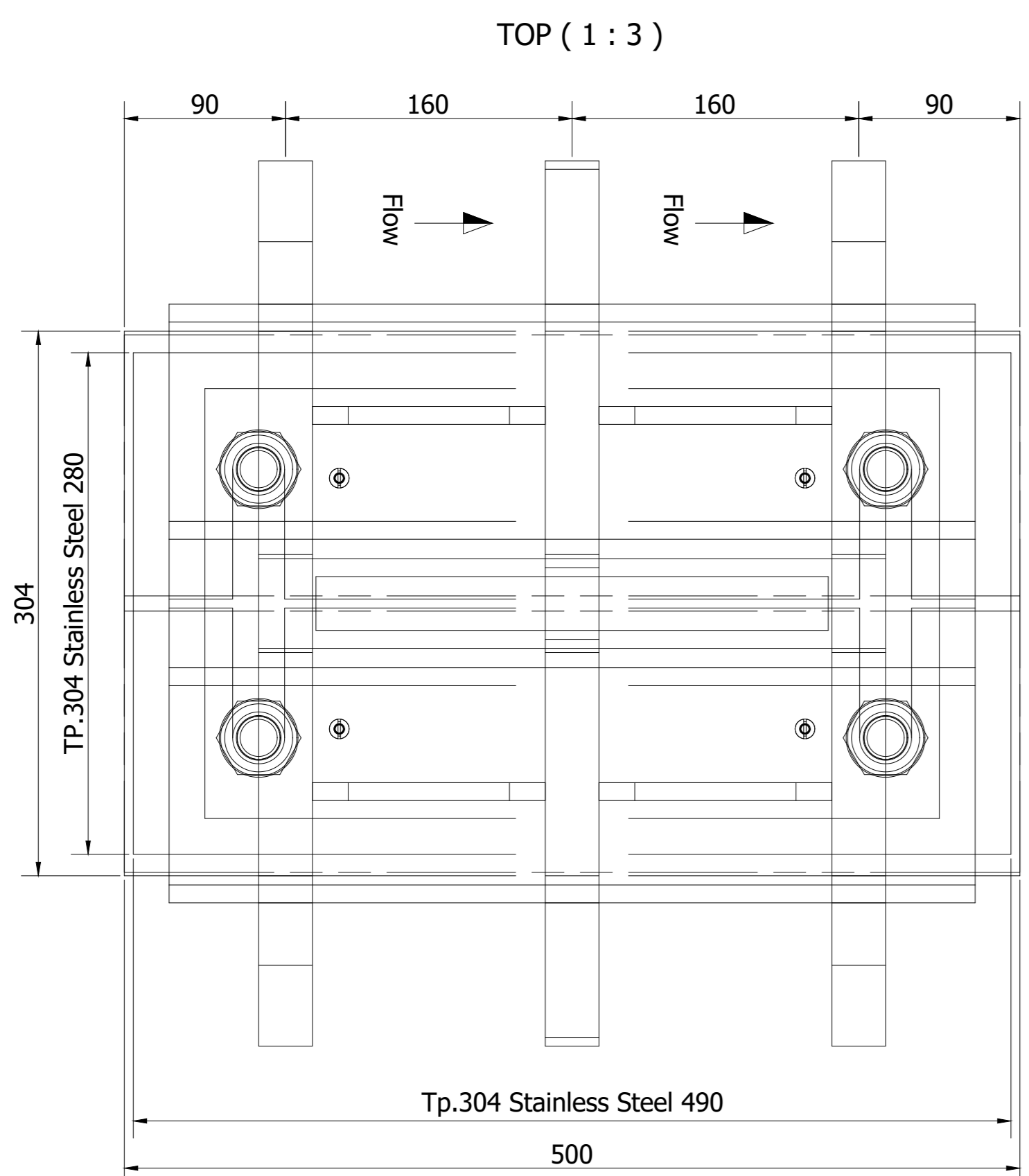
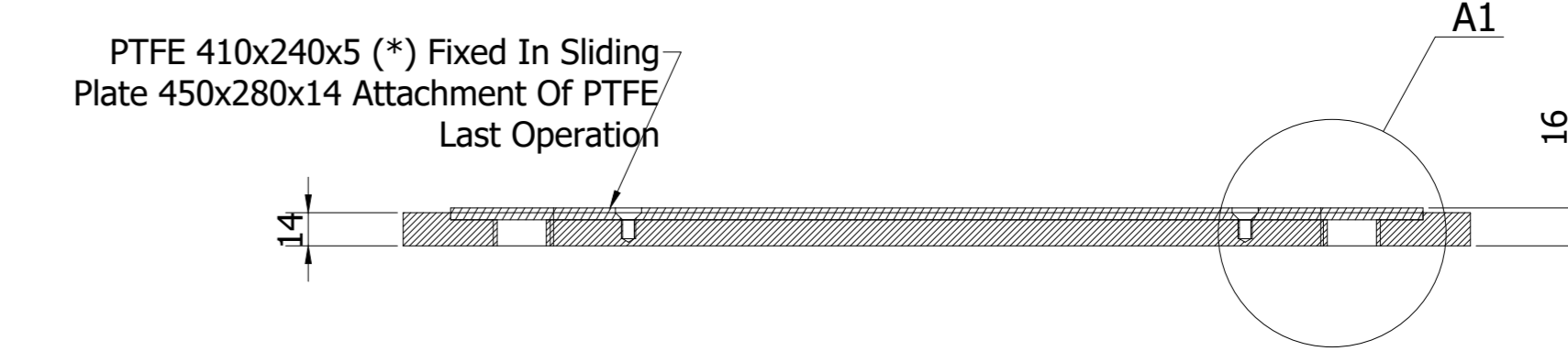
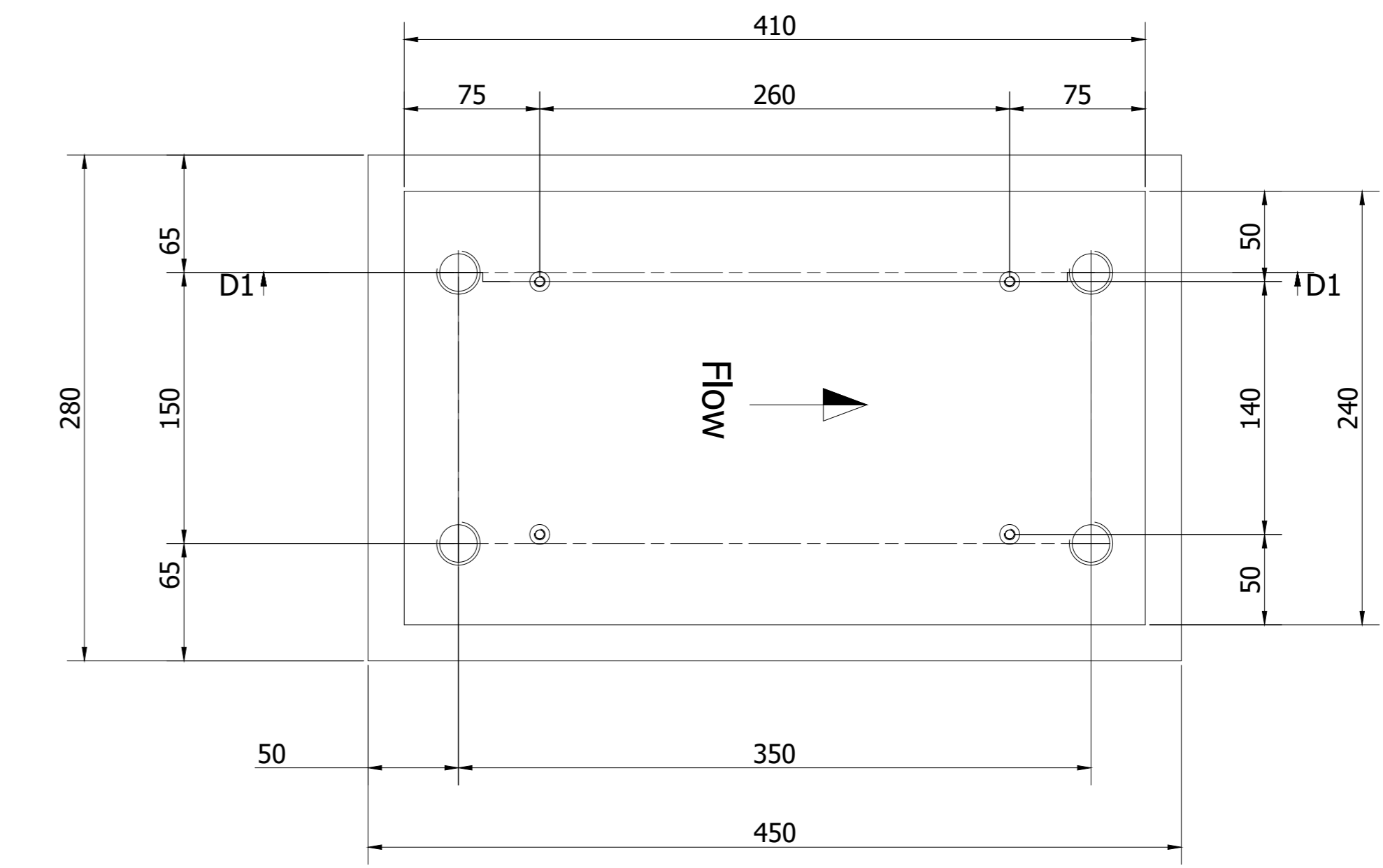
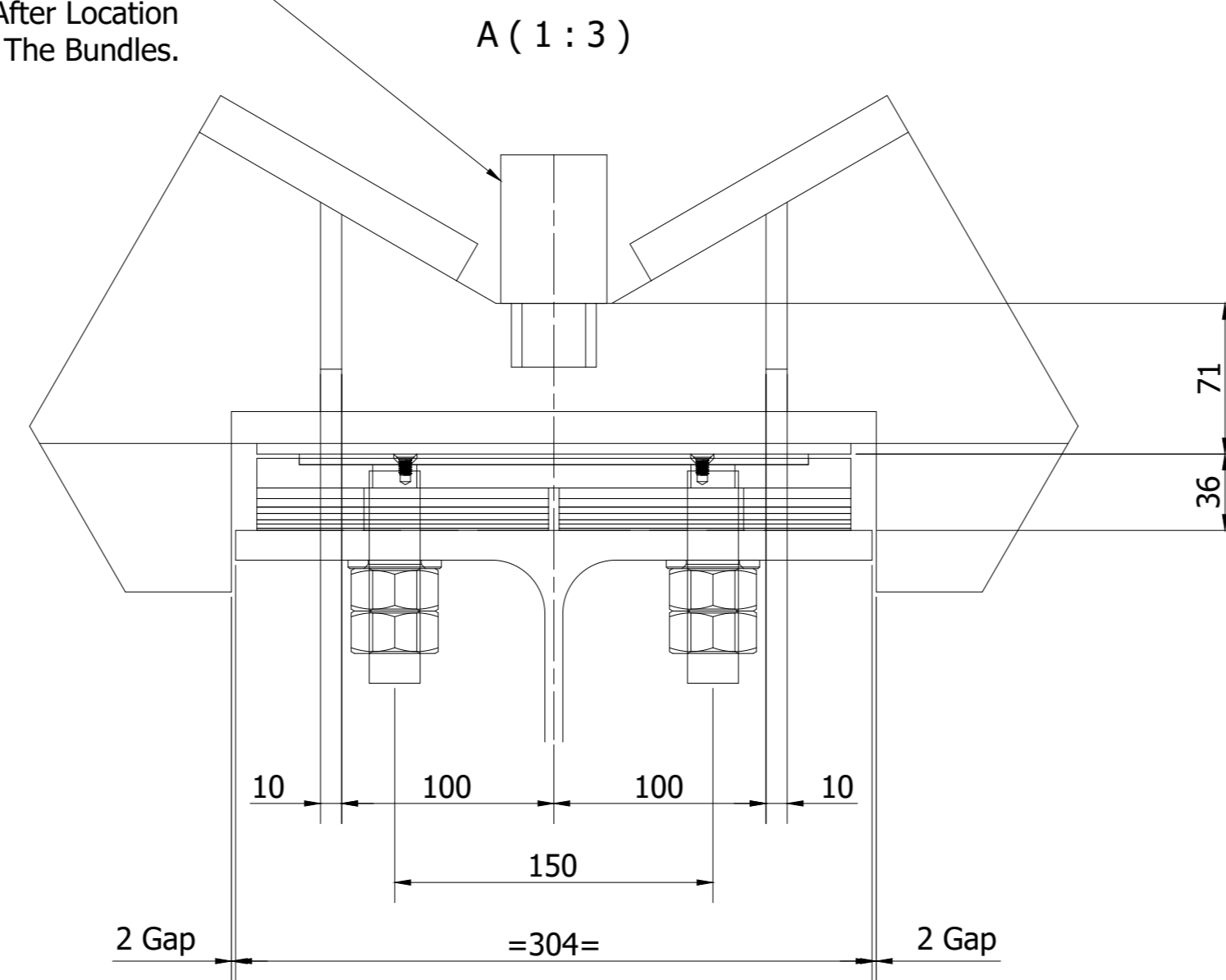
- GENERAL NOTES
 - WELD DIMENSION A=0.7 X THK OF THE LESS THICK PART
 - ALL DIMENSION ARE IN MILLIMETERS
 - GENERAL TOLERANCES ACC. TO DIN 28005 TEIL 1, DIN 28013 AND ASME VIII.
 - EACH REINFORCEMENT PAD WILL BE PROVIDED WITH A VENT HOLE 7/16" PLUGGED AFTER TEST.
 - MATERIAL : A53 Gr B / S235JR / A36 / STEEL IS:2062 GRADE E250A OR EQUIVALENT
 - THE LOCATION OF THE FIELD WELDS (FW) & FIT FIELD WELD (FFW) AS INDICATED ON THE DRAWING HAVE TO BE VERIFIED BY THE MANIFOLDS SUPPLIER WITH REGARDS TO SHIPPING POSSIBILITIES.
 - THE CHANGES MUST BE APPROVED
- REFERENCE DRAWINGS
 - DRG - REG 4010 : STANDARD REQ. FOR DUCTING & MANIFOLDS
- QUANTITY REQUIRED - 8 NOS / UNIT.

Ver.	Date	Name	Remark	Status	Drawn	Date	Name	Document Designation	Content/Key
1	13.05.22	SMK/NS	FIRST ISSUE	PRE	SMK/NS	01.05.22	SMK/NS	SDM START SLIDING SADDLE	DWG 4122
-	-	-	-	-	-	01.05.22	TM	Air Cooled Condenser	-
-	-	-	-	-	-	01.05.22	TM	-	-
-	-	-	-	-	-	-	-	-	-
-	-	-	-	-	-	-	-	-	-
-	-	-	-	-	-	-	-	-	-

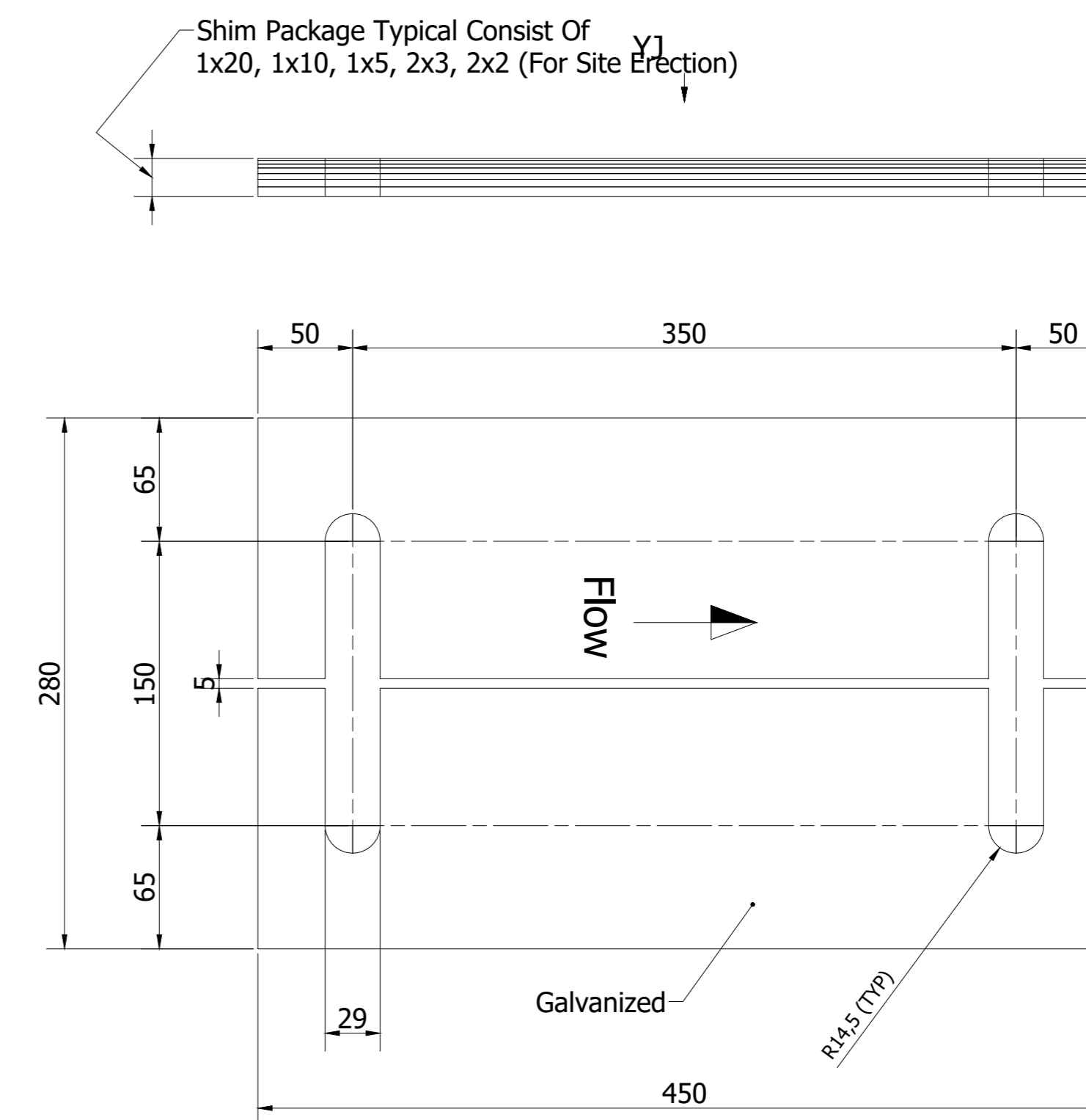
CUSTOMER:		PVUN-NTPC LIMITED	
PROJECT:		PATRATU STTP (3x800 MW)	
CONTRACTOR:		BHARAT HEAVY ELECTRICALS LTD	
		HEEP, HARIDWAR	
Scale:		1:12	
Projection:		PPT-DWG4122 1	
Format:		AO	
Ver.		1	
Page		1/1	



Block 350x70x50 (See Detail - 1)
Welding Of The Central Block (350x70x50)
To Be Performed At Site After Location
And Alignment Of The Bundles.

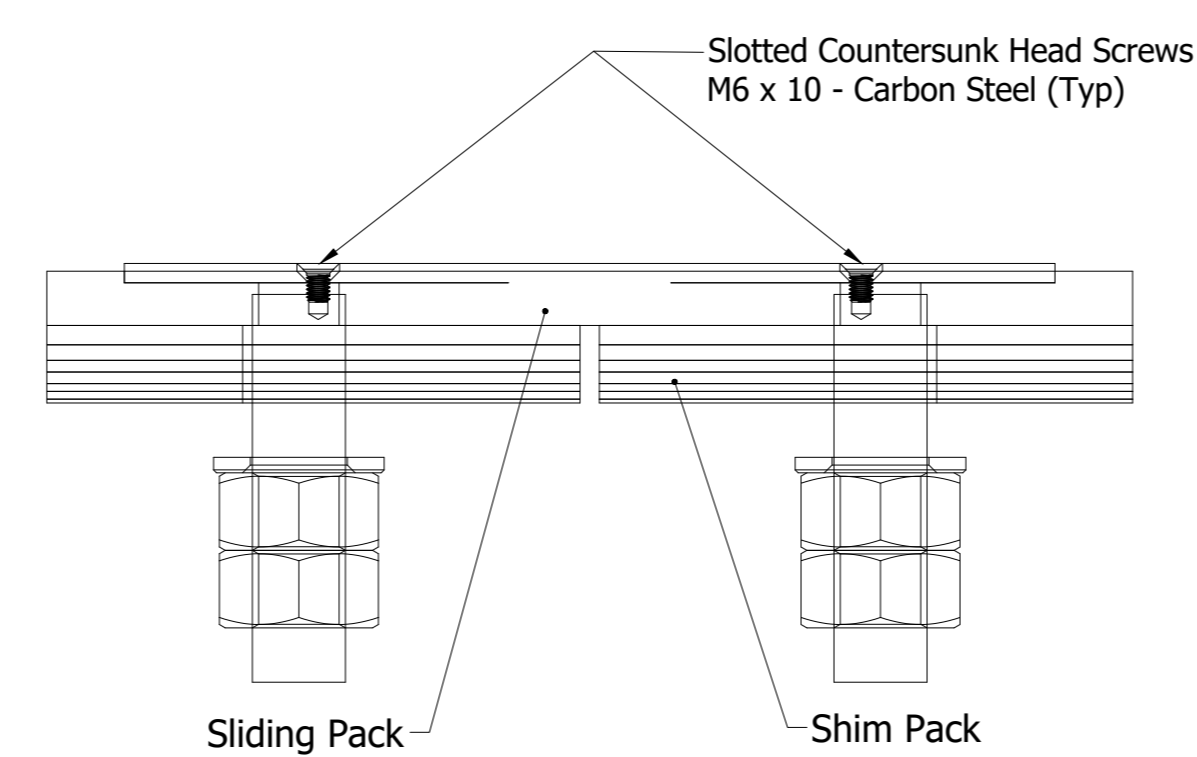


SLIDING PACK FOR STANDARD SLIDING SADDLE
QTY 14 PCS / SDM
(* Use Masking Tape To Protect The PTFE, Remove After The Assembly)



SHIM PACK FOR STANDARD SLIDING SADDLE
QTY = 14 Sets / SDM

STANDARD SLIDING SADDLE
QTY = 14 PCS / SDM



SLIDING PACK ASSEMBLY DETAILS

- GENERAL NOTES
-WELD DIMENSION $a=0.7 \times \text{THK OF THE LESS THICK PART}$
-ALL DIMENSION ARE IN MILLIMETERS
-GENERAL TOLERANCES ACC. TO DIN 28005 TEIL 1, DIN 28013 AND ASME VIII.
-EACH REINFORCEMENT PAD WILL BE PROVIDED WITH A VENT HOLE 7/16" PLUGGED AFTER TEST.
-MATERIAL : A53 Gr B / S235JR / A36 / STEEL IS:2062 GRADE E250A OR EQUIVALENT
-THE LOCATION OF THE FIELD WELDS (FW) & FIT FIELD WELD (FFW) AS INDICATED ON THE DRAWING HAVE TO BE VERIFIED BY THE MANIFOLDS SUPPLIER WITH REGARDS TO SHIPPING POSSIBILITIES.
-THE CHANGES MUST BE APPROVED
- REFERENCE DRAWINGS
DRG - REQ 4010 - STANDARD REQ. FOR DUCTING & MANIFOLDS
- QUANTITY REQUIRED - 14 Nos / SDM.

Ver.	Date	Name	Remark	Status
1	13.05.22	SMK/NS	FIRST ISSUE	PRE

PRE = PRELIMINARY CTD = CERTIFIED DRAWING CFC = CERTIFIED FOR CONSTRUCTION ASB = AS BUILT

CUSTOMER: **PVUN-NTPC LIMITED**
NTPC DRAWING NO.

PROJECT: PATRATU STTP (3x800 MW)

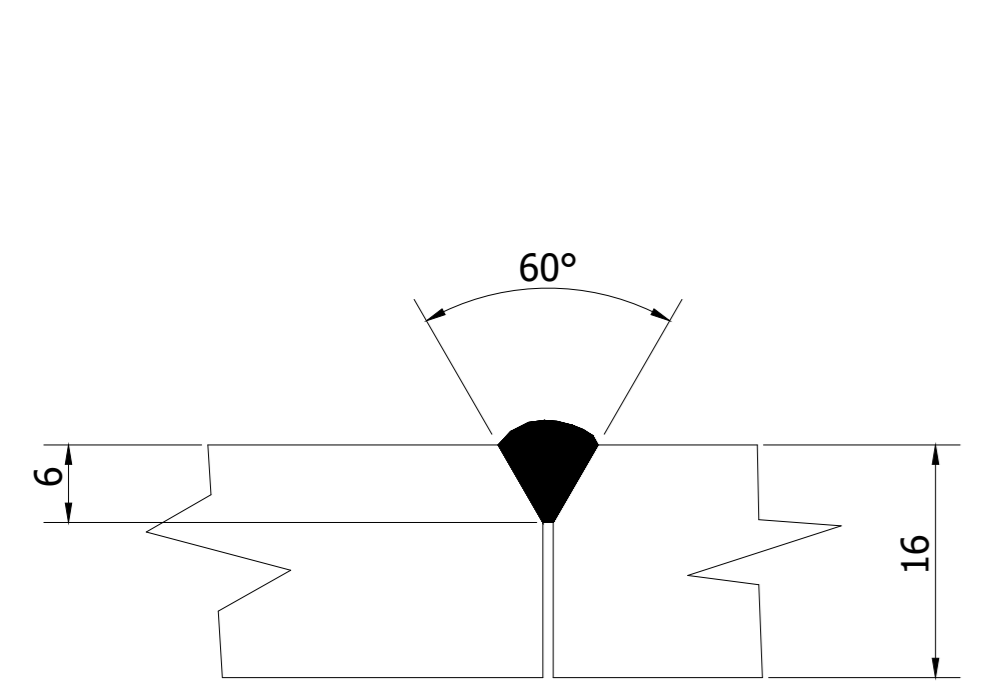
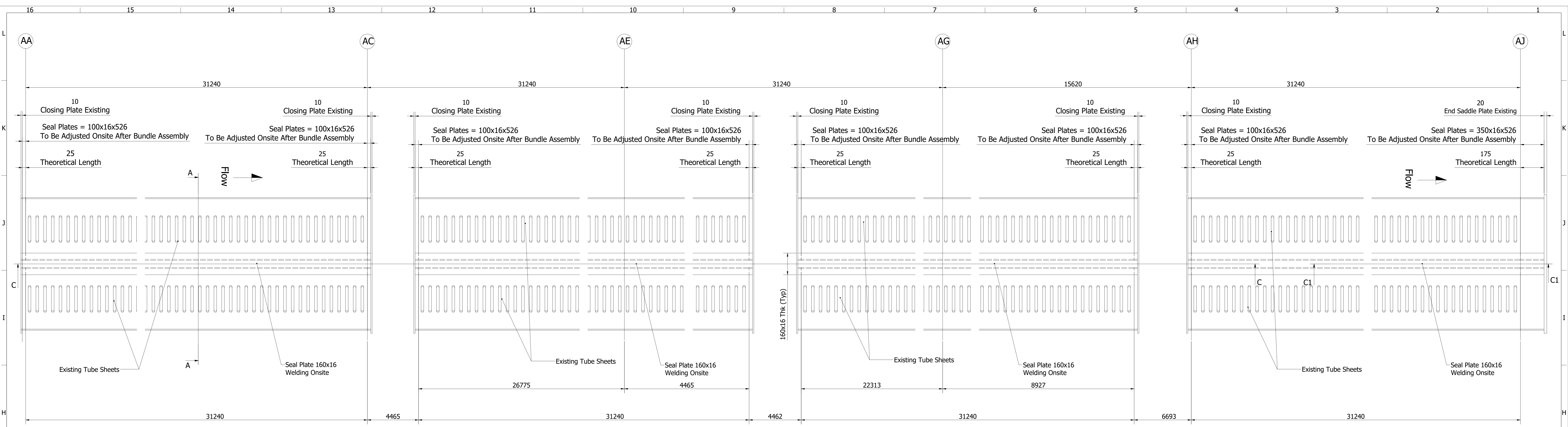
BHARAT HEAVY ELECTRICALS LTD
HEEP, HARIDWAR

Date	Name	Document Designation	Content/Ver
13.05.22	SMK/NS	STANDARD SLIDING SADDLE	DWG 4124
13.05.22	DM	Air Cooled Condenser	
13.05.22	FM		

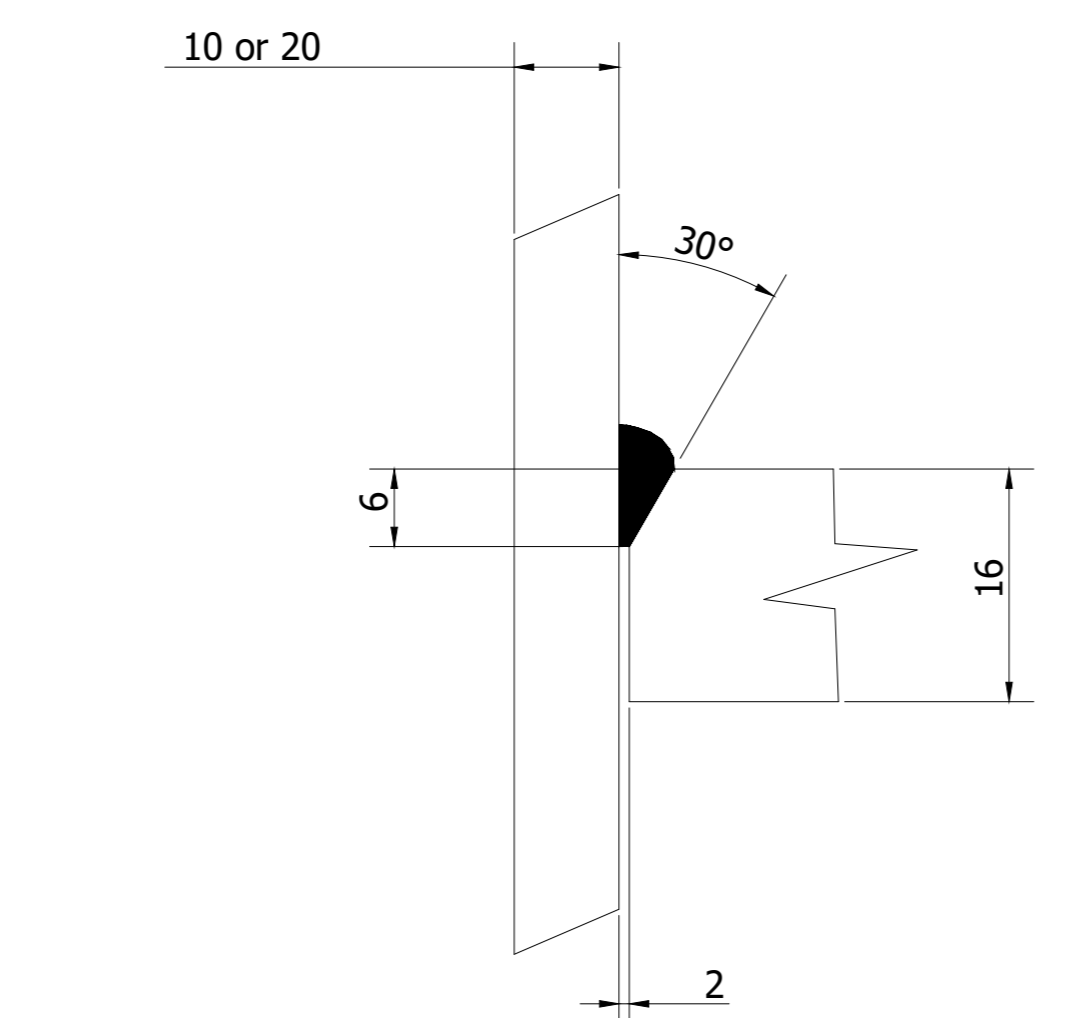
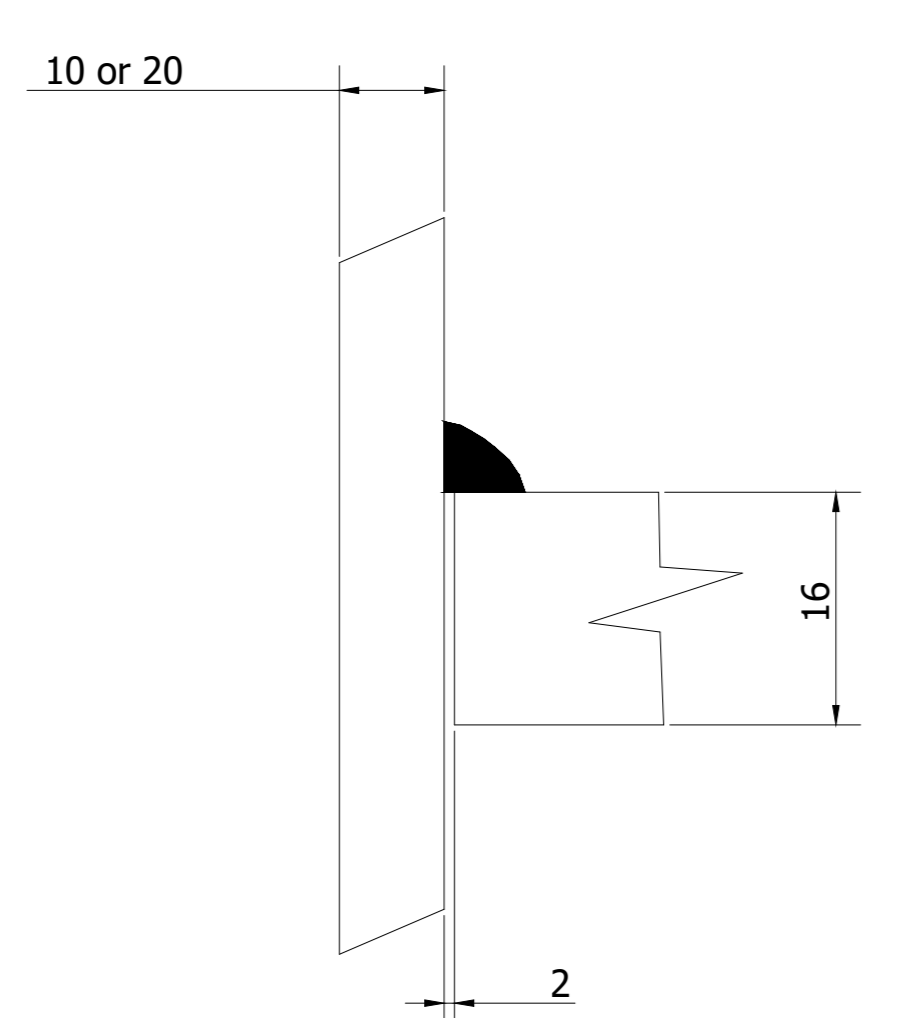
Copyright acc. to ISO 16016

SPG DRY COOLING PAHARPUR

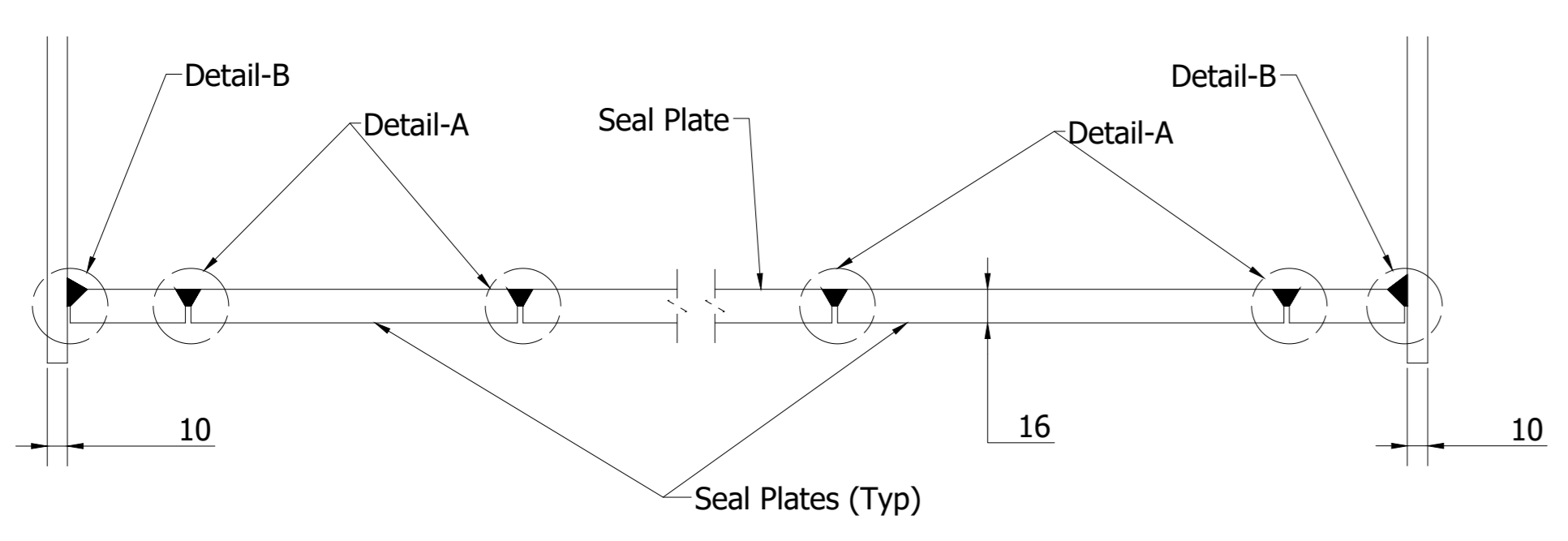
Projection: Scale: 1:3 PTT-DWG4124 1/1/1
Format: AO WB1-101-000568



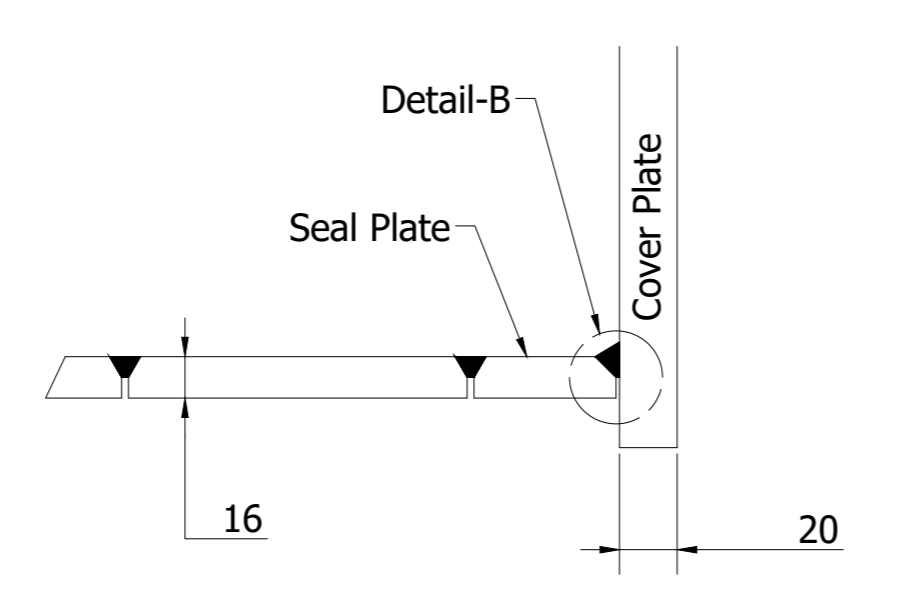
Detail A
Between Tube Sheets and Plates



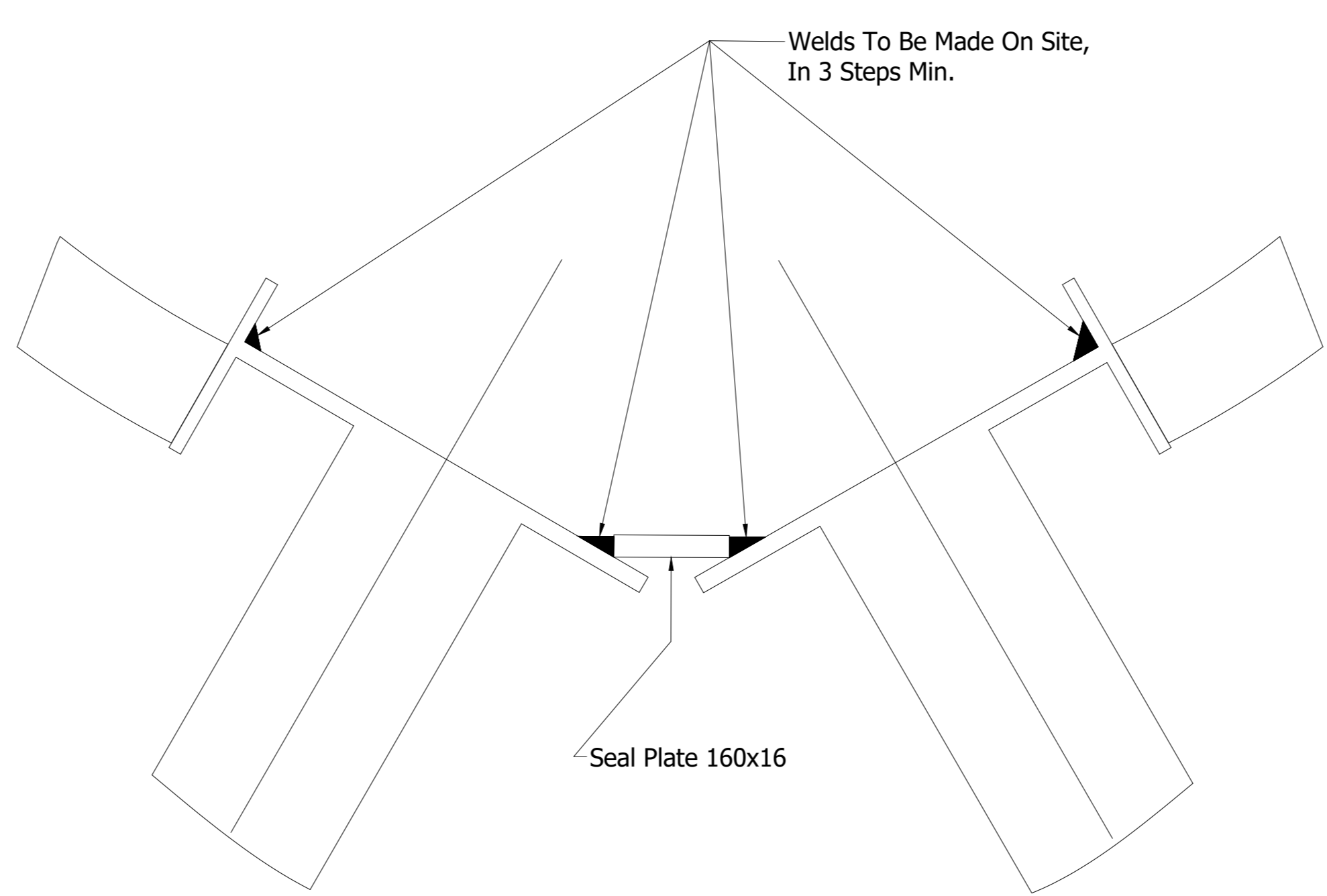
Detail B
(Both Welds Are Acceptable)



Section C-C



Section C1-C1



Section A-A

- GENERAL NOTES**
 - WELD DIMENSION A=0.7 X THK OF THE LESS THICK PART
 - ALL DIMENSION ARE IN MILLIMETERS
 - GENERAL TOLERANCES ACC. TO DIN 28005 TEIL 1, DIN 28013 AND ASME VIII
 - EACH REINFORCEMENT PAD WILL BE PROVIDED WITH A VENT HOLE 7/16" PLUGGED AFTER TEST.
 - MATERIAL - A53 Gr B / S235JR / A36 / STEEL IS:2062 GRADE E250A OR EQUIVALENT
 - THE LOCATION OF THE FIELD WELDS (FW) & FIT FIELD WELD (FFW) AS INDICATED ON THE DRAWING HAVE TO BE VERIFIED BY THE MANIFOLDS SUPPLIER WITH REGARDS TO SHIPPING POSSIBILITIES.
 - THE CHANGES MUST BE APPROVED
- REFERENCE DRAWINGS**
 - DRG - REQ 4010 : STANDARD REQ. FOR DUCTING & MANIFOLDS
- QUANTITY REQUIRED - 1 NO / SDM**

Ver.	Date	Name	Remark	Status
1	13.05.22	SMK/NS	FIRST ISSUE	PRE
-	-	-	-	-
-	-	-	-	-
-	-	-	-	-

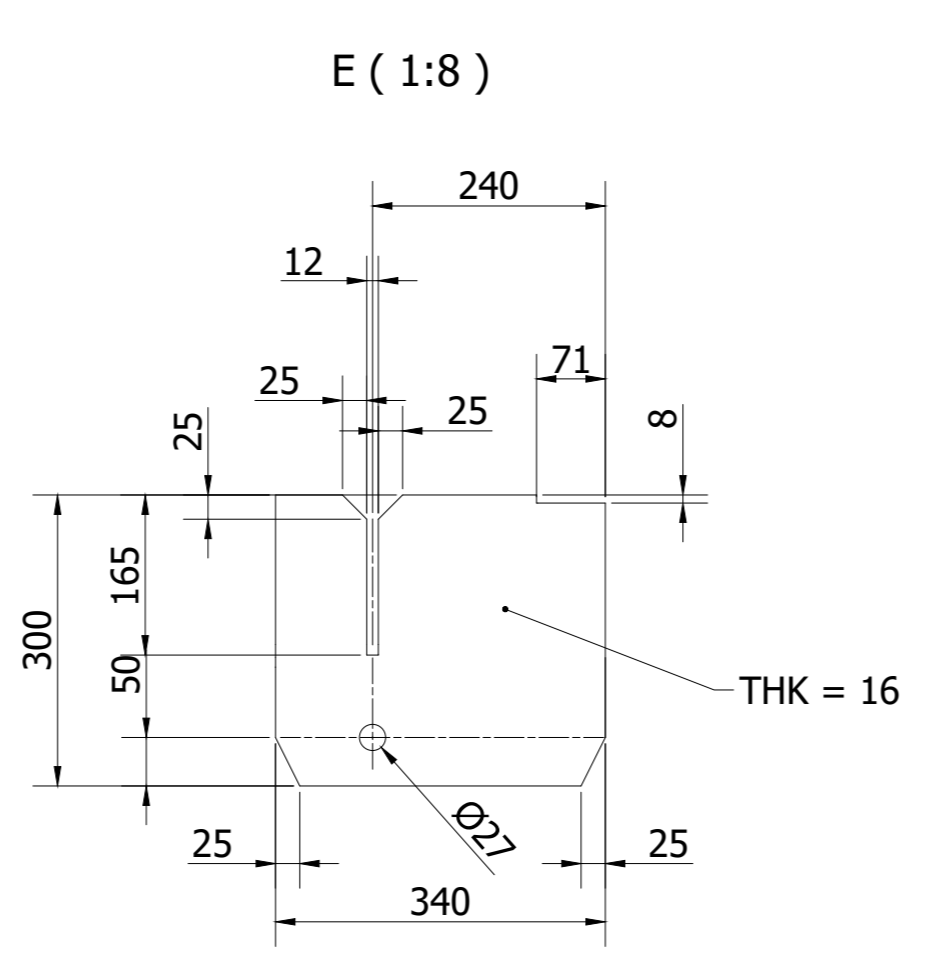
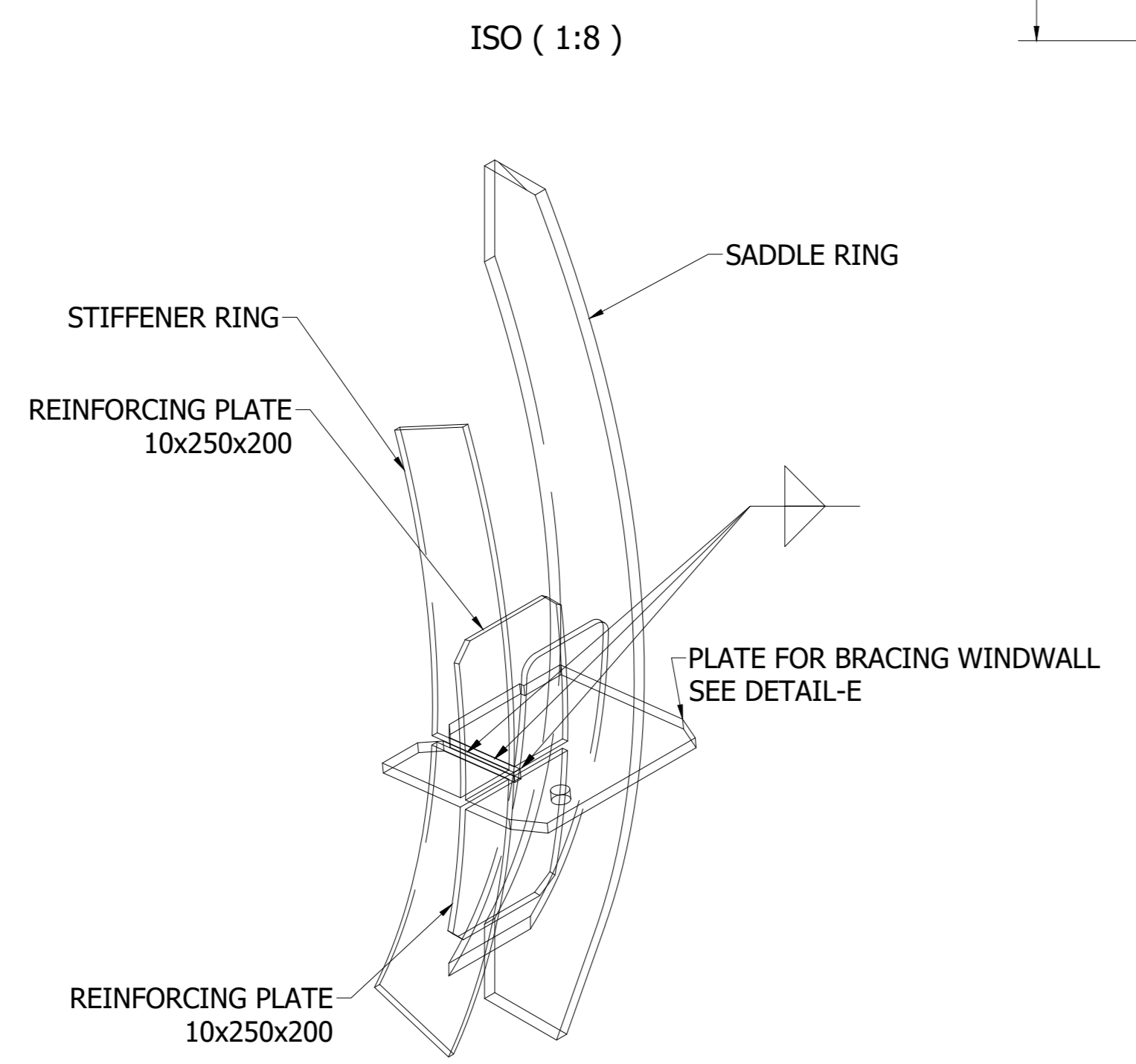
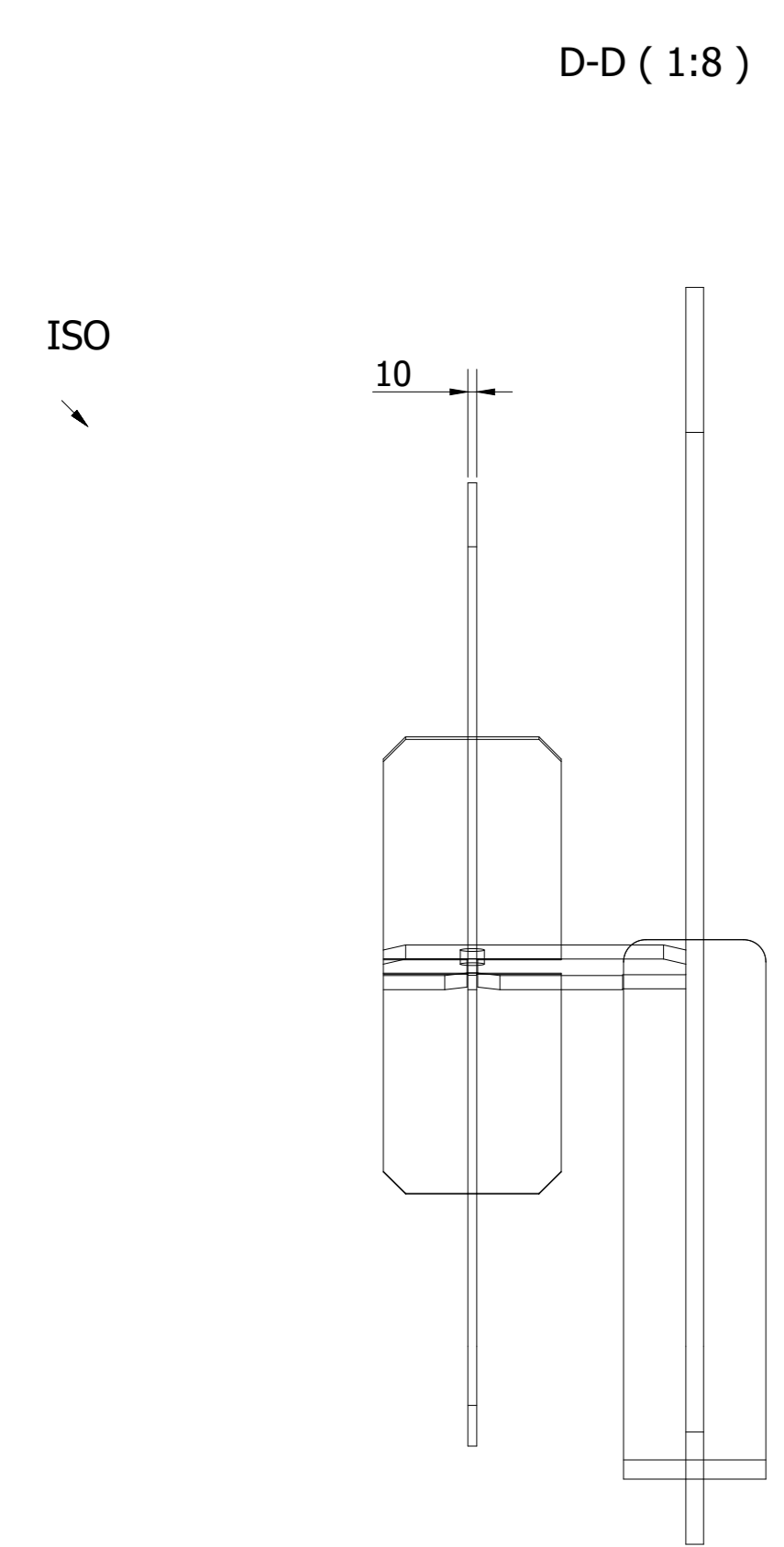
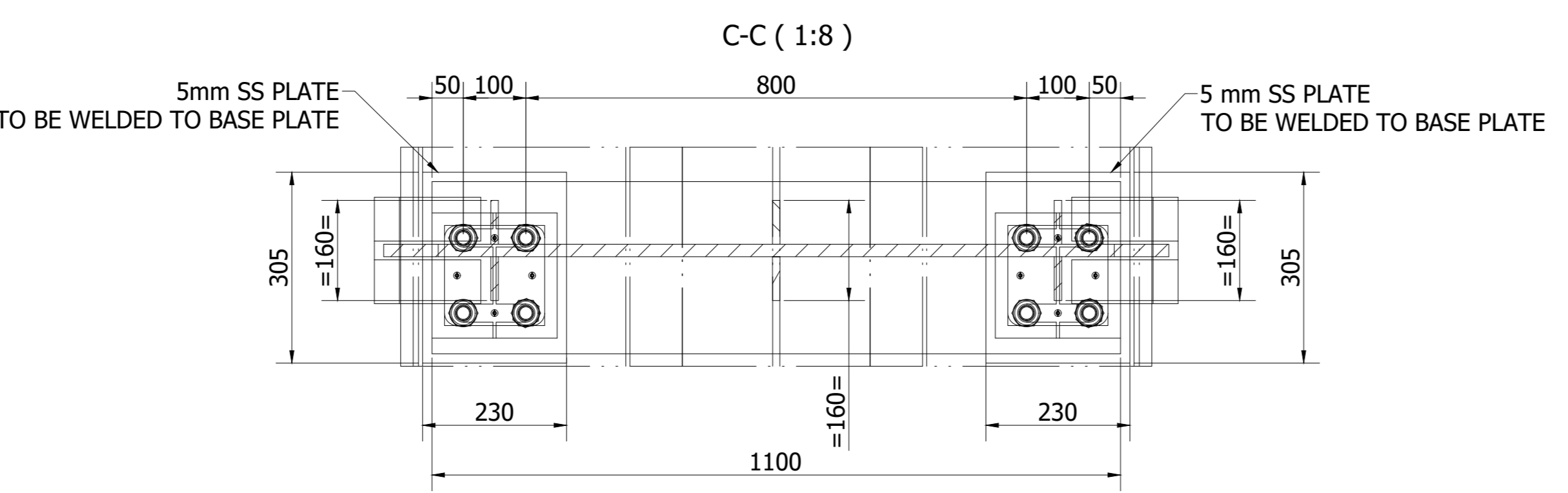
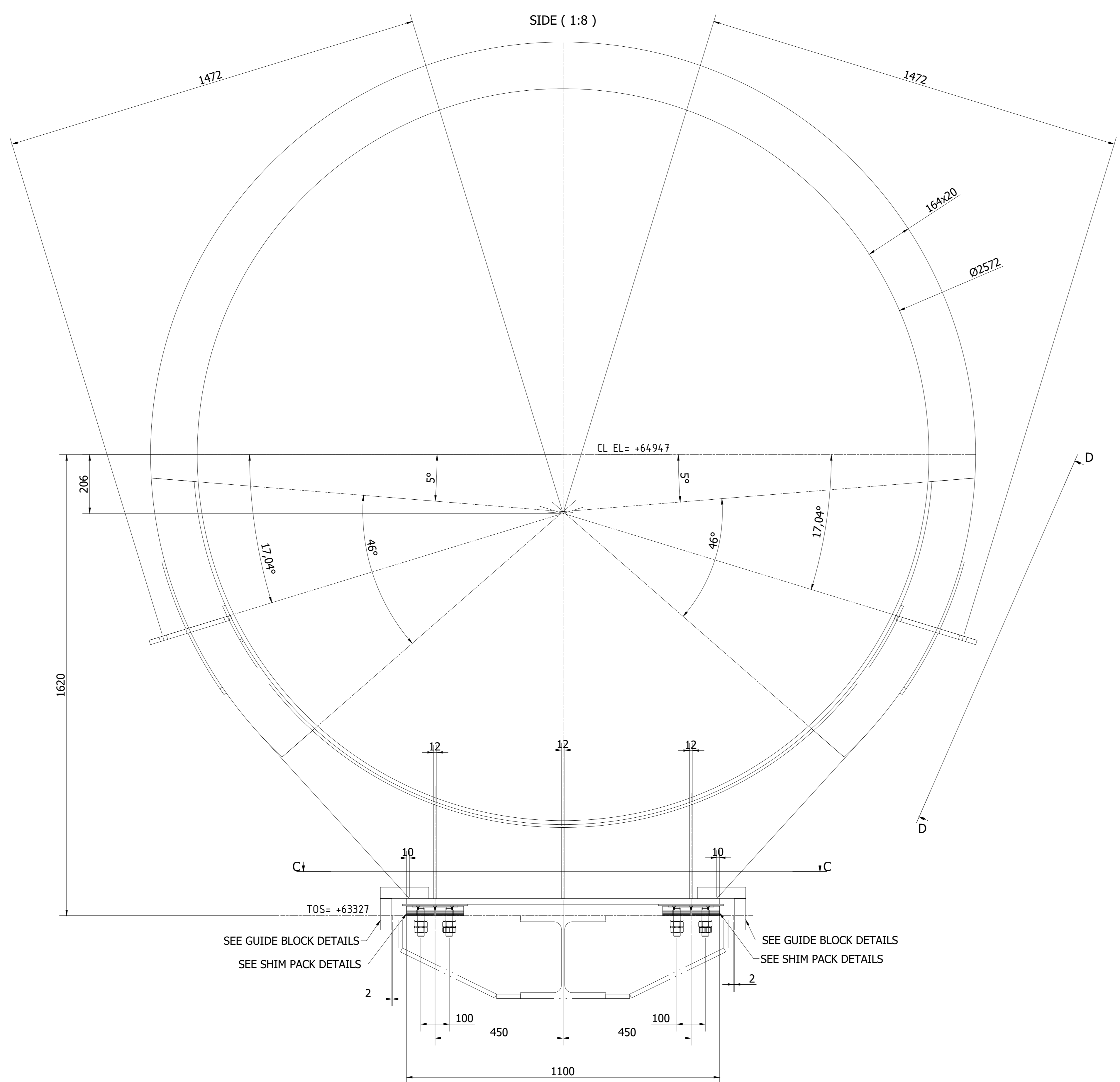
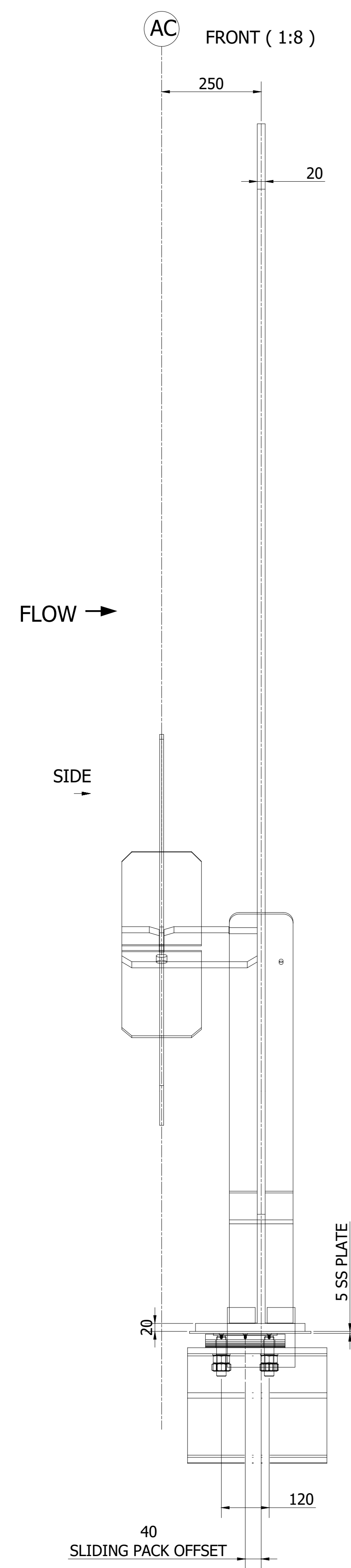
PRE = PRELIMINARY CTD = CERTIFIED DRAWING CFC = CERTIFIED FOR CONSTRUCTION ASB = AS BUILT

CUSTOMER:
PVUN-NTPC LIMITED
 NTPC DRAWING NO.

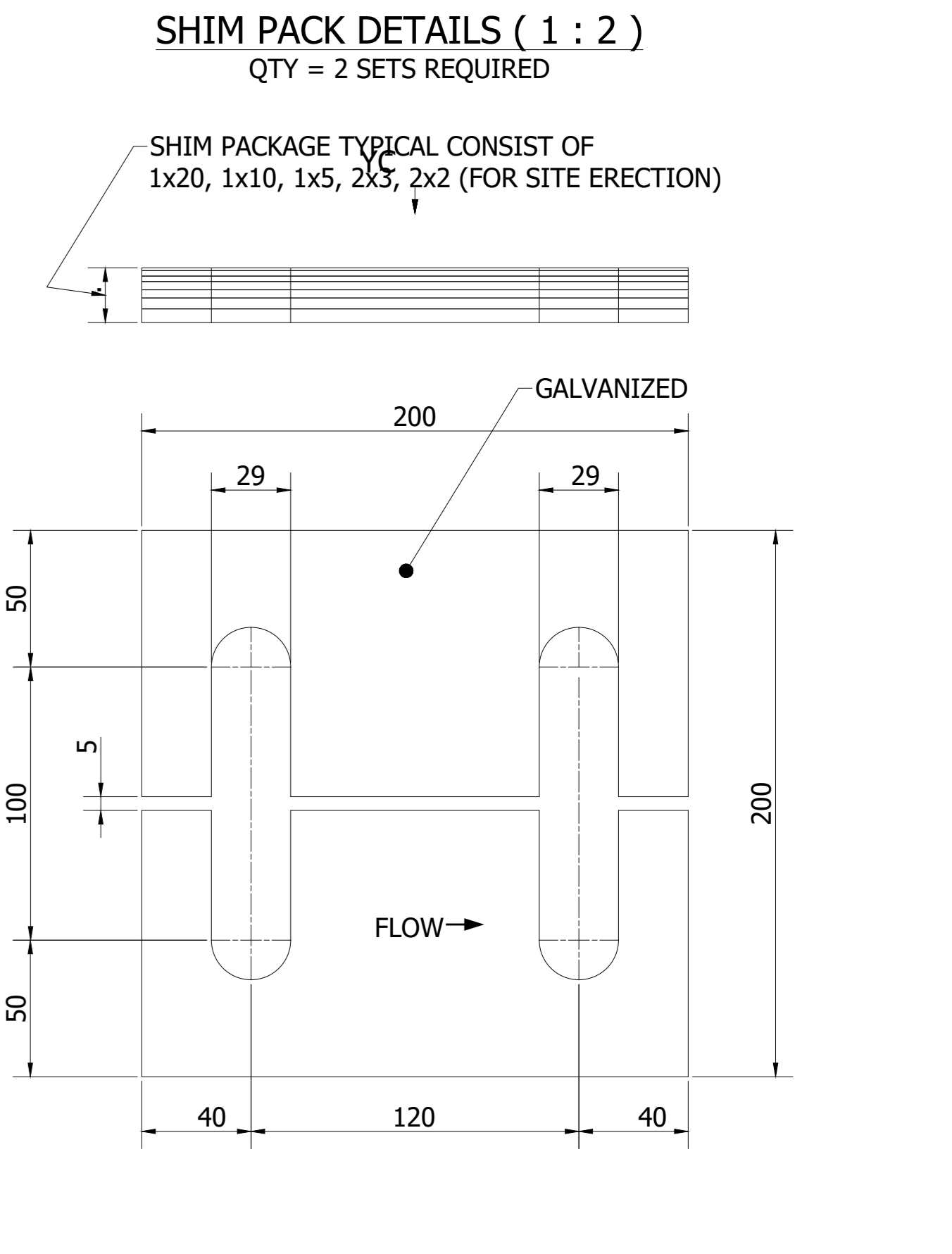
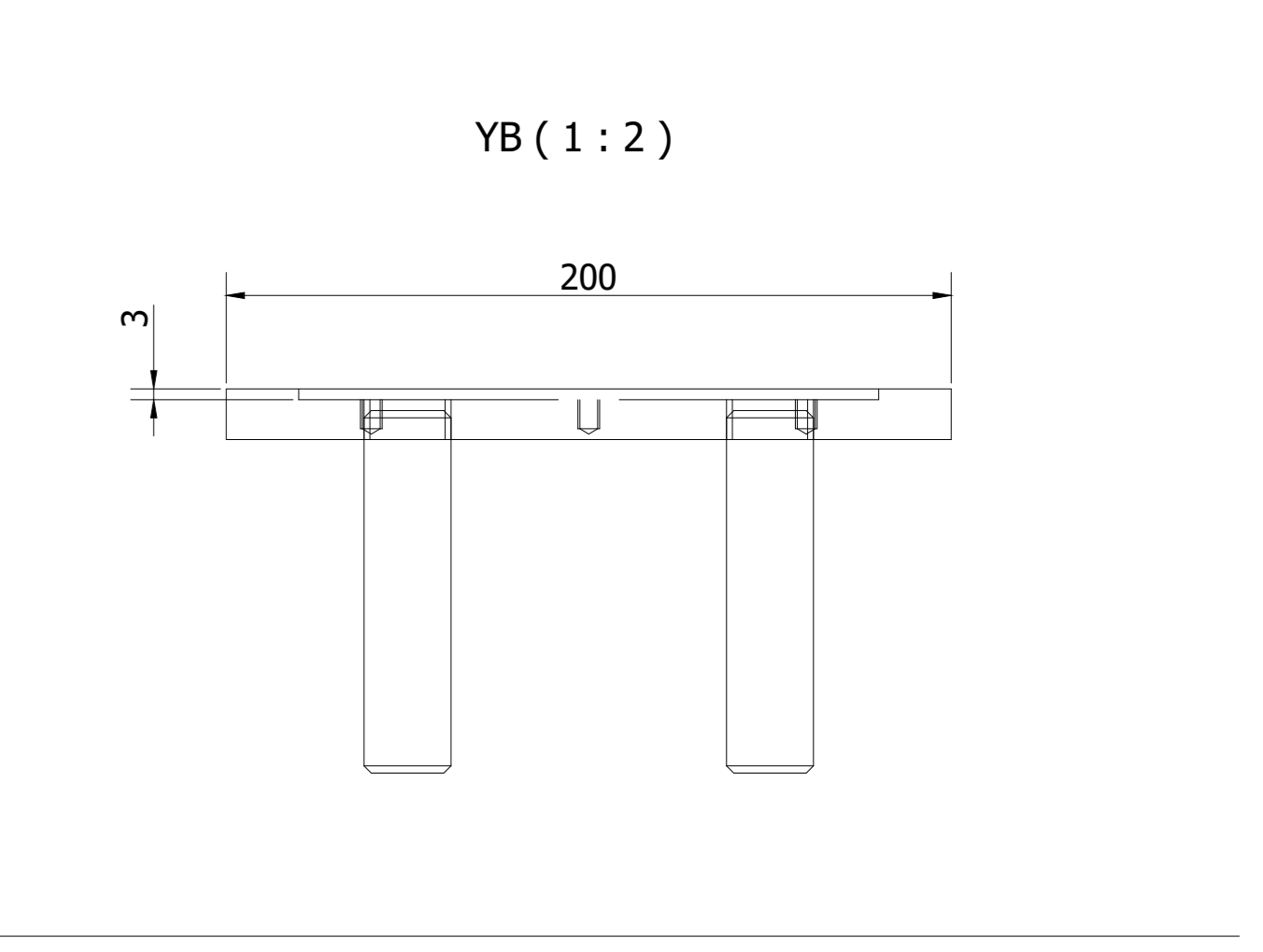
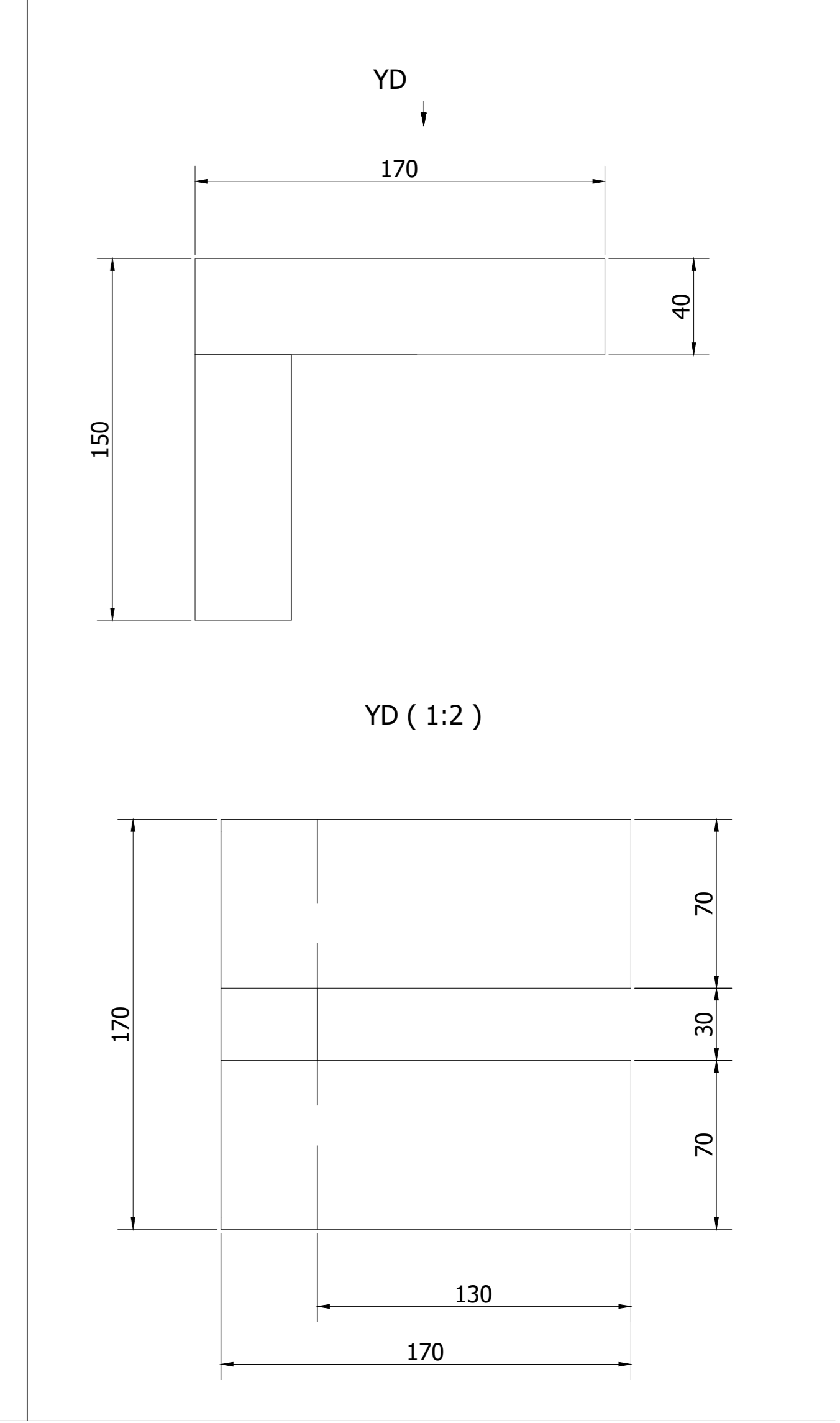
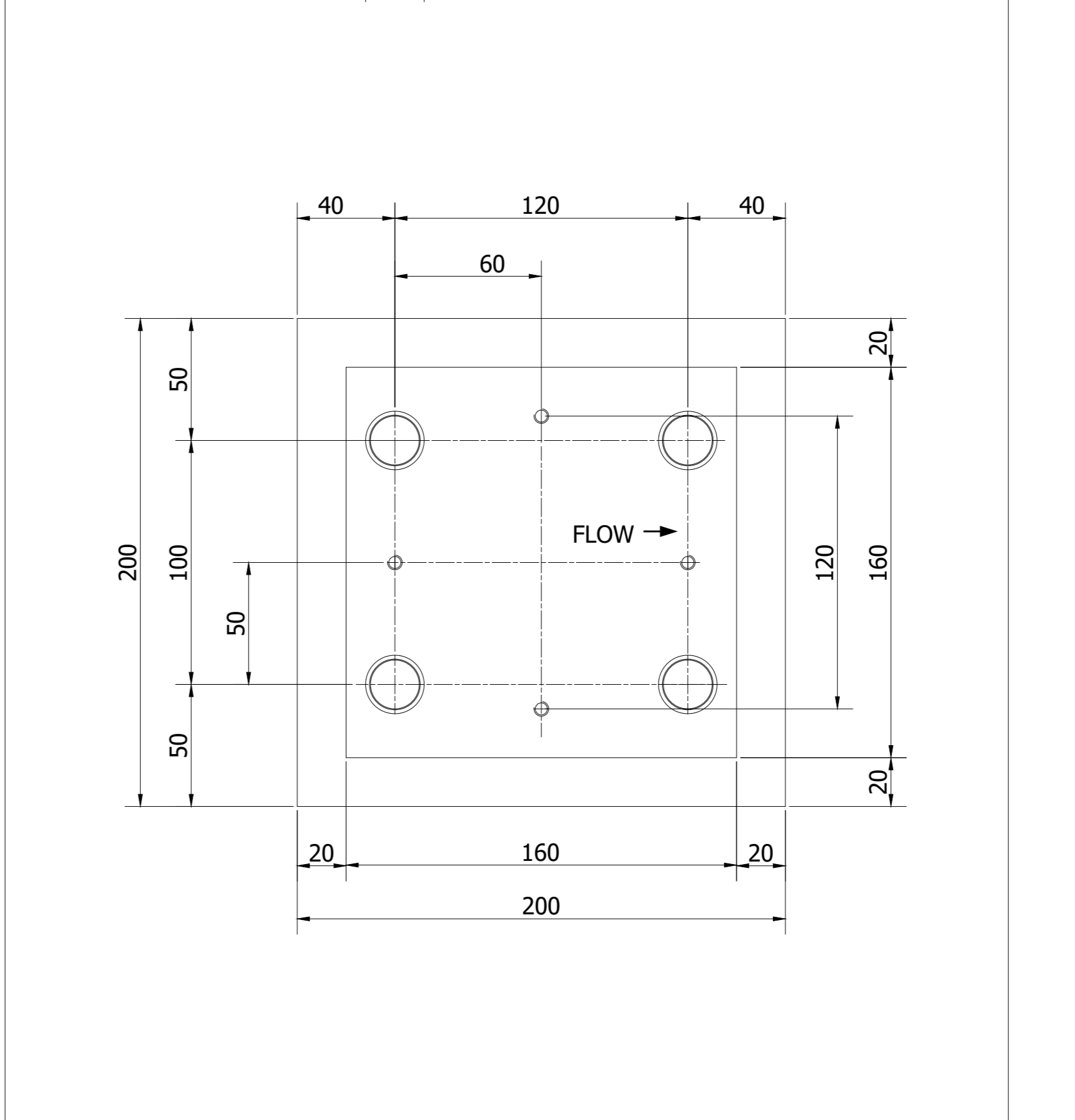
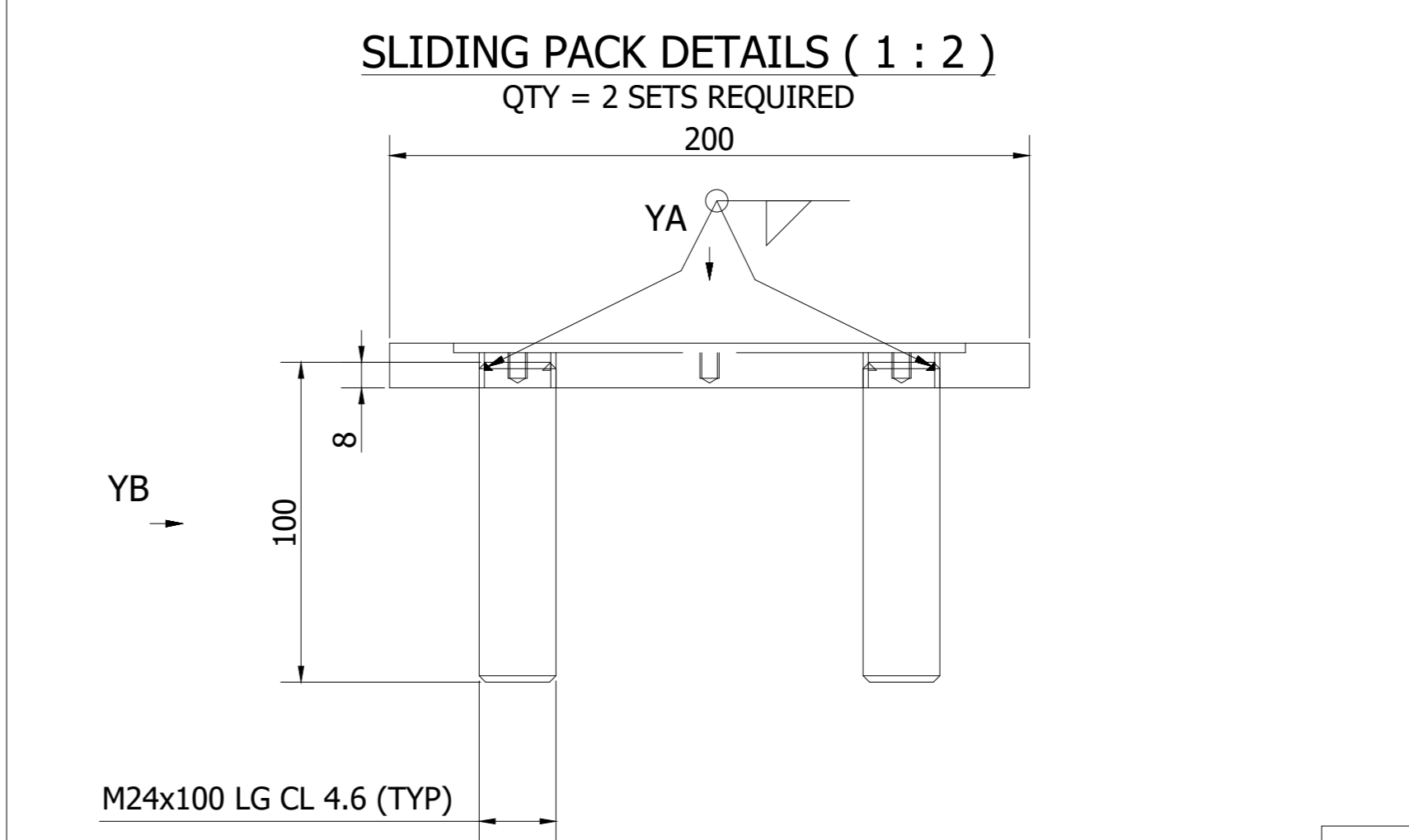
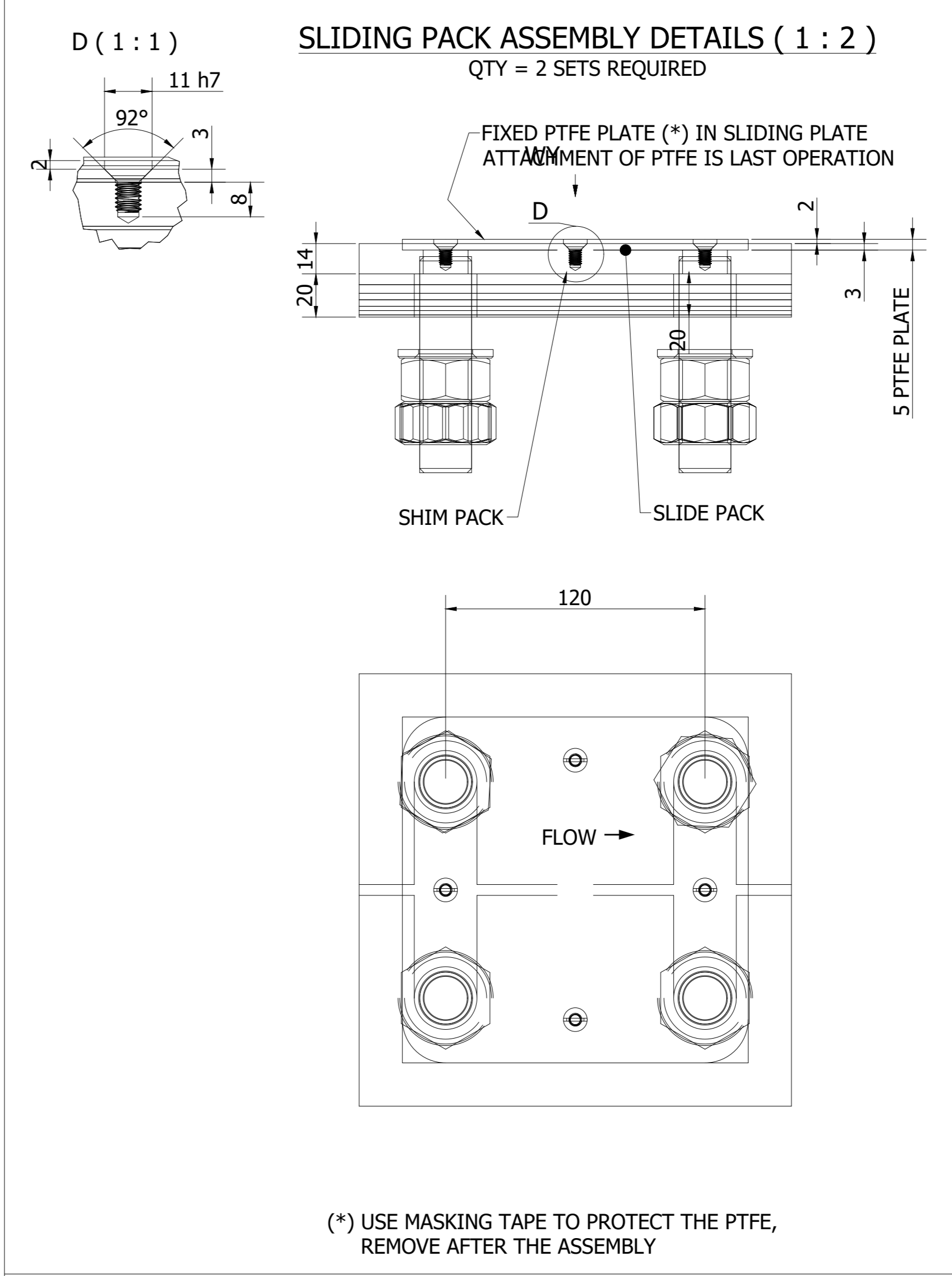
PROJECT:
BHARAT HEAVY ELECTRICALS LTD
 HECP, HARIDWAR

Date	Name	Document Designation	Content/Key
13.05.22	SMK/NS	SEAL PLATES DETAILS	DWG 4126
13.05.22	DM	Air Cooled Condenser	
13.05.22	FM		

SPG DRY COOLING Projection: Scale: 1:10 Document Id: PTT-DWG4126 1 / 1
 Format: AO WB1-101-000568



- GENERAL NOTES:
 - WELD DIMENSION A=0.7 X THK OF THE LESS THICK PART
 - ALL DIMENSION ARE IN MILLIMETERS
 - GENERAL TOLERANCES ACC. TO DIN 28005 TEIL 1, DIN 28013 AND ASME VIII.
 - EACH REINFORCEMENT PAD WILL BE PROVIDED WITH A VENT HOLE 7/16" PLUGGED AFTER TEST.
 - MATERIAL : S235JR OR EQUIVALENT
 - THE LOCATION OF THE FIELD WELDS (FW) & FIT FIELD WELD (FFW) ,AS INDICATED ON THE DRAWING.
 - HAVE TO BE VERIFIED BY THE MANIFOLDS SUPPLIER WITH REGARDS TO SHIPPING POSSIBILITIES. THE CHANGES MUST BE APPROVED
- WIND WALL BRACKETS NOTES:
 - FOR STREET-1 - WIND WALL BRACKETS ARE APPLICABLE ON RIGHT SIDE WHILE LOOKING TOWARDS FLOW DIRECTION
 - FOR STREET-2 TO STREET-7 - WIND WALL BRACKETS ARE NOT APPLICABLE ON BOTH SIDE WHILE LOOKING TOWARDS FLOW DIRECTION
 - FOR STREET-8 - WIND WALL BRACKETS ARE APPLICABLE ON LEFT SIDE WHILE LOOKING TOWARDS FLOW DIRECTION
- REFERENCE DRAWINGS:
 - DRG - REG 4010 : STANDARD REQ. FOR DUCTING & MANIFOLDS
- QUANTITY REQUIRED: 08 NOs / UNIT



Ver.	Date	Name	Remark	Status
1	13.05.22	SMK/NS	FIRST ISSUE	PRE

CUSTOMER: **PVUN-NTPC LIMITED**
NTPC DRAWING NO. PATRATU STTP (3x800 MW)

PROJECT: **BHARAT HEAVY ELECTRICALS LTD**
HEEP, HARIDWAR

Document Designation: **SDM SPECIAL SLIDING SADDLE-1**
Air Cooled Condenser

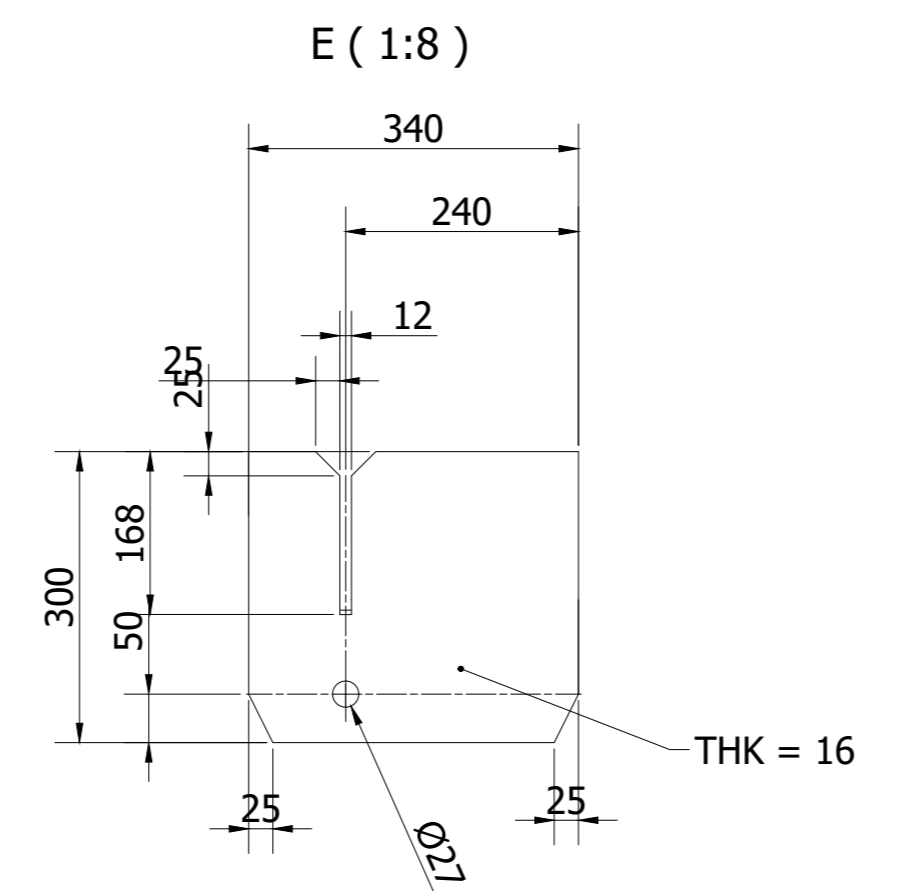
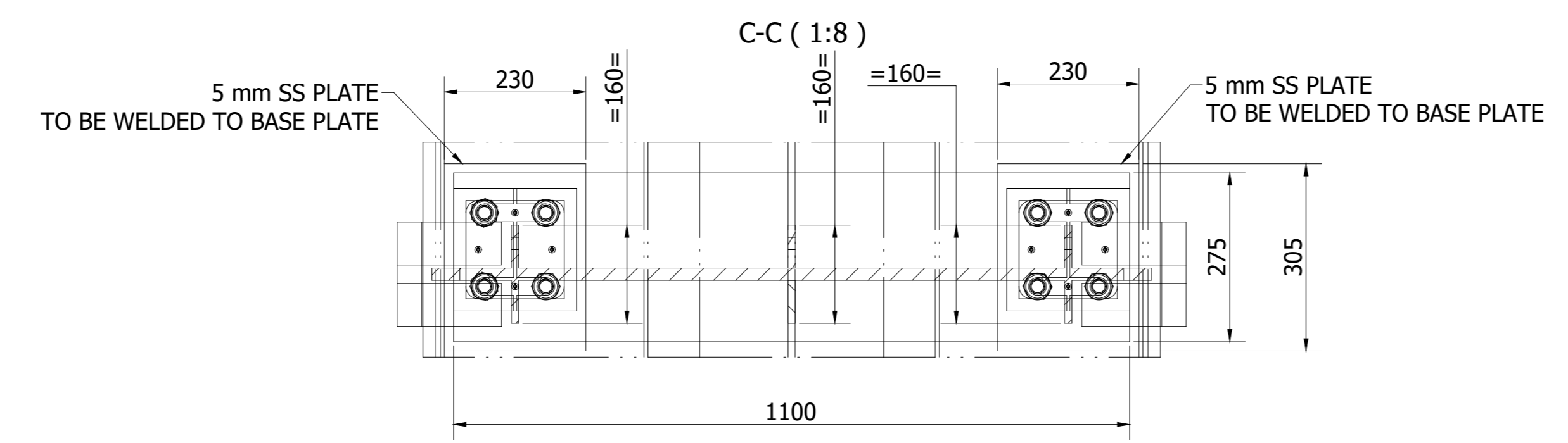
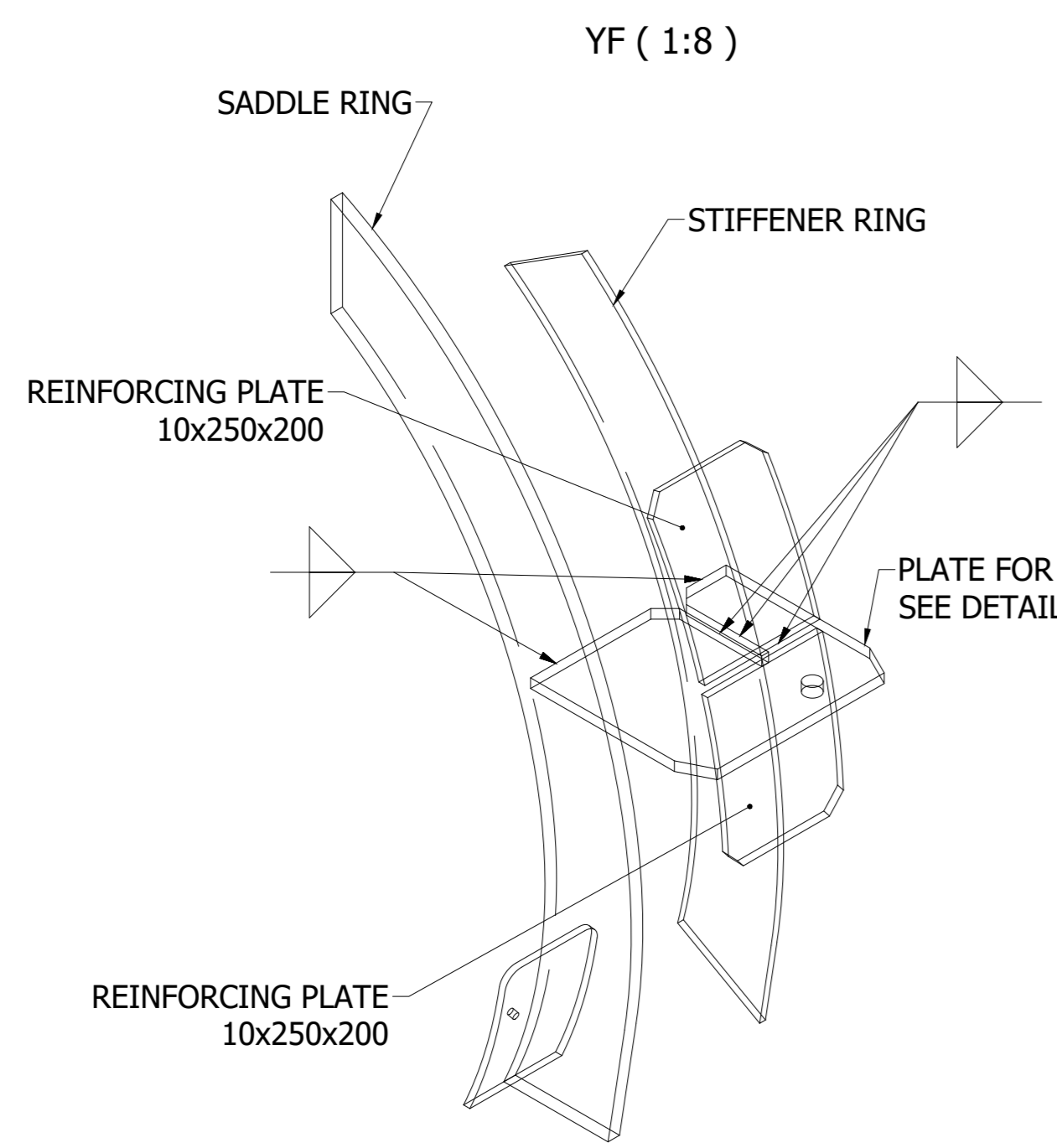
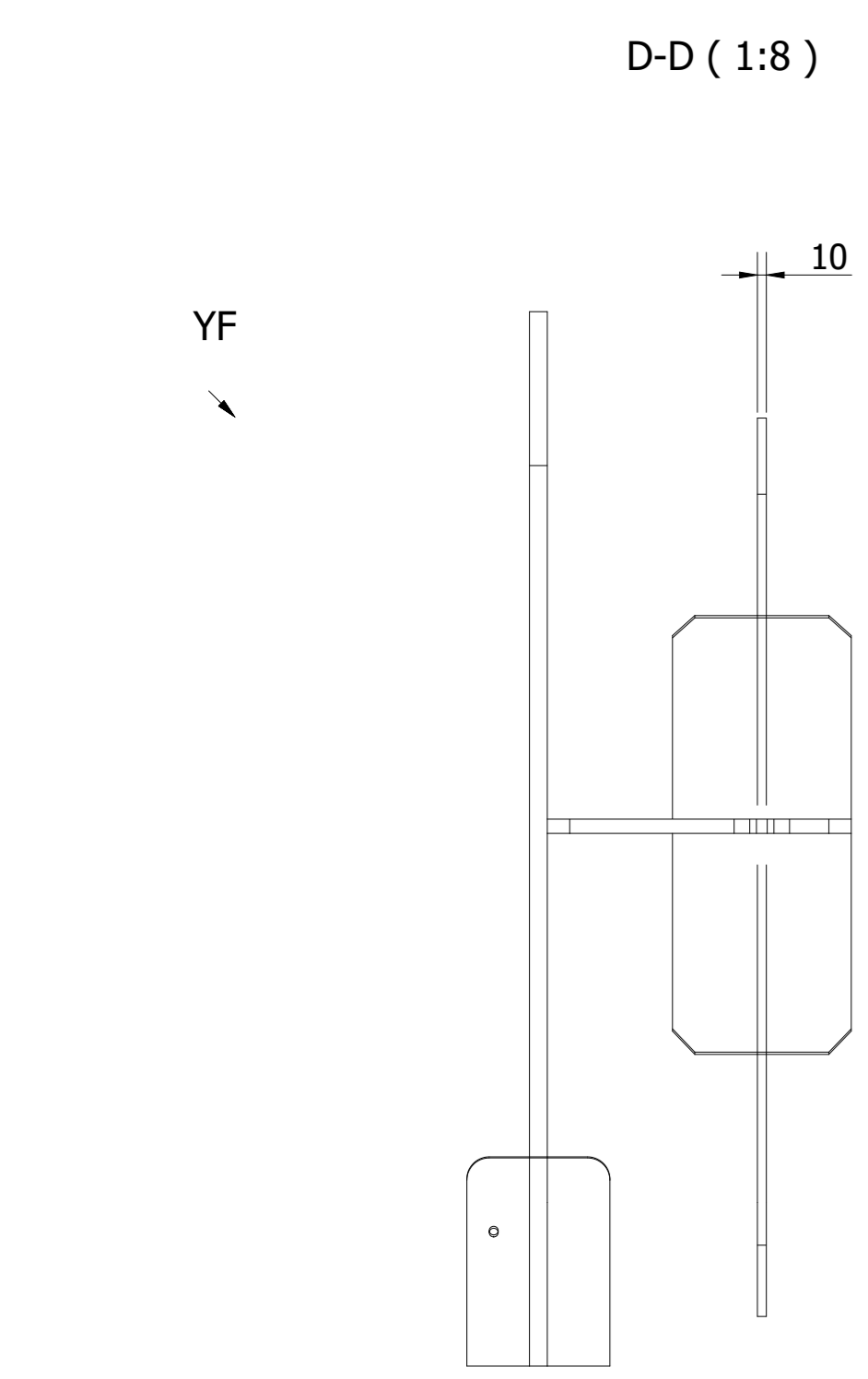
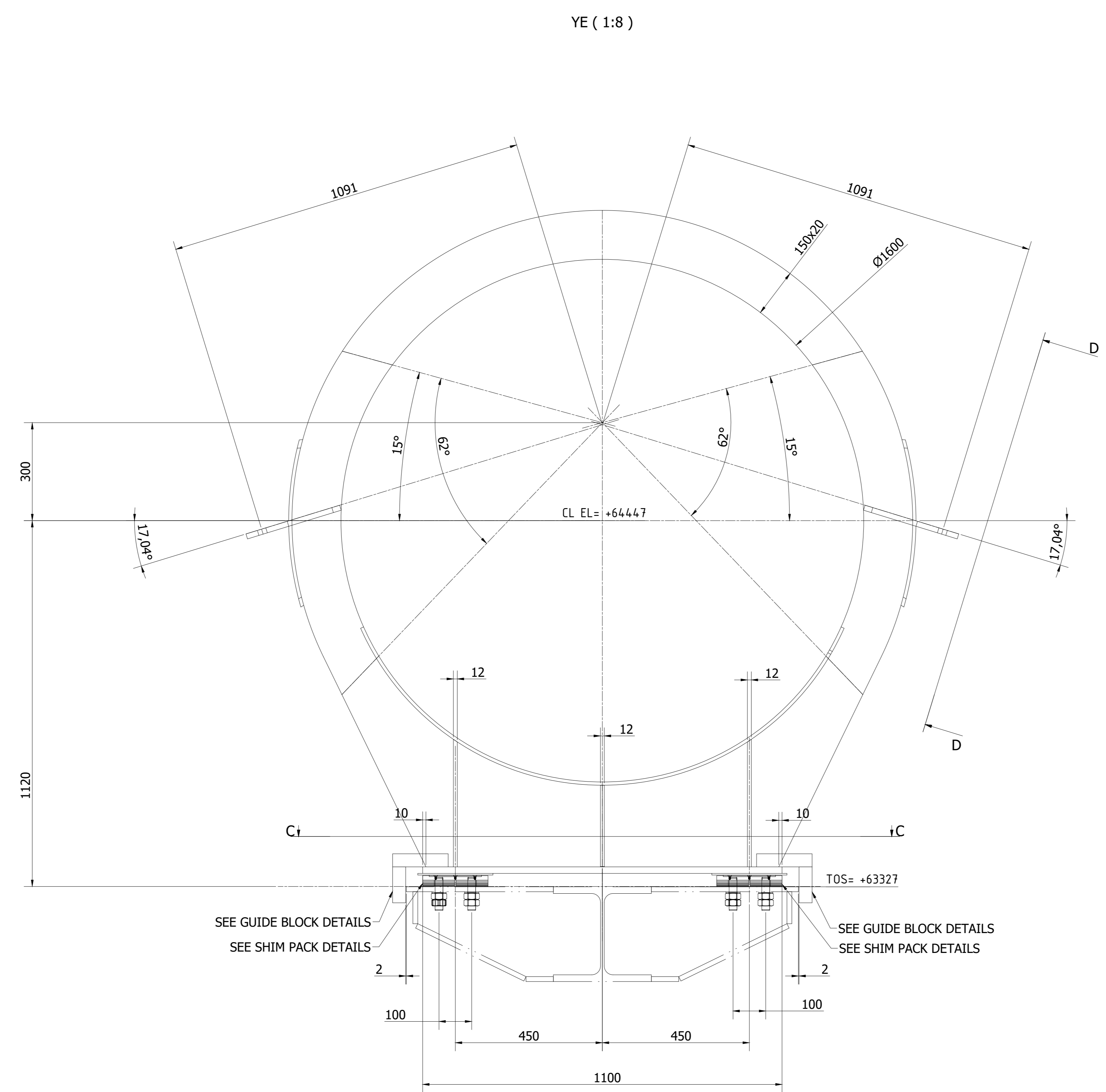
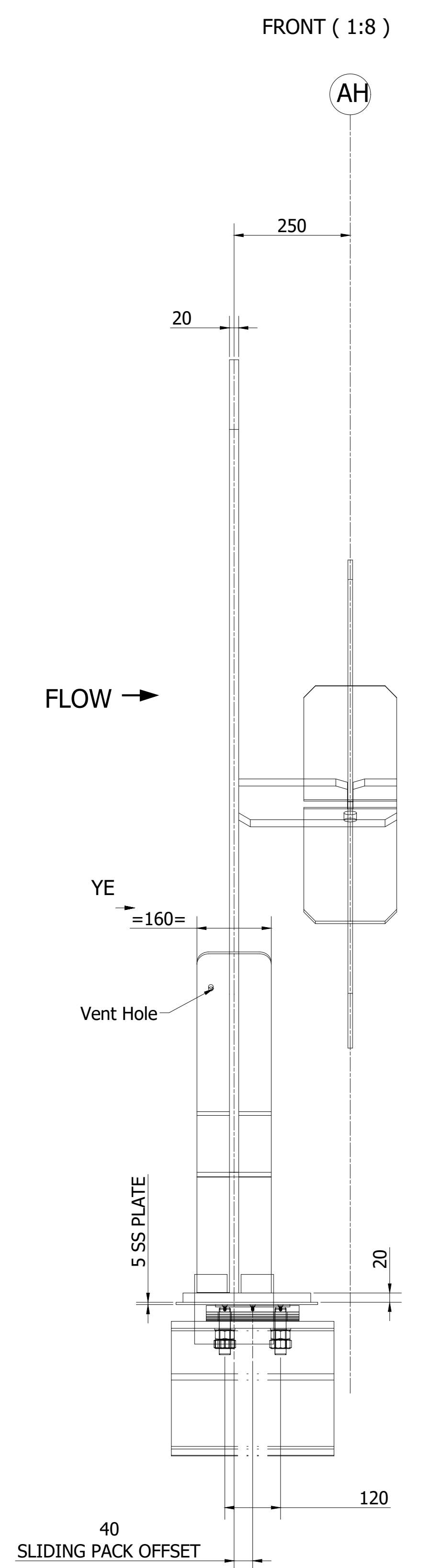
Scale: 1:8
Projection:

Document No: PTT-DWG4126
Page: 1/1

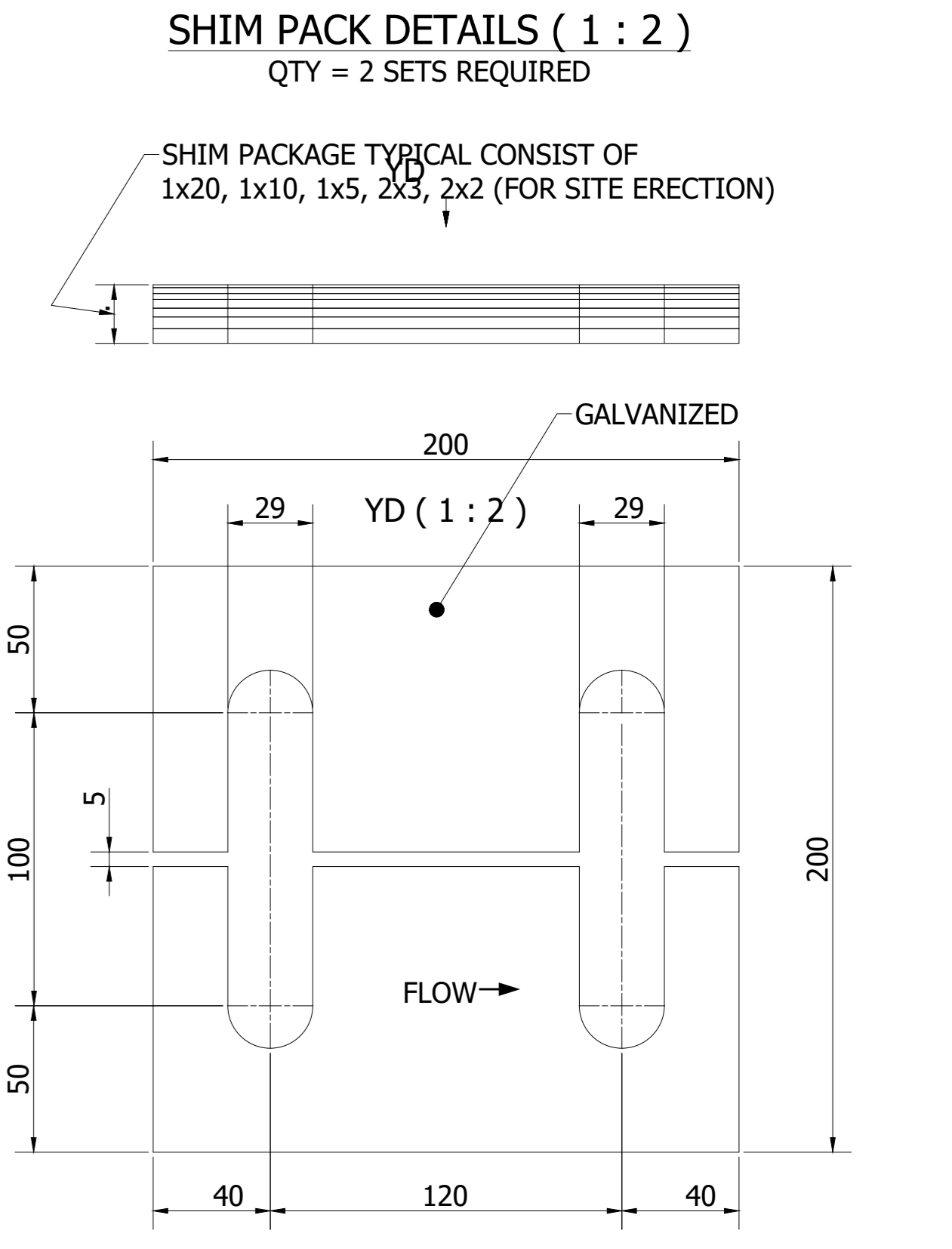
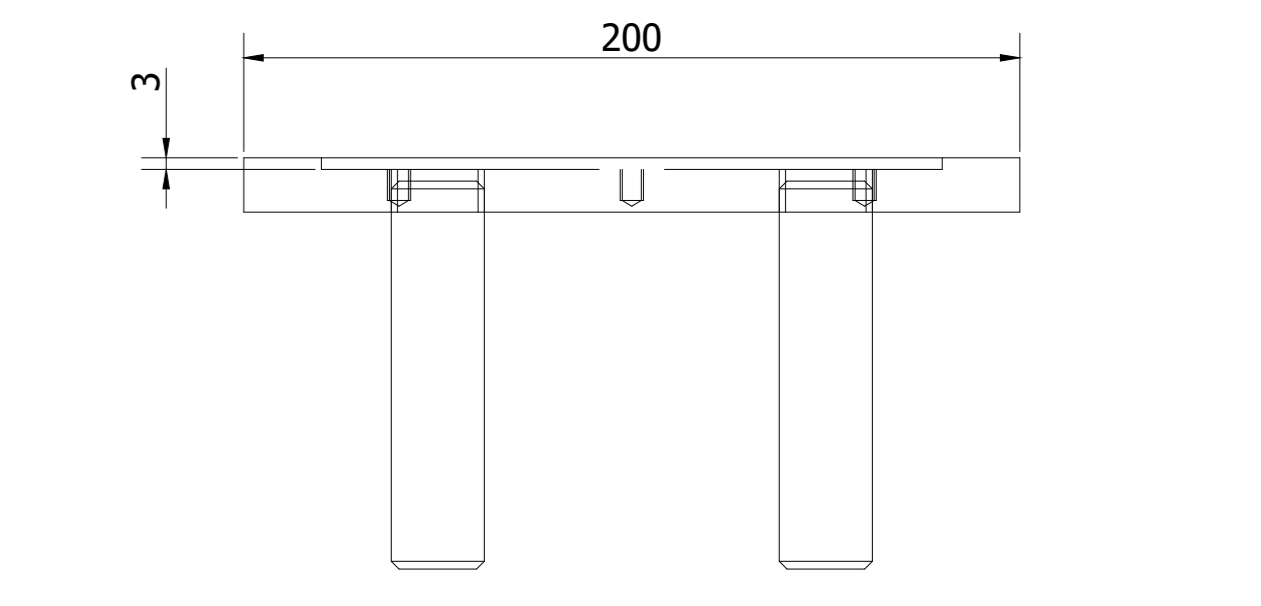
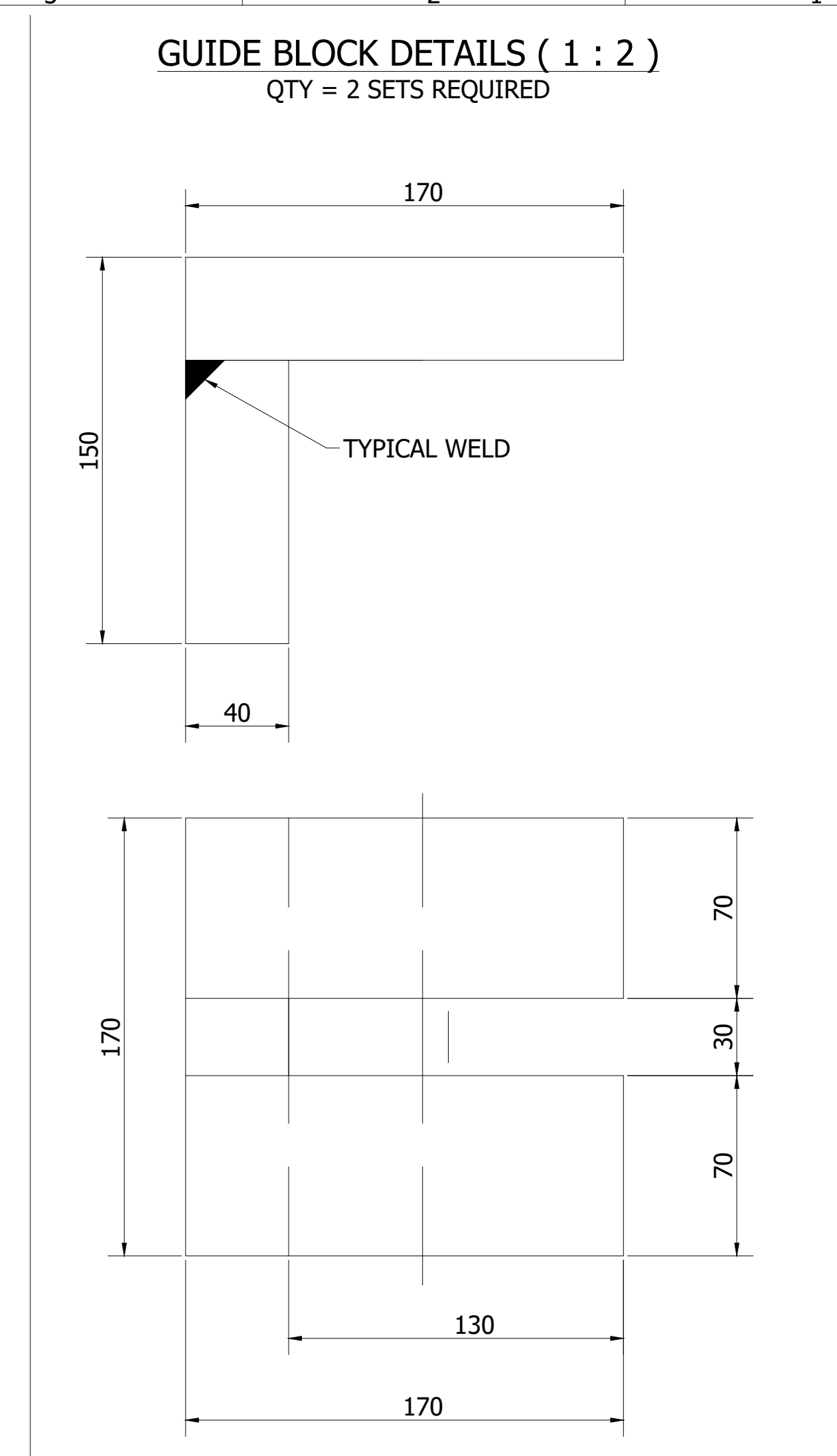
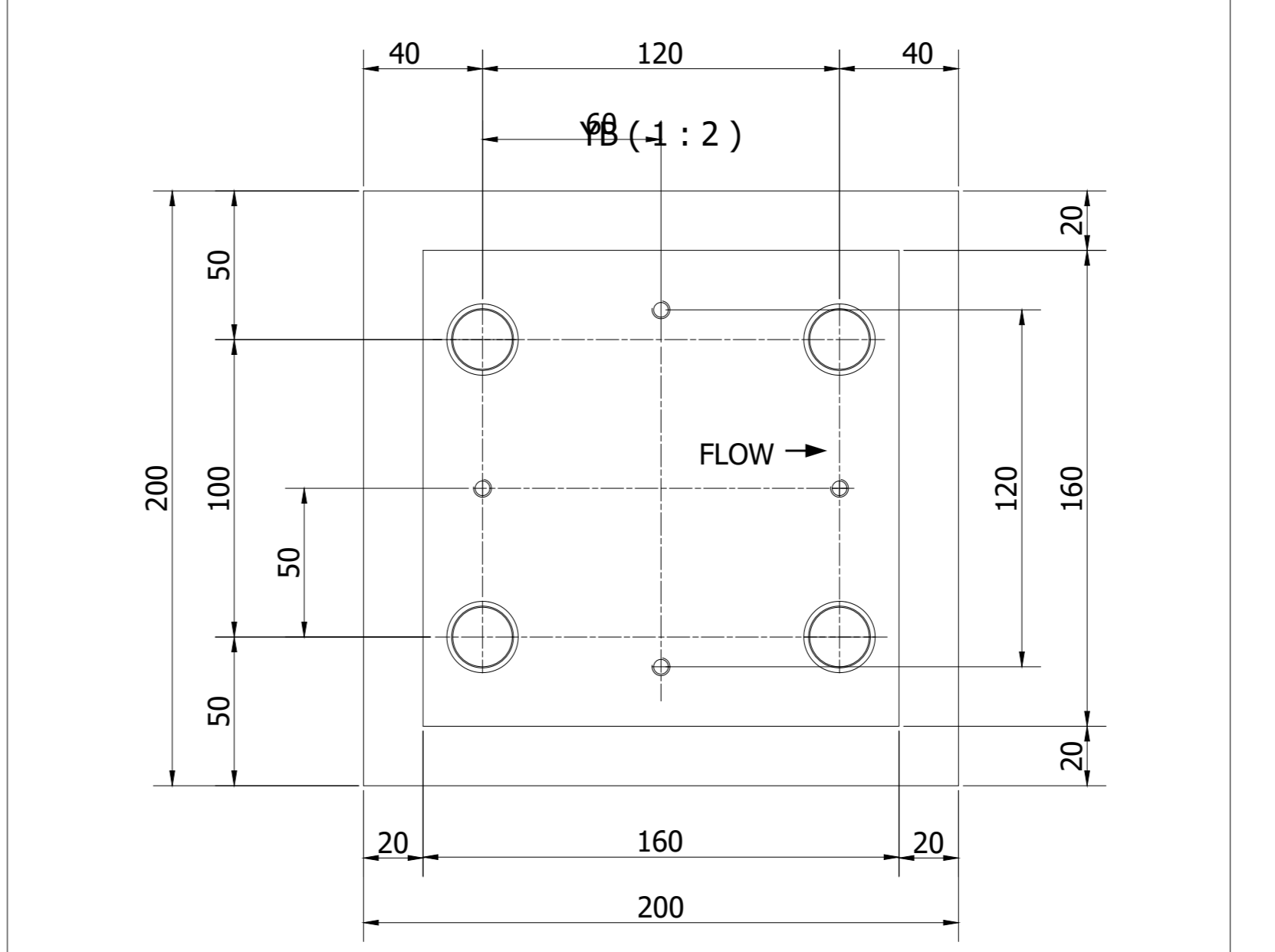
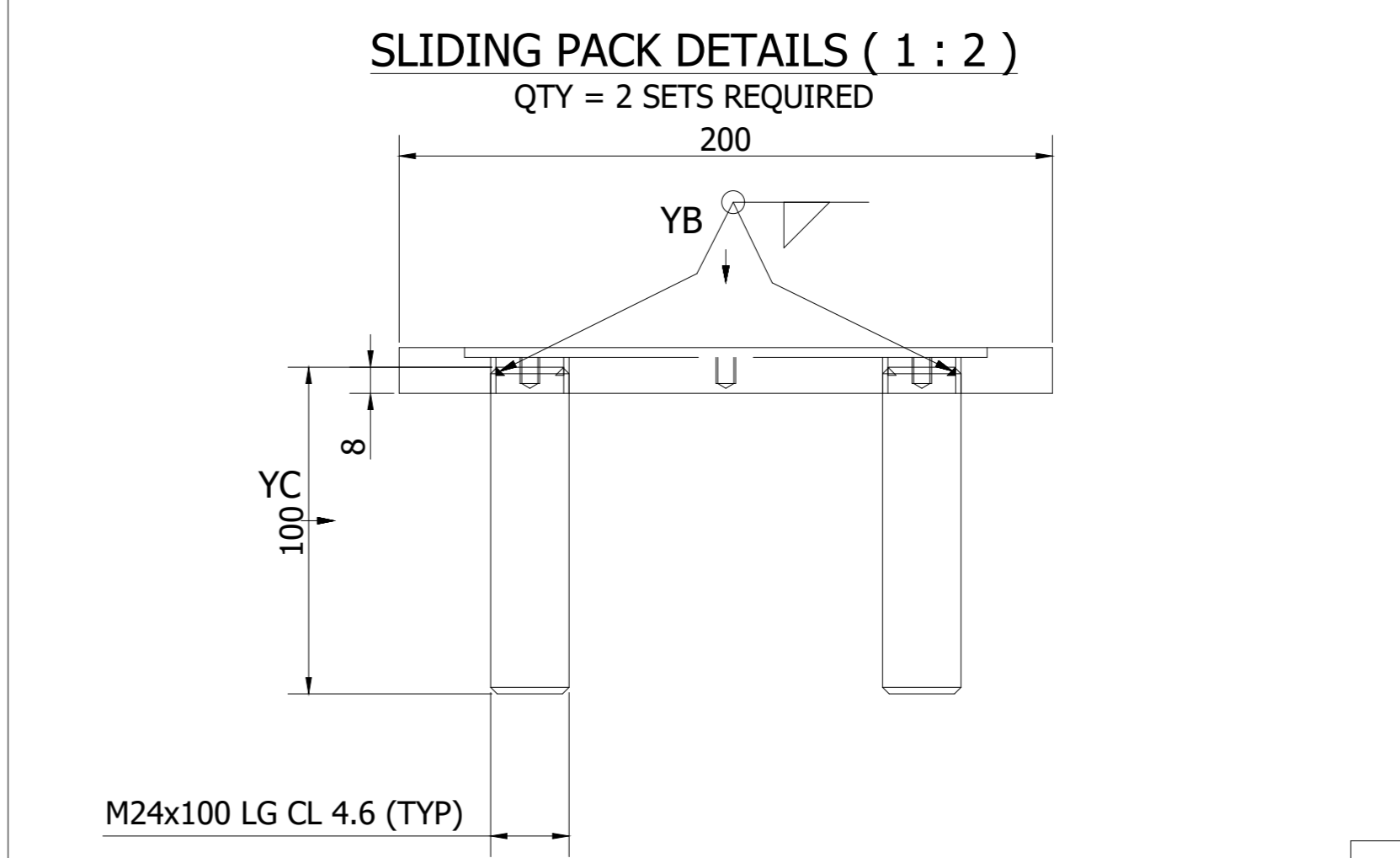
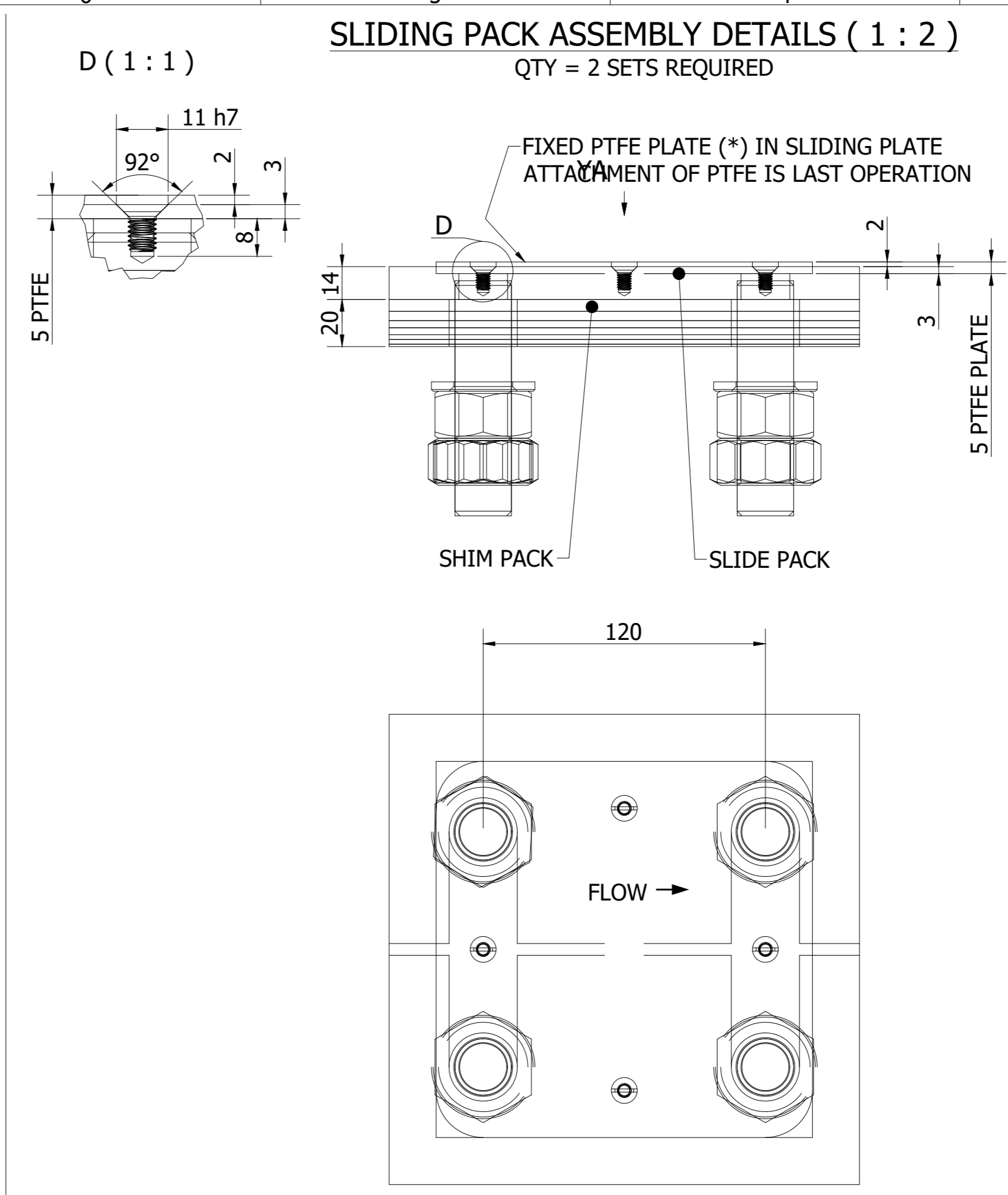
Format: AQ
Copyright acc. to ISO 16016

Ver. 1:8
Format AQ

SPG DRY COOLING



- GENERAL NOTES:
 - WELD DIMENSION A=0.7 X THK OF THE LESS THICK PART
 - ALL DIMENSION ARE IN MILLIMETERS
 - GENERAL TOLERANCES ACC. TO DIN 28005 TEIL 1, DIN 28013 AND ASME VIII.
 - EACH REINFORCEMENT PAD WILL BE PROVIDED WITH A VENT HOLE 7/16" PLUGGED AFTER TEST.
 - MATERIAL : S235JR OR EQUIVALENT
 - THE LOCATION OF THE FIELD WELDS (FW) & FIT FIELD WELD (FFW) AS INDICATED ON THE DRAWING.
 - HAVE TO BE VERIFIED BY THE MANIFOLDS SUPPLIER WITH REGARDS TO SHIPPING POSSIBILITIES. THE CHANGES MUST BE APPROVED
- WIND WALL BRACKETS NOTES:
 - FOR STREET-1 - WIND WALL BRACKETS ARE APPLICABLE ON RIGHT SIDE WHILE LOOKING TOWARDS FLOW DIRECTION
 - FOR STREET-2 TO STREET-7 - WIND WALL BRACKETS ARE NOT APPLICABLE ON BOTH SIDE WHILE LOOKING TOWARDS FLOW DIRECTION
 - FOR STREET-8 - WIND WALL BRACKETS ARE APPLICABLE ON LEFT SIDE WHILE LOOKING TOWARDS FLOW DIRECTION
- REFERENCE DRAWINGS:
 - DRG - REQ 4010 : STANDARD REQ. FOR DUCTING & MANIFOLDS
- QUANTITY REQUIRED: 08 NOS / UNIT



Ver.	Date	Name	Remark	Status
1	13.05.22	SMK/NS	FIRST ISSUE	PRE
-	-	-	-	-
-	-	-	-	-
-	-	-	-	-
-	-	-	-	-
-	-	-	-	-
-	-	-	-	-
-	-	-	-	-

PRE = PRELIMINARY CTD = CERTIFIED DRAWING CFC = CERTIFIED FOR CONSTRUCTION ASB = AS BUILT

CUSTOMER: **PVUN-NTPC LIMITED**
NTPC DRAWING NO.

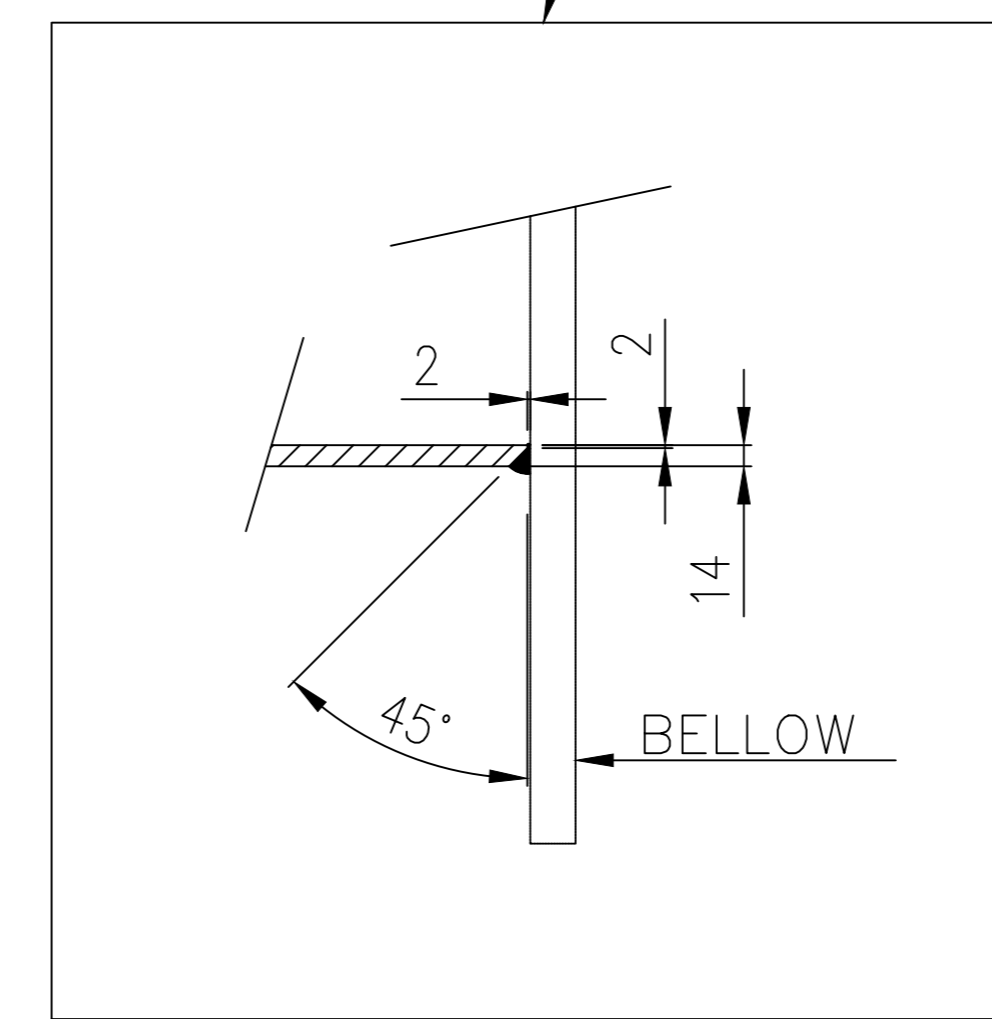
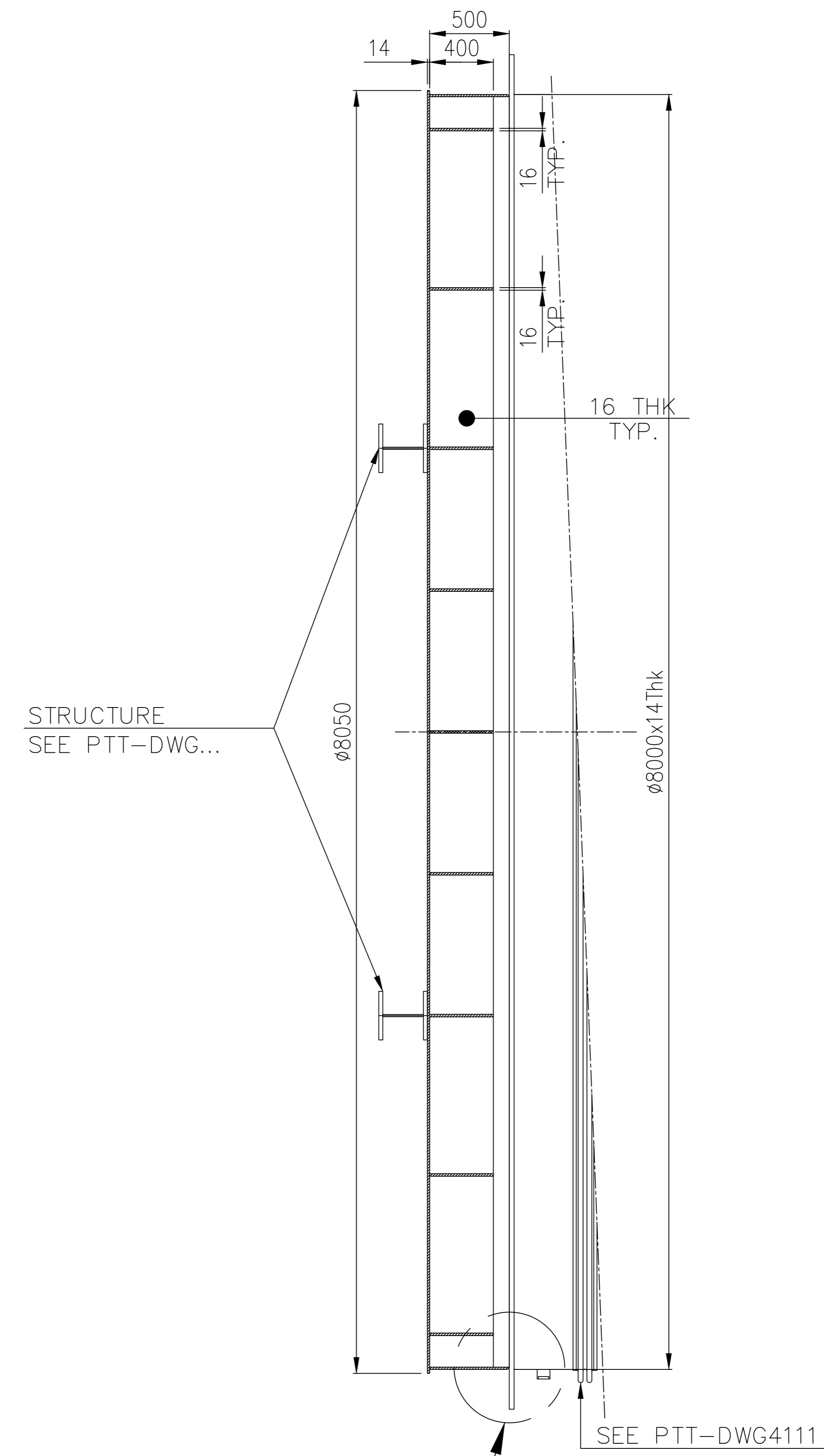
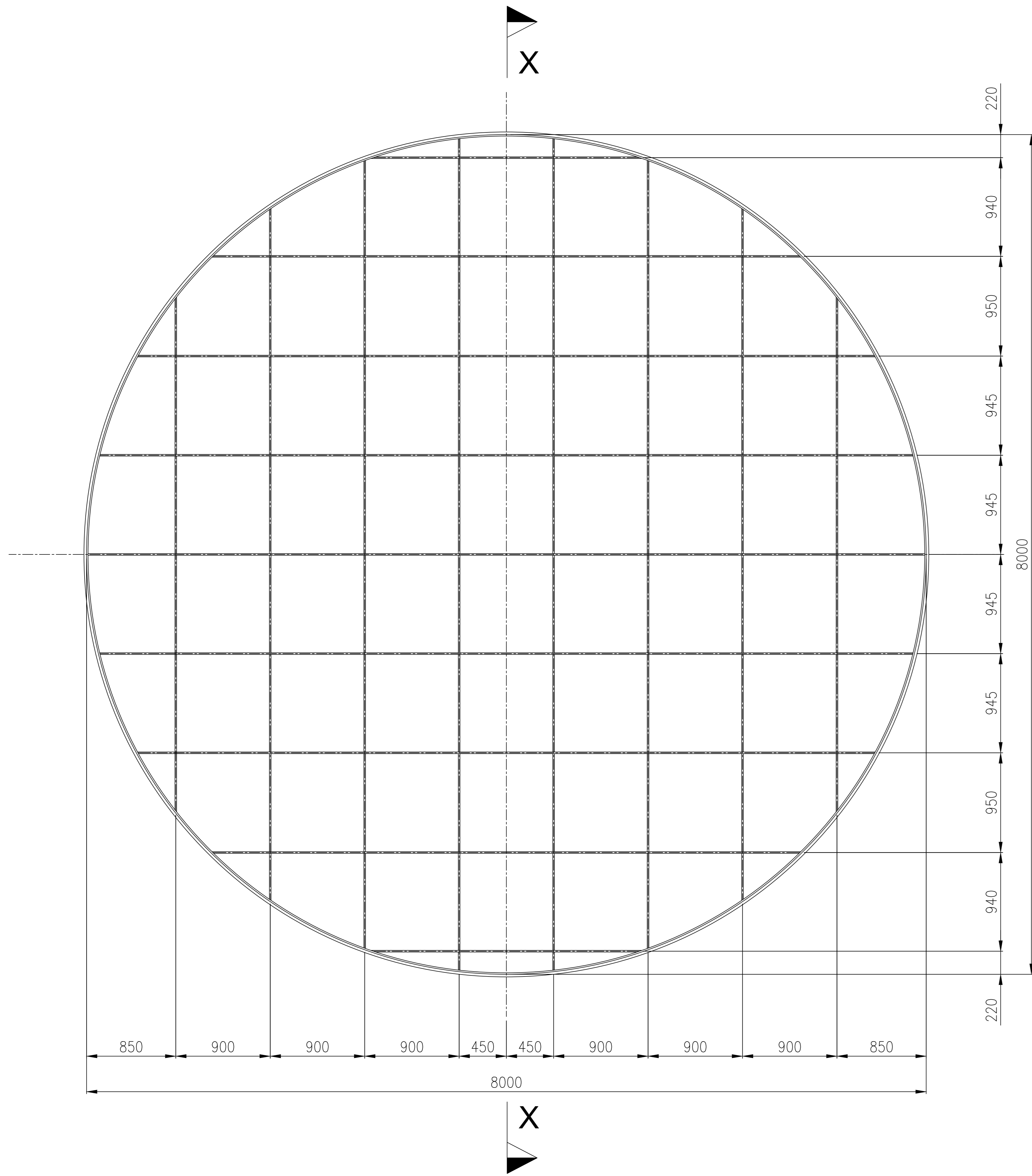
PROJECT: **PATRATU STTP (3x800 MW)**

DESIGNER: **BHARAT HEAVY ELECTRICALS LTD**
HEEP, HARIDWAR

Ver.	Date	Name	Document Designation	Content/Key
1	13.05.22	SMK/NS	SDM SPECIAL SLIDING SADDLE-2	DWG 4127
-	-	-	Air Cooled Condenser	-

Projection: Scale: 1:8 Document no. PTT-DWG4127 1/1/1
Format: AO WB1-101-000568

SPG DRY COOLING



EL. 0.00 (TG BUILDING) = RL 375500

NOTES

- GENERAL TOLERANCES ACC. TO DIN 28005 Teil 1 & DIN 28013 & ASME VIII
- MATERIAL : E250 / PROFILE E350
- FIELD WELDS ARE TO BE INDICATED BY THE MANUFACTURER WITH REGARDS TO SHOP POSSIBILITIES AND TRANSPORT MAXIMUM ALLOWABLE DIMENSIONS.
- ALL BUTT WELDING NOZZLE END BEVEL AS PER ANSI B16.25. SEE REQ 4010
- NO PERMANENT ACCESS FOR INSTRUMENTS USED DURING PERFORMANCE TEST AND FOR ERECTION MANWAYS.

REFERENCE DRAWINGS

- PTT-DWG4111 : ELBOW-TEE #8000. + SUPPORTS S2 - S3
- PTT-DWG4112 : CIRCULAR ELBOW MEAN DUCT #8000
- PTT-DWG4113 : CIRCULAR ELBOW FOR RISER #2800
- PTT-DWG4114 : SUPPORT S1 EXHAUST DUCTING #8000
- PTT-DWG4115 : SUPPORTS MEAN DUCT
- PTT-DWG4116 : BLANK PLATE.
- PTT-DWG4171 : END BLANK PLATE F.V.
- PTT-DWG4180 : NECK PRESSURE SAMPLE PLATES
- PTT-DWG4182 : HORIZONTAL MANHOLE
- PTT-DWG4191 : RUPTURE DISK
- PTT-REQ4110 : STANDARD REQUISITION FOR DUCTING
- PTT-DWG4110 : FLEXIBILITY ANALYSIS FOR DUCTING

DESIGN DATA

CODE	ASME VIII DIV 1
DESIGN PRESSURE	0.5 BAR (G) + F.V.
AIR LEAK TEST (JOB SITE)	0.3 BAR (G)
DESIGN TEMPERATURE	121°C
CORROSION ALLOWANCE	1 mm

3						
2						
1	07.09.2022	GT	DM	PM	FIRST ISSUE	PRE
	DATE	ALTERED	CHECKED	APPROVED	NOTE	STATUS

CUSTOMER:
PVUN-NTPC LIMITED
 NTPC DRAWING NO.
PROJECT:
 PATRATU STIP (3x800 MW)
DESIGNED BY:
 BHARAT HEAVY ELECTRICALS LTD
 HEEP, HARIDWAR

Date	Name	Document Designation	Content/Key
07.09.2022	GT	END BLANK PLATE FULL VACUUM	DWG 4171
07.09.2022	DM		
07.09.2022	PM		
Copyright acc. to ISO 16016			
SPG DRY COOLING	Projection	Scale	Document Id.
		1:40	PTT-DWG4171
		Format	Ver. Page
		A0	1 1/-
			WB1-101-000568



BHARAT HEAVY ELECTRICALS LIMITED

HEEP-HARIDWAR, UTTARAKHAND (249403)

General Instructions and Standard Terms & Conditions for bidding against Tender Enquiry (GISTC)

For Indian Bidders (Version June-2021, Rev: 06)

Table of Contents

1. GENERAL	1
2. ORIGIN OF QUOTATION	1
3. SUBMISSION OF TENDER	1
4. TENDER OPENING	2
5. SPECIFICATION, DRAWINGS & STANDARD	2
6. PRICE SCHEDULE	3
7. REVERSE AUCTION	3
8. DELIVERY TERMS	3
9. LD FOR LATE DELIVERY	4
10. PAYMENT TERMS	4
11. TAXES & DUTIES	5
12. BANK GUARANTEE	6
13. GUARANTEE / WARRANTY AND CORRESPONDING REPAIRS / REPLACEMENT OF GOODS	6
14. QUALITY REQUIREMENT	6
15. VALIDITY	6
16. RIGHT OF ACCEPTANCE	6
17. TRANSIT INSURANCE	7
18. RISK PURCHASE	7
19. FORCE MAJEURE CLAUSE	7
20. NON-DISCLOSURE AGREEMENT	8
21. SETTLEMENT OF DISPUTES / ARBITRATION	8
22. WHARFAGE / DEMURRAGE RESPONSIBILITY	8
23. CONDITIONS FOR AVAILING MICRO & SMALL ENTERPRISES (MSE'S) BENEFITS	8
24. INFORMATION TO THE BIDDERS	10
25. MAKE IN INDIA (GOVT-NOTIFICATION)	10
26. RESTRICTIONS UNDER RULE 144(XI) OF THE GENERAL FINANCIAL RULES (GFRs), 2017	12

27. NOTE..... 12

1. GENERAL.

These general terms & conditions shall apply to all the Tender Enquiries, notice inviting tenders, request for quotations concerning the supply of goods and / or rendering of services to Bharat Heavy Electricals Ltd., HEEP, Haridwar (hereinafter referred to as BHEL or the Purchaser). In case of placement of order these conditions will become part of Purchase Order (P.O) until unless the deviations are specifically agreed by BHEL.

2. ORIGIN OF QUOTATION.

- a) The quotation should preferably be from the principal bidder. However tender specific authorized registered dealer/agent can also submit the bid on their behalf, failing which the quotation is liable to be ignored. BHEL prefers to deal directly with the principal manufacturers.
- b) An agent cannot quote on behalf of more than one principal in the same Tender Enquiry.

3. SUBMISSION OF TENDER.

- a) Bid / Quotation must be enclosed in sealed cover on which tender enquiry number and the due date MUST BE written and be invariably sent under REGISTERED POST / SPEED POST / COURIER / Dropped in the Tender Box: addressed as follows:

Quotation against Enquiry No. _____

Dated: _____

Due on: _____

To,

**THE HEAD OF MATERIALS MANAGEMENT,
Heavy Electrical Equipment Plant,
Bharat Heavy Electricals Limited,
HARIDWAR-249403 (Uttarakhand), INDIA.**

- b) TENDER ROOM is located at: Room No. - 415, 4th Floor, Main Admin. Building, BHEL-HEEP, Haridwar.

Quotations / Bids not in accordance with General Instructions and Standard Terms & Conditions are likely to be ignored.



BHARAT HEAVY ELECTRICALS LIMITED

HEEP-HARIDWAR, UTTARAKHAND (249403)

General Instructions and Standard Terms & Conditions for bidding against Tender Enquiry (GISTC)

For Indian Bidders (Version June-2021, Rev: 06)

- c) In case of Three / Two Part Bid, technical bid containing technical offer, duly signed and un-priced copy of the Price Bid should be kept in one envelope. Price Bid containing only the price should be kept in a separate envelope. All envelopes indicating Part-1 or Part-2 or Part-3 as the case may be to be put in a bigger envelope. Please note that un-priced bid should be the exact replica of price bid but without prices.
- d) The bid / quotation must be posted before due date, keeping allowance for postal transit time. Quotations sent by any mode but not received in time will be ignored. Tender received through authorized E-mail is also acceptable. However, in time submission of tender in tender box shall be the responsibility of the bidder, sent through any mode. Documents submitted with the offer / bid shall be signed and stamped in each page by authorized representative of the bidder.
- e) Any additional documents submitted by supplier / bidder, during processing of registration application / tender or after placement of order shall not be accepted unless it is submitted with forwarding letter and duly signed and stamped.
- f) The bids of the bidders who are on the banned list and also the bids of the bidders, who engage the services of the banned firms, shall be rejected. The cutting / overwriting in the bid / offer must be duly attested by the signatories to the bid. The list of firms banned by BHEL is available on BHEL web site www.bhel.com.
- g) Being PMD vendor, if you are not quoting against this tender enquiry, please send your regret letter positively for our reference with valid reasons for not participating in the tender enquiry. Repeated lack of response on the part of bidder may lead to deletion such PMD vendor from BHEL's approved vendor list.
- h) The bidders will submit Integrity Pact, duly signed by its authorized signatory, along with their bids wherever estimated tender value is Rs. 2 Crore or more.
- i) In case of open tender, technically qualified unregistered bidders may apply online for registration through <http://www.bhel.com/index.php/vender>.
- j) BHEL reserves the right to award tendered quantities among more than one bidder (after acceptance of L1 price by the other bidders). BHEL can also consider awarding of part of the tendered quantity to other than L-1 bidder at L1 counter offered rates, if the quantity offered by the L-1 bidder is less than the quantity tendered for.
- k) In case of e-Tendering (Online bidding through e-portal), offline bid submitted in hard copy or in any other form by the vendor / supplier will not be accepted and will be rejected out rightly. Only e-portal bid will be accepted.

4. TENDER OPENING.

Tender opening is scheduled to start in the Tender Room at 2:00 PM, on the due date. Therefore, bid / quotations must reach this office / tender Box latest by 1:45 PM on due date. Only participating bidders are allowed to attend tender opening. **TENDERS RECEIVED AFTER THE SPECIFIED TIME OF THEIR 'SUBMISSION' WILL BE TREATED AS LATE TENDERS AND SHALL NOT BE CONSIDERED UNDER ANY CIRCUMSTANCES.** The bidders or their authorized representatives may be allowed to attend tender opening if duly authorized by their principals, through a tender specific letter on that particular day. General authorization letter is not acceptable.

Note: - Foreign bidders willing to attend the bid opening has to provide the requisite documents to the concerned Purchase executives for arranging gate pass for them.

5. SPECIFICATION, DRAWINGS & STANDARD.

- a) Bidders must give their detailed specification in the quotation along with relevant technical literature / catalogue etc. against the tender enquiry.
- b) The Bid should be accompanied with relevant copies of catalogues, drawings or specification as per tender enquiry.

Quotations / Bids not in accordance with General Instructions and Standard Terms & Conditions are likely to be ignored.



BHARAT HEAVY ELECTRICALS LIMITED

HEEP-HARIDWAR, UTTARAKHAND (249403)

General Instructions and Standard Terms & Conditions for bidding against Tender Enquiry (GISTC)

For Indian Bidders (Version June-2021, Rev: 06)

If these documents are not furnished, the offer is liable to be rejected.

- c) Wherever national / international (N/IN) standards are referred, the latest N/IN standards are to be followed. Mention year & date of standard revision that shall be followed for the supply.
- d) All Drawings and Standards are proprietary of BHEL. It must not be used in anyway detrimental to the interest of BHEL or without permission of BHEL.

6. PRICE SCHEDULE.

- a) Kindly quote your prices in figures and words both. In case of any discrepancy in value, the prices quoted in words shall be considered for evaluation and establishing L1 status.
- b) Prices quoted should not be more than the prices quoted to any other BHEL units / offices / divisions. Vendor to submit copy of latest Purchase Order placed by any unit of BHEL for similar items in the technical bid. In case no order has been placed on such items, specific confirmation that no order has been placed on such items should be provided.
- c) Prices should be quoted on F.O.R. Destination basis. Transit insurance shall be arranged by BHEL and not to be included in the prices. The offers quoted on other than F.O.R destination basis may result in non-consideration of such bids.
- d) In case BHEL accepts the EX-Works prices, such offers will be loaded by 1.5% of EX-Works value towards freight or with actual freight charges as per BHEL freight rate contract whichever is higher.
- e) In case of Indigenous items covered by DGS & D Rate Contract, the bidders should submit latest valid copy of the rate contract along with bid / quotation
- f) Applicable **IGST / CGST / SGST** and any other statutory levy should be indicated separately and clearly in the bid / quotation.

- g) Bidders can dispatch goods through any Indian Bank Association approved transporters having their branch at HARIDWAR / destination. If material is dispatched through other than Indian Bank Association approved transporter, material to be delivered on door delivery BHEL Stores basis.
- h) In case of dispatch of material through any other unapproved transporter, payment shall be made only after receipt of material and any additional charges payable to the transporter shall be to the bidder's account.
- i) Any demurrage / godown rent payable to the transporter / or to godown's owner due to any delay attributed by the supplier shall be recovered from supplier's account.
- j) Currency of Evaluation shall be INR.

NB: Financial evaluation of L1, L2Status will be on the basis of Landed Cost to BHEL.

7. REVERSE AUCTION.

Wherever RA is declared in the special terms and conditions of tender enquiry, following shall be applicable and Bidders to confirm the same:

"BHEL shall be resorting to Reverse Auction (RA) (Guidelines as available on www.bhel.com) for this tender. RA shall be conducted among all the techno-commercially qualified bidders.

Price bids of all techno-commercially qualified bidders shall be opened and same shall be considered as initial bids of bidders in RA. In case any bidder(s) do(es) not participate in online Reverse Auction, their sealed envelope price bid along with applicable loading, if any, shall be considered for ranking."

8. DELIVERY TERMS.

- a) Goods shall be delivered on 'FOR Destination' basis to the named destination unless otherwise called for in the tender enquiry.
- b) Loading on account of 3rd party inspection charges in case of Indian bidders shall be 0.20%.



BHARAT HEAVY ELECTRICALS LIMITED

HEEP-HARIDWAR, UTTARAKHAND (249403)

General Instructions and Standard Terms & Conditions for bidding against Tender Enquiry (GISTC)

For Indian Bidders (Version June-2021, Rev: 06)

9. LIQUIDATED DAMAGES (LD) FOR LATE DELIVERY.

a) Where items of Purchase Order are independently usable.

Liquidated Damages (LD) for Late Deliveries shall be applicable @0.5% per week or part thereof on the value of respective delayed supplies subject to a maximum of 10% of the value of respective delayed supplies. Value of delayed supplies will mean the Gross Value payable to the vendor (Before LD) against such supplies excluding taxes and duties.

b) Where the total items are required for a main equipment and items are interdependent.

Liquidated Damages (LD) for Late Deliveries shall be applicable @0.5% per week or part thereof on total value of Purchase Order subject to maximum of 10% of the total value of Purchase Order. Purchase Order value for this purpose shall be the Total Gross Value payable to the vendor (Before LD) excluding taxes and duties.

c) Bidders are requested to quote the best delivery meeting the delivery requirements. BHEL reserves the right to reject the offers not meeting BHEL's delivery requirement.

d) Commencement of delivery period shall be reckoned from the date of PO / LOI or any other agreed milestone.

e) Bidder shall deliver the goods in the manner and schedule agreed under the terms and conditions of Purchase order.

f) **DELIVERY IN CASE OF REJECTION:** In case the material is rejected, then date of replacement will be considered as the actual date of delivery.

g) **DELIVERY AGAINST BANK DOCUMENTS:** In case payment terms quoted by bidder are documents through bank, and the delivery terms being "FOR Haridwar / FOR Transporter Go-down" then date of delivery will be date of intimation by transporter / bidder of delivery of material at Haridwar for the LD purpose.

h) Where the payments are through bank, the documents may be presented for negotiation to BHEL authorized / nominated bank.

i) Payment of Liquidated Damages (LD) shall not in any way relieve the vendor from any of its obligations & liabilities under the contract.

10. PAYMENT TERMS.

a) BHEL's standard payment term is Payment after receipt and acceptance of materials / items at HEEP, BHEL-Store or at desired destination unless otherwise specified in Special Terms attached to the tender enquiry.

b) BHEL reserves the right to accept or reject the offer of the bidder who quotes the payment term other than BHEL's standard payment term.

c) Loading on account of deviation in payment terms shall be done as per extant rules of BHEL-Haridwar.

d) 100% payment along with taxes, freight & insurance will be made after receipt and acceptance of material and within 75 days from the date of invoice subject to submission of non-discrepant documents within 15 days of supply as per terms and conditions of Purchase Order. In case any discrepancy found in the documents, BHEL will notify the same to vendor within 7 days of receipt. Vendor has to clear all the discrepancies in one go within 7 days thereafter else the payment of vendor may get delayed.

e) For MSEs (covered under MSME Act) which are registered and periodically renewed with BHEL, the payment will be made within 45 days or as prescribed in the relevant act.

f) Adherence to the above time schedule of payment is contingent upon Vendor complying with GST Rules w.r.t availment of Input Tax Credit by BHEL.

g) In case GST credit is delayed / denied to BHEL, due to non / delayed receipt of goods and / or tax invoice or expiry of the timeline prescribed in GST Law for availing such ITC, or any other reason not attributable to BHEL, GST amount shall be recoverable from Vendor along with interest levied / leviable on BHEL.

h) The taxes and duties that are reimbursed would be the ones applicable as on the contractual Purchase order delivery date or the amount actually paid whichever is less.

Quotations / Bids not in accordance with General Instructions and Standard Terms & Conditions are likely to be ignored.



BHARAT HEAVY ELECTRICALS LIMITED

HEEP-HARIDWAR, UTTARAKHAND (249403)

General Instructions and Standard Terms & Conditions for bidding against Tender Enquiry (GISTC)

For Indian Bidders (Version June-2021, Rev: 06)

i) **The loading criteria for the different payment terms shall be as under;**

Payment Terms	Days of Loading
After Receipt & Acceptance of material within 75 days of supply.	No Loading
Against Delivery at BHEL-Stores Haridwar.	45
Against documents through bank (CAD):	45
Letter of Credit (LC)	120
Usance LC	No Loading if usance period is > 120 Days.
	Loading of days' difference i.e. difference between 120 days and usance period if the usance period is < 75 days.
Advance	Delivery Period + 120 Days - Advance Payment Days.

11. TAXES & DUTIES.

- a) The bidder to specify in their offer (part 1 bid) the category of their registration under GST like Registered, Unregistered and composite dealer.
- b) The provisional GST registration number of Bharat Heavy Electrical Ltd, Heavy Electricals Equipment Plant, Ranipur, Haridwar is "05AAACB4146P1ZL" with state Code as "05" and State Name as "Uttarakhand".
- c) Please quote our provisional GST registration number in all invoices raised for supply of goods and services under GST regime and also ensure filing of timely return and payment of tax and compliance of other applicable provisions on supplier under GST regime.
- d) No GST will be reimbursed to unregistered or composite dealer. In the event, any GST is quoted by composite dealer, the same shall be added to the cost of supply in evaluating the bid.
- e) Since, input credit of GST will be available to BHEL-Haridwar only after correct filing of return and payment of applicable GST by supplier, reimbursement of GST shall be made by

BHEL-Haridwar on matching of vendor inputs at GST portal, ensuring availability of input credit to BHEL Haridwar. Payment of GST will be made to vendor after matching of input credit and vendor to ensure submission of their invoices along with consent to accept payment of tax after such matching in all cases where bills are submitted directly to BHEL-Haridwar or through bank or under LC or through any other mode.

- f) In the event of any disallowance of input credit or applicability of interest or any other financial liability arises on BHEL-Haridwar due to any default of supplier under GST, such implication shall be to supplier's account.
- g) In the event of any change in the status of the vendor after the submission of the bid but before the supply, GST applicable at the time of supply or in the bid, based on the registration status of the vendor, whichever is lower shall be payable.
- h) Where ever applicable If PAN (Permanent Account Number) of the recipient is not available, income tax is deductible either at the normal rate or at the rate of 20 percent, whichever is higher as per Section 206AA of Indian Income Tax Act 1961.
- i) The bidder shall clearly indicate HSN (*Harmonised System Nomenclature*) / SAC (*Service Accounting Code*), its description and applicable rate of GST for each item in his techno-commercial bid.
- j) Statutory Variation in Taxes & duties as applicable at the time of supply shall be payable. However, in the event of no change in law but bidder quoting certain tax structure in bid document which is lower than the applicable one, such amount shall be the maximum amount of tax that can be claimed by bidder.
- k) **IMPORTED GOODS OFFERED BY INDIAN BIDDERS AGAINST DEALER INVOICE:** Wherever the material being offered is imported, the bidder must quote the prices inclusive of IGST. The rate and value of IGST as included in the price must be indicated separately. In case quantum of IGST is not mentioned by the bidder the same will not be considered for



BHARAT HEAVY ELECTRICALS LIMITED

HEEP-HARIDWAR, UTTARAKHAND (249403)

General Instructions and Standard Terms & Conditions for bidding against Tender Enquiry (GISTC)

For Indian Bidders (Version June-2021, Rev: 06)

evaluation. However, bidder will have to pass on the benefit of IGST to BHEL at the time supply.

- l) In case of directly dispatchable items to Customer's Site, BHEL-Haridwar will inform the GST registration number of the respective customer which must be mentioned on the vendor's invoice. Vendor to ensure availability of such information from BHEL-Haridwar before dispatch of any material. However, while filing GSTN-1, BHEL Haridwar GSTN number to be quoted.

Note: - Vendors must ensure compliance of all the applicable rules and procedure as envisaged in the GST Regime. Any loss to BHEL-Haridwar due to fault / non-compliance by the vendor will be to the vendor's account.

12. BANK GUARANTEE.

In case the bank guarantees are required to be deposited towards security deposit/performance guarantee or for any other purpose as per the terms of this tender enquiry, such bank guarantees of the requisite value in the denominated currency of the purchase order should be from one of the Indian branch of BHEL consortium banks and the bank guarantee should be in the proforma as prescribed by BHEL. The proforma of bank guarantee and the list of consortium banks are displayed at BHEL website www.bhelhwr.co.in. However, in case the bank guarantee is not from BHEL consortium banks, then the bidder has to get the bank guarantee confirmed from one of the Indian branch of BHEL consortium banks and the bank charges for such confirmation will be borne by the bidder.

13. GUARANTEE / WARRANTY AND CORRESPONDING REPAIRS / REPLACEMENT OF GOODS.

Goods shall comply with the specifications for material, workmanship and performance. Unless otherwise specified, the warranty shall be for a period of 18 months from the date of receipt. If the delivery is found non-compliant during the warranty period, leading to rejection, the Seller shall arrange free replacement / repair of goods, within one month from the date of intimation or any mutually agreed period. The rejected goods shall be taken away by the Seller at his cost and

replaced on Delivered Duty Paid (DDP) (FOR - BHEL Stores / designated destination basis) within such period. In the event of the Seller's failure to comply, Purchaser may take action as appropriate, including Repair / Replenish rejected goods & disposal of rejections, at the risk & cost of the Seller. In case the defects attributable to Seller are detected during processing of the goods at BHEL or at our subcontractor's works, the Seller shall be responsible for free replacement / repair of the goods as required by BHEL.

- b) **RETURN OF REJECTED MATERIAL FOR REPLACEMENT:** The bidder shall have to pay 5% incidental charges while taking back supplied material if it is found rejected on receipt. The rejected material shall be sent back only after receipt of replacement / submission of BG / refund of amount paid.

14. QUALITY REQUIREMENT.

Your bid / quotation should have specific confirmation regarding meeting all our quality requirements such as. (i) Test Certificate (TC), (ii) Guarantee Certificate (GC) / Warranty Certificate (WC), (iii) Quality Plan (QP) (if applicable); and (iv) Pre-Dispatch Inspection at your works (if applicable).

15. VALIDITY.

The quotation should be valid for a minimum period of 90 days effective from the date of opening of tender, unless otherwise specified in the tender enquiry.

16. RIGHT OF ACCEPTANCE.

- a) **BHARAT HEAVY ELECTRICALS LIMITED HARIDWAR** reserves the right to reject any or all the bids / quotations without assigning any reason thereof. BHEL also reserves the right to increase or decrease the tendered quantities. Bidders should be prepared to accept order for reduced quantity without any extra charges.
- b) Any discount / revised offer / bids submitted by a bidder on its own shall be considered, provided it is received on or before the due date and time of offer / bid submission (Part-1). Conditional discounts shall not be considered for evaluation of tenders.



BHARAT HEAVY ELECTRICALS LIMITED

HEEP-HARIDWAR, UTTARAKHAND (249403)

General Instructions and Standard Terms & Conditions for bidding against Tender Enquiry (GISTC)

For Indian Bidders (Version June-2021, Rev: 06)

- c) Unsolicited discounts / revised offers / bids given after Part-1 bid opening shall not be accepted. No change in price will be permitted within the validity period asked for in the tender enquiry.
- d) In case of changes in scope and / or technical specification and / or commercial terms & conditions having price implication, techno-commercially acceptable bidders shall be asked by BHEL to submit the impact of such changes on their price bids. In case a bidder opts to submit revised price bid instead of impact called for then the latest price bid shall prevail. However, in both situations, original price bid will be necessarily opened.
- e) The bidder whose bid is technically not accepted will be informed & EMD wherever submitted shall be returned after finalization of contract. EMD shall be forfeited in the event of bidder opting out after tender opening.
- f) BHEL reserves the right to short close the existing Purchase Order / Rate Contract / Work Order or any extension thereof at any stage.

17. TRANSIT INSURANCE.

- a) Transit Insurance will be covered by BHEL under its open Insurance Policy. Seller shall inform dispatch particulars (Purchase Order, RR /GR, Invoice value etc.) to "Finance department (Store bill Section), BHEL Ranipur, Haridwar (Uttarakhand-India) with value of consignment to the Purchaser within 07 days of dispatch for BHEL to arrange insurance coverage in its policy. Failure on the part of seller to inform dispatch particulars will make him liable to pay for any transit damages / losses suffered by the Purchaser.
- b) If Quoted Prices are inclusive of transit insurance, no weightage shall be given while evaluating the bids for Cost of Insurance, being in BHEL Scope.

18. RISK PURCHASE.

In case of abnormal delays (beyond the maximum late delivery period as per LD clause) in supplies / defective supplies or non-fulfillment of any other terms and conditions given in Purchase Order, BHEL may cancel the Purchase Order in full or part thereof, and may also make the purchase of such material from elsewhere / alternative source at the risk and cost of the supplier. BHEL will take all reasonable steps to get the material from alternate source at optimum cost. If bidder does not agree to the above Risk Purchase Clause, BHEL reserves the right to reject the offer. In case for compelling reasons BHEL accepts the offer without acceptance of this clause by the bidder and in the eventuality of Risk Purchase, appropriate action will be taken as per BHEL extant rules. This will be without prejudice to any other right of BHEL under the contract or under General Law.

19. FORCE MAJEURE CLAUSE.

Notwithstanding any other thing contained anywhere else in the contract or PO (Purchase Order), In case the discharge of obligation under the contract by either party is impeded or made unreasonably onerous, neither party shall be considered in breach of the contract to the extent that performance of their respective obligation is prevented by an event of Force Majeure that arises after the effective date (PO date).

In the above clause, Force Majeure means an event beyond the control of the parties to the contract which prevents a party from complying with any obligation of the contract including but not limited to:

- Act of God (Such as but not limited to earthquake, drought, tidal waves, floods etc.).
- War (whether war be declared or not), Hostilities Invasion, Act of foreign enemy etc.
- Rebellion, revolution, insurrection, civil war etc.
- Contamination of Radio Activity from any nuclear fuel or from any other nuclear waste or any other hazardous materials.
- Riots, commotions, strike unless restricted to the employees of supplier.
- Acts of terrorism.



BHARAT HEAVY ELECTRICALS LIMITED

HEEP-HARIDWAR, UTTARAKHAND (249403)

General Instructions and Standard Terms & Conditions for bidding against Tender Enquiry (GISTC)

For Indian Bidders (Version June-2021, Rev: 06)

- g) Other unforeseeable circumstances beyond the control of the parties and which the affected party cannot avoid even by using its best efforts.
- h) Cancellation of contract by customer.
- i) Change in law / government. Regulation making the performance impossible.
- j) Pandemic or Epidemic.

The party claiming to be affected by force majeure shall notify the other party in writing immediately without delay on the intervention and on the cessation of such circumstances.

Irrespective of any extension of time, if an event of force majeure occurs and its effect continues for more than 180 days the affected party shall have right to cancel the contract.

As soon as reasonably practicable following the date of commencement of a Force Majeure Event, and within a reasonable time following the date of termination of a Force Majeure Event, either Party invoking it shall submit to the other Party reasonable proof of the nature of the Force Majeure Event and of its effect upon the performance of the Party's obligations under this Agreement.

The party shall, and shall ensure that its Subcontractors shall, at all times take all reasonable steps within their respective powers and consistent with Good Operating Practices (but without incurring unreasonable additional costs) to:

- a) Prevent Force Majeure Events affecting the performance of the party's obligations under this Agreement.
- b) mitigate the effect of any Force Majeure Event and
- c) Comply with its obligations under this Agreement.

If the war like situation has developed in a country where a seller's works is located in this P.O. or there is political instability and Indian Embassy located in that country forbids or advises for not having any business dealing with the sellers located in such zone / region/ country, then BHEL reserves the right to cancel the order.

20. NON-DISCLOSURE AGREEMENT.

All Drawing and Technical Documents relating to the product or it's manufacture submitted by one party to the other, prior or

subsequent to the formation of contract, shall remain property of the submitting party. Drawing, technical documents or other technical information received by one party, shall not without the consent of the other party, be used for any other purpose than that, for which they were provided. Such technical information shall not without the consent of the submitting party, otherwise be used or copied, reproduced, transmitted or communicated to a third party. Patterns supplied by BHEL will remain BHEL's property which shall be returned by the bidder on demand to BHEL. Bidder shall in no way share or use such intellectual property of BHEL to promote his own business with others or to gain a commercial advantage. BHEL reserves the right to claim damages from the bidder, or take appropriate action as deemed fit against the bidder, for any infringement of the provisions contained herein as available under law or equity.

21. SETTLEMENT OF DISPUTES / ARBITRATION.

In case of any dispute arising out of as in connection with this contract, the same shall be referred to arbitration under Arbitration & Conciliation Act 1996 of a sole arbitrator who shall be appointed by mutual consent of the parties. The seat & venue of arbitration shall be Haridwar.

The proceedings shall be conducted in English. The Governing law of contract shall be the substantive law of India.

22. WHARFAGE / DEMURRAGE RESPONSIBILITY.

In the event of delay in receipt of documents by Manager (Stores-Shipping) BHEL-Haridwar and in case where dispatches are made through Unapproved Transporter the sole responsibility for wharfage / demurrage for such delay shall be that of supplier.

23. CONDITIONS FOR AVAILING MICRO & SMALL ENTERPRISES (MSE'S) BENEFITS.

- a) "MSE Suppliers can avail the intended benefits only if they submit along with the offer, attested copies of either EM II certificate having deemed validity (**five years** from the date of issue of acknowledgement in EM II) or valid NSIC certificate or EM II certificate along with attested copy of a CA certificate



BHARAT HEAVY ELECTRICALS LIMITED

HEEP-HARIDWAR, UTTARAKHAND (249403)

General Instructions and Standard Terms & Conditions for bidding against Tender Enquiry (GISTC)

For Indian Bidders (Version June-2021, Rev: 06)

(Format enclosed at annexure-1 where deemed validity of EM II certificate of five years has expired) applicable for the relevant financial year (latest audited). Date to be reckoned for determining the deemed validity will be the date of bid opening (Part 1 in case of two-part bid) or vendor has to give Udyog Adhar Memorandum (UAM). Non submission of such documents will lead to consideration of their bid at par with other bidders. No benefit shall be applicable for this enquiry if any deficiency in the above required documents is found or the requisite documents are not submitted before price bid opening. If the tender is to be submitted through e-procurement portal, then the above require document are to be uploaded on the portal. Documents should be notarized or attested by a Gazetted officer. **UAM need not required to be notarized or attested.**

b) Any new supplier will be eligible for registration with BHEL as MSE supplier provided at least any one of the following documents are submitted along with application for registration: -

1. Udyog Adhar Memorandum (UAM).
2. Valid National Small Industries Commission (NSIC) Certificate.
3. Entrepreneurs Memorandum part II (EM II) certificate (valid based on deemed validity of 5 years) or
4. EM II certificate along with attested copy of CA Certificate (as per prescribed format at annexure-A) applicable for the relevant financial year (latest audited), where the deemed validity of EM II is over.
5. However, credentials of all MSE suppliers will be verified before advancing the intended benefits.
6. MSE bidders claiming SC/ST status will have to submit SC/ST certificate of the Proprietor from competent authority. Attested (notarized or attested by Gazetted officer) copy to be submitted along with the offer.
7. In case techno-commercial accepted bidders include MSE source and their prices (based on landed cost – considering quoted prices) are within the price band of 15% w.r.t. L-1 bidder, then BHEL can offer **25%** of quantity of respective item (rounded off to nearest number) to MSE bidders at L-1 price and in case, more than one MSE bidder is in 15 % band and the same is accepted by more than one MSE bidders then **25%** quantities of respective items will be considered for ordering on proportionate basis amongst MSE bidders.
8. There will be minimum of **3%** reservation for women owned MSEs within the above mentioned 25% reservation.
9. The reservation for MSEs owned by SC/ST will be **6.25%** { 25% out of target of 25% - refer para 4 of Public Procurement Policy for the Micro and Small Enterprises(MSEs)}.
10. The definition of MSEs owned by Women Entrepreneurs is clarified as under:
 - a) In case of proprietary MSE, proprietor shall be Woman.
 - b) In case of partnership MSE, the Woman partners shall be holding at least 51% of share in the unit.
 - c) In case of Private Limited companies, at least 51% share shall be held by Women promoters.
11. The definition of MSEs owned by SC/ST is clarified as under:
 - a) In case of proprietary MSE, proprietor(s) shall be SC/ST.
 - b) In case of partnership MSE, the SC/ST partners shall be holding at least 51% of shares in the unit.
 - c) In case of Private Limited companies, at least 51% share shall be held by SC/ST promoters.
12. While distributing the **25%** quantity amongst MSE bidders the decimal points in quantity shall be ignored for all the bidders except the L-1 amongst MSE bidders. Balance quantity after allocating the quantity to other MSE bidders ignoring the quantities in decimal, shall be given to L-1 (amongst MSE) bidder. However, if there are more than one MSE bidder at the same price level than preference for additional quantities due to ignoring off the decimal (as mentioned above) shall be given to the bidder offering favorable terms to BHEL and if the conditions offered are also same then preference will be given to the bidder having high SPR rating.
13. In case there are more than one MSE bidders (with different landed cost to BHEL) within 15% price band of lowest bidder and quantity to be offered is 1 no. only, then preference shall be given to the MSE bidder with lowest landed cost.
14. In case there are more than one MSE bidders (with same landed cost to BHEL) within 15% price band of lowest bidder and quantity to be offered is 1 no. only, then preference shall be given first, based on the favorable terms in the bid and in case terms are also same, the bidder with high SPR rating shall be given preference.
15. If L1 bidder is MSE bidder, entire quantity will be given to such MSE bidder only.

Quotations / Bids not in accordance with General Instructions and Standard Terms & Conditions are likely to be ignored.



BHARAT HEAVY ELECTRICALS LIMITED

HEEP-HARIDWAR, UTTARAKHAND (249403)

General Instructions and Standard Terms & Conditions for bidding against Tender Enquiry (GISTIC)

For Indian Bidders (Version June-2021, Rev: 06)

16. Note: It may however be noted that MSE guidelines as on date (Date of Technical Bid Opening Part-1) shall prevail.

17. "As per the OM No. F.No. 1(2)(1)/2016-MA dtd. 09.02.2017 issued from the Office of Development Commissioner (Micro, Small & Medium Enterprises), "Traders and agents should not be allowed to avail the benefits extended under the PP Policy."

In view of this, it is clarified that benefits of MSE (such as EMD Waiver, Tender fee exemption, Price preference, Payment preference etc.) will be given only to those MSE Vendors who are manufacturers of offered items against the NIT. No MSE benefits shall be provided to Agents / Stockists / Dealers / Traders etc. for the items offered but not manufactured by themselves."

24. INFORMATION TO THE BIDDERS.

a) Purchase related information is available at our Business-to-Business (B2B) Portal available on our website <https://hwr.bhel.com>. The user ID & password can be obtained by sending a request to concerned purchase executives.

b) Intimate your change in mail address or communication address or changes, if any, by email to AGM (SDX/MM) giving your bidder Code.

c) Please resolve your rejections and unexecuted overdue purchase order immediately which are posted at our B2B Portal, which can be visited through our site <https://hwr.bhel.com>

d) Copy of this Tender Enquiry is being sent through the post.

e) The Bidder declares that they will not enter into any illegal or undisclosed agreement or understanding, whether formal or informal with other bidder(s). This applies in particular to prices, specifications, certifications, subsidiary contracts, submission or non-submission of bids or any other actions to restrict competitiveness or to introduce cartelization in the bidding process.

In case, the bidder is found having indulged in above activities, suitable action shall be taken by BHEL as per extant policies/guidelines.

f) Supplier must upload digitally signed e-Invoice on B2B portal for processing of Bills.

In other cases, inked signed hard copy of Invoice to be submitted for processing of Bills.

25. MAKE IN INDIA (GOVT-NOTIFICATION).

A. This tender enquiry shall be governed by notification no. P-45021/2/2017-PP (BE-II) dated 04.06.2020 of government of INDIA and subsequent circulars issued afterwards. Accordingly, the minimum local content, the margin of purchase preference and the procedure for preference to make in INDIA shall be adhered.

B. The margin of purchase preference shall be 20%.

- 'Class-I local Supplier' means a supplier or service provider, whose goods, services or works offered for procurement, has local content equal to or more than 50%, as defined under this order.
- 'Class-II local Supplier' means a supplier or service provider, whose goods, services or works offered for procurement, has local content more than 20% but less than 50%, as defined under this order.
- 'Non- local Supplier' means a supplier or service provider, whose goods, services or works offered for procurement, has local content less than or equal to 20%, as defined under this order.

C. Vendor to specifically confirm if they are Class-I or Class-II local supplier or not as per above mentioned notification. Accordingly, the 'Class-I local supplier' / 'Class-II local Supplier' at the time of tender, bidding or solicitation shall be required to indicate percentage of local content and provide self-certification that the item offered meets the local content requirement for 'Class-I local supplier' / 'Class-II local Supplier', as the case may be. They shall also give details of the location(s) at which the local value addition is made.

D. In cases of Procurement for a Value in Excess of Rs. 10 Crores, the 'Class-I local supplier' / 'Class-II local Supplier' shall be required to provide a Certificate from the Statutory Auditor or Cost Auditor of the Company (in the case of companies) or from a practicing Cost Accountant or practicing Chartered Accountant (in respect of suppliers other than companies) giving the percentage of Local Content.



BHARAT HEAVY ELECTRICALS LIMITED

HEEP-HARIDWAR, UTTARAKHAND (249403)

General Instructions and Standard Terms & Conditions for bidding against Tender Enquiry (GISTC)

For Indian Bidders (Version June-2021, Rev: 06)

E. Requirement of Purchase Preference:

Purchase preference shall be given to 'Class-I local supplier' in procurements undertaken by procuring entities in the manner specified hereunder -

a. In the procurements of goods or works, which are covered by para 3(b) of mentioned Govt. circular and which are divisible in nature, the 'class-I local supplier' shall get purchase preference over 'Class-II supplier' as well as 'Non-local supplier', as per following procedure:

- i. Among All qualified bids, the lowest bid will be termed as L1. If L1 is 'Class-I local supplier', the contract for full quantity will be awarded to L1.
- ii. If L1 bid is not a 'Class-I local supplier', 50% of the order quantity shall be awarded to L1. Thereafter, the lowest bidder among the 'Class-I local supplier' will be invited to match the L1 price for the remaining 50% quantity subject to the class-I local supplier's quoted price falling within the margin of purchase preference, and contract for that quantity shall be awarded to such 'Class-I local supplier' subject to matching the L1 price. In case such lowest eligible 'Class-I local supplier' fails to match the L1 price or accepts less than the offered quantity, the next higher 'Class-I local supplier' within the margin of purchase preference shall be invited to match the L1 price for remaining quantity and so on, and contract shall be awarded accordingly. In case some quantity is still left uncovered on Class-I local supplier, then such balance quantity may also be ordered on the L1 bidder".

b. In the procurements of goods or works, which are covered by para 3(b) of mentioned Govt. circular and which are not divisible in nature, and in procurement of services where the bid is evaluated on price alone, the 'class-I local supplier' shall get purchase preference over 'Class-II supplier' as well as 'Non-local supplier', as per following procedure:

- i. Among all qualified bids, the lowest bid will be termed as L1. If L1 is 'Class-I local supplier', the contract will be awarded to L1.
- ii. If L1 is not 'Class-I local supplier', the lowest bidder among the 'Class-I local supplier', will be invited to match the L1 price subject to Class-I local supplier's quoted price falling

within the margin of purchase preference, and the contract shall be awarded to such 'Class-I local supplier' subject to matching the L1 price.

- iii. In case such lowest eligible 'Class-I local supplier', fails to match the L1 price, the 'Class-I local supplier' with the next higher bid within the margin of purchase preference shall be invited to match the L1 price and so on and contract shall be awarded accordingly. In case none of the 'Class-I local supplier' within the margin of purchase preference matches the L1 prices, the contract may be awarded to the L1 bidder.

c. 'Class-II local supplier' will not get purchase preference in any procurement, undertaken by procuring entities.

F. For this procurement, the local content to categorize a supplier as a Class-I local supplier/ Class-II local supplier/ Non-local supplier and purchase preference to Class-I local supplier, is as defined in Public Procurement (Preference to Make in India), Order 2017 dated 04.06.2020 issued by DPIIT. In case of subsequent orders issued by nodal ministry, changing the definition of local content for the items of the NIT, the same shall be applicable even if issued after issue of this NIT, but before opening of Part-II bids against this NIT.

G. Procurements where estimated value to be procured is less than Rs. 5 lakhs shall be exempted from GOI order No. P-45021/2/2017-PP (BE-II) dated 04.06.2020.

H. For procurement of Goods & Services which are divisible in nature, following shall be operated for **MSE bidders** under Public procurement Policy for the Micro and Small Enterprises (MSEs) Amendment Order, 2019, Ref. No. AA:SSP: MSE: Amndt, dtd. 30.11.2018, Circular No. 44 of 2018-19;-

a. If L1 bid is not from "Class-I local Supplier" and price quoted by MSE bidder falls within the margin of Purchase preference (L1+15% for MSEs), then 25 % of total order quantity of respective item (rounded off to nearest number) shall be awarded to MSE bidder, subject to MSE bidder matching the L1 Price. Out of Remaining 75% quantity, distribution shall be operated as per below sub-clause (2) –

b. If "Class- I Local Supplier" (Next to L1, other than MSE) quoted price falling within the Margin of Purchase Preference, and "Class-I local supplier" matches the L1 price,



BHARAT HEAVY ELECTRICALS LIMITED

HEEP-HARIDWAR, UTTARAKHAND (249403)

General Instructions and Standard Terms & Conditions for bidding against Tender Enquiry (GISTC)

For Indian Bidders (Version June-2021, Rev: 06)

then 50% of remaining Quantity (after allocation of 25% to MSE) i.e. 37.5% shall be awarded to local supplier and 37.5% shall be awarded to foreign bidder.

Note: L1 Price refers to lowest evaluated / landed cost to Company.

For Further details, please refer GOI order no. P-45021 / 2 / 2017 - PP (BE-II) dated 04.06.2020.

26. RESTRICTIONS UNDER RULE 144(XI) OF THE GENERAL FINANCIAL RULES (GFRs), 2017

All provisions of Order No. F.No.6/18/2019-PPD of Department of Expenditure (DoE) shall be applicable for this tender enquiry (Order copy is available at <https://doe.gov.in/procurement-policy-divisions>). Accordingly, any bidder from a country which shares a land border with India (except the countries to which the Govt. of India has extended lines of credit or in which the Govt. of India is engaged in development projects for which list is available at <https://www.mea.gov.in/>) will be eligible to bid in this tender only if the bidder is registered with the Competent Authority as specified in Annex I of the said Order of DoE.

Updated list of the countries to which lines of credit have been extended or in which development projects are undertaken are available on the Ministry of External affairs website (<https://www.mea.gov.in/>)

For the purpose of this order, definition of Bidder from a country which shares a land border with India shall be same as defined in the Annex III of the said order.

Registration with the competent authority as stipulated in the said order is responsibility of bidder. Bidder has to submit a certificate certifying following along with offer:

"I have read the clause regarding restrictions on procurement from a bidder of a country which shares a land border with India; I certify that bidder (.... Name of Bidder) is not from such a country or, if from such a country, has been registered with the Competent Authority. I hereby certify that bidder (.....Name of bidder) fulfils all requirements in this regard and is eligible to be considered"

If the bidder is from such country which shares a land border with India evidence of valid registration by the Competent Authority shall also be attached along with offer."

27. NOTE.

- a) Special conditions of enquiry, if enclosed by BHEL, will supersede the respective standard / general terms of enquiry.
- b) Any other Standard terms and Conditions of the bidder attached / referred against the tender enquiry will be treated as null and void ab initio.
- c) In order to protect the commercial interests of BHEL, it becomes necessary to take action against suppliers / contractors by way of suspension of business dealings, who either fail to perform or are in default without any reasonable cause, cause loss of business / money / reputation, indulged in malpractices, cheating, bribery, fraud or any other misconducts or formation of cartel so as to influence the bidding process or influence the price etc. Guide- lines for Suspension of Business Dealings with Suppliers / Contractors shall prevail over which is available at BHEL website <http://www.bhel.com>
- d) The bidder along with its associate / collaborators / sub-contractors / sub-vendors / consultants / service providers shall strictly adhere to BHEL Fraud Prevention Policy displayed on BHEL website <http://www.bhel.com> and shall immediately bring to the notice of BHEL-Management about any fraud or suspected fraud as soon as it comes to their notice.
- e) "BHEL shall recover the amount of compensation paid to victim(s) by BHEL towards loss of life / permanent disability due to an accident which is attributable to the negligence of contractor, agency or firm or any of its employees as detailed below;
 1. **Victim:** Any person who suffers permanent disablement or dies in an accident as defined below.
 2. **Accident:** Any death or permanent disability resulting solely and directly from any unintended and unforeseen injurious



BHARAT HEAVY ELECTRICALS LIMITED

HEEP-HARIDWAR, UTTARAKHAND (249403)

General Instructions and Standard Terms & Conditions for bidding against Tender Enquiry (GISTC)

For Indian Bidders (Version June-2021, Rev: 06)

occurrence caused during the manufacturing / operation and works incidental thereto at BHEL factories/ **offices and precincts** thereof , project execution , erection and commissioning, services, repairs and maintenance, trouble shooting, serving , overhaul, renovation and retrofitting , trial operation, performance guarantee testing undertaken by the company or during any works / during working at BHEL Units/ Offices/ townships and premises/ project sites.

3. Compensation in respect of each of the victims:

- (i) In the event of death or **permanent disability** resulting from **Loss of both limbs**: Rs. 10,00,000/- (Rs. Ten Lakh).
- (ii) In the event of **other permanent disability**: Rs. 7,00,000/- (Rs. Seven Lakh).

4. Permanent Disablement: A disablement that is classified as a permanent total disablement under the proviso to Section 2(l) of the Employees Compensation Act, 1923.”

f) The bidder shall be in compliance with applicable laws, rules and regulations throughout the terms of the contract for conducting its business generally and to perform its obligations under this contract.

INTEGRITY PACT

Between

Bharat Heavy Electricals Ltd. (BHEL), a company registered under the Companies Act 1956 and having its registered office at "BHEL House", Siri Fort, New Delhi – 110049 (India) hereinafter referred to as "The Principal", which expression unless repugnant to the context or meaning hereof shall include its successors or assigns of the ONE PART

and

_____, (description of the party along with address), hereinafter referred to as "The Bidder/ Contractor" which expression unless repugnant to the context or meaning hereof shall include its successors or assigns of the OTHER PART

Preamble

The Principal intends to award, under laid-down organizational procedures, contract/s for

_____. The Principal values full compliance with all relevant laws of the land, rules and regulations, and the principles of economic use of resources, and of fairness and transparency in its relations with its Bidder(s)/ Contractor(s).

In order to achieve these goals, the Principal will appoint Independent External Monitor(s), who will monitor the tender process and the execution of the contract for compliance with the principles mentioned above.

Section 1 – Commitments of the Principal

- 1.1 The Principal commits itself to take all measures necessary to prevent corruption and to observe the following principles:-
 - 1.1.1 No employee of the Principal, personally or through family members, will in connection with the tender for, or the execution of a contract, demand, take a promise for or accept, for self or third person, any material or immaterial benefit which the person is not legally entitled to.
 - 1.1.2 The Principal will, during the tender process treat all Bidder(s) with equity and reason. The Principal will in particular, before and during the tender process, provide to all Bidder(s) the same information and will not provide to any Bidder(s) confidential / additional information through which the Bidder(s) could obtain an advantage in relation to the tender process or the contract execution.
 - 1.1.3 The Principal will exclude from the process all known prejudiced persons.
- 1.2 If the Principal obtains information on the conduct of any of its employees which is a penal offence under the Indian Penal Code 1860 and Prevention of Corruption Act 1988 or any other statutory penal enactment, or if there be a substantive suspicion in this regard, the Principal will inform its Vigilance Office and in addition can initiate disciplinary actions.

Section 2 – Commitments of the Bidder(s)/ Contractor(s)

- 2.1 The Bidder(s)/ Contractor(s) commit himself to take all measures necessary to prevent corruption. He commits himself to observe the following principles during his participation in the tender process and during the contract execution.
 - 2.1.1 The Bidder(s)/ Contractor(s) will not, directly or through any other person or firm, offer, promise or give to the Principal or to any of the Principal's employees involved

in the tender process or the execution of the contract or to any third person any material, immaterial or any other benefit which he / she is not legally entitled to, in order to obtain in exchange any advantage of any kind whatsoever during the tender process or during the execution of the contract.

- 2.1.2 The Bidder(s)/ Contractor(s) will not enter with other Bidder(s) into any illegal or undisclosed agreement or understanding, whether formal or informal. This applies in particular to prices, specifications, certifications, subsidiary contracts, submission or non-submission of bids or any other actions to restrict competitiveness or to introduce cartelization in the bidding process.
- 2.1.3 The Bidder(s)/ Contractor(s) will not commit any penal offence under the relevant IPC/ PC Act; further the Bidder(s)/ Contractor(s) will not use improperly, for purposes of competition or personal gain, or pass on to others, any information or document provided by the Principal as part of the business relationship, regarding plans, technical proposals and business details, including information contained or transmitted electronically.
- 2.1.4 The Bidder(s)/ Contractor(s) will, when presenting his bid, disclose any and all payments he has made, and is committed to or intends to make to agents, brokers or any other intermediaries in connection with the award of the contract.
- 2.2 The Bidder(s)/ Contractor(s) will not instigate third persons to commit offences outlined above or be an accessory to such offences.

Section 3 – Disqualification from tender process and exclusion from future contracts

If the Bidder(s)/ Contractor(s), before award or during execution has committed a transgression through a violation of Section 2 above, or acts in any other manner such as to put his reliability or credibility in question, the Principal is entitled to disqualify the Bidder(s)/ Contractor(s) from the tender process or take action as per the separate "Guidelines on Banning of Business dealings with Suppliers/ Contractors". framed by the Principal.

Section 4 – Compensation for Damages

- 4.1 If the Principal has disqualified the Bidder from the tender process prior to the award according to Section 3, the Principal is entitled to demand and recover the damages equivalent Earnest Money Deposit/Bid Security.
- 4.2 If the Principal has terminated the contract according to Section 3, or if the Principal is entitled to terminate the contract according to section 3, the Principal shall be entitled to demand and recover from the Contractor liquidated damages equivalent to 5% of the contract value or the amount equivalent to Security Deposit/Performance Bank Guarantee, whichever is higher.

Section 5 – Previous Transgression

- 5.1 The Bidder declares that no previous transgressions occurred in the last 3 years with any other company in any country conforming to the anti-corruption approach or with any other Public Sector Enterprise in India that could justify his exclusion from the tender process.
- 5.2 If the Bidder makes incorrect statement on this subject, he can be disqualified from the tender process or the contract, if already awarded, can be terminated for such reason.

Section 6 – Equal treatment of all Bidders/ Contractors/ Sub-contractors

- 6.1 The Bidder(s)/ Contractor(s) undertake(s) to obtain from all subcontractors a commitment consistent with this Integrity Pact and report Compliance to the Principal. This commitment shall be taken only from those sub-contractors whose contract value is more than 20 % of Bidder's/ Contractor's contract value with the Principal. The Bidder(s)/ Contractor(s) shall continue to remain responsible for any default by his Sub-contractor(s).
- 6.2 The Principal will enter into agreements with identical conditions as this one with all Bidders and Contractors.
- 6.3 The Principal will disqualify from the tender process all bidders who do not sign this pact or violate its provisions.

Section 7 – Criminal Charges against violating Bidders/ Contractors /Sub-contractors

If the Principal obtains knowledge of conduct of a Bidder, Contractor or Subcontractor, or of an employee or a representative or an associate of a Bidder, Contractor or Subcontractor which constitutes corruption, or if the Principal has substantive suspicion in this regard, the Principal will inform the Vigilance Office.

Section 8 –Independent External Monitor(s)

- 8.1 The Principal appoints competent and credible Independent External Monitor for this Pact. The task of the Monitor is to review independently and objectively, whether and to what extent the parties comply with the obligations under this agreement.

- 8.2 The Monitor is not subject to instructions by the representatives of the parties and performs his functions neutrally and independently. He reports to the CMD, BHEL.
- 8.3 The Bidder(s)/ Contractor(s) accepts that the Monitor has the right to access without restriction to all contract documentation of the Principal including that provided by the Bidder(s)/ Contractor(s). The Bidder(s)/ Contractor(s) will grant the monitor, upon his request and demonstration of a valid interest, unrestricted and unconditional access to his contract documentation. The same is applicable to Sub-contractor(s). The Monitor is under contractual obligation to treat the information and documents of the Bidder(s)/ Contractor(s) / Sub-contractor(s) with confidentiality.
- 8.4 The Principal will provide to the Monitor sufficient information about all meetings among the parties related to the contract provided such meetings could have an impact on the contractual relations between the Principal and the Contractor. The parties offer to the Monitor the option to participate in such meetings.
- 8.5 As soon as the Monitor notices, or believes to notice, a violation of this agreement, he will so inform the Management of the Principal and request the Management to discontinue or take corrective action, or heal the situation, or to take other relevant action. The Monitor can in this regard submit non-binding recommendations. Beyond this, the Monitor has no right to demand from the parties that they act in a specific manner, refrain from action or tolerate action.
- 8.6 The Monitor will submit a written report to the CMD, BHEL within 8 to 10 weeks from the date of reference or intimation to him by the Principal and, should the occasion arise, submit proposals for correcting problematic situations.
- 8.7 The CMD, BHEL shall decide the compensation to be paid to the Monitor and its terms and conditions.
- 8.8 If the Monitor has reported to the CMD, BHEL, a substantiated suspicion of an offence under relevant IPC / PC Act, and the CMD, BHEL has not, within reasonable time, taken visible action to proceed against such offence or reported it to the Vigilance Office, the

Monitor may also transmit this information directly to the Central Vigilance Commissioner, Government of India.

8.9 The number of Independent External Monitor(s) shall be decided by the CMD, BHEL.

8.10 The word 'Monitor' would include both singular and plural.

Section 9 – Pact Duration

9.1 This Pact begins and shall be binding on and from the submission of bid(s) by bidder(s). It expires for the Contractor 12 months after the last payment under the respective contract and for all other Bidders 6 months after the contract has been awarded.

9.2 If any claim is made / lodged during this time, the same shall be binding and continue to be valid despite the lapse of this pact as specified as above, unless it is discharged/ determined by the CMD, BHEL.

Section 10 – Other Provisions

10.1 This agreement is subject to Indian Laws and jurisdiction shall be registered office of the Principal, i.e. New Delhi.

10.2 Changes and supplements as well as termination notices need to be made in writing. Side agreements have not been made.

10.3 If the Contractor is a partnership or a consortium, this agreement must be signed by all partners or consortium members.

10.4 Should one or several provisions of this agreement turn out to be invalid, the remainder of this agreement remains valid. In this case, the parties will strive to come to an agreement to their original intentions.

10.5 Only those bidders/ contractors who have entered into this agreement with the Principal would be competent to participate in the bidding. In other words, entering into this agreement would be a preliminary qualification.

For & On behalf of the Principal

For & On behalf of the Bidder/ Contractor

(Office Seal)

(Office Seal)

Place-----

Date-----

Witness: _____

Witness: _____

(Name & Address) _____

(Name & Address) _____

Self-certification

As per Government Public procurement order no. P-45021/2/2017-BE-II dt.15.06.2017 & P-45021/2/2017-PP(BE-II) dated 28.05.2018,29.5.2019 & 04.6.2020, it is hereby certifying that we

.....

(supplier name) are(Class-I/Class-II) local supplier and will meet the requirement of minimum local content of (50%/20%) as defined in public procurement order dated 04.6.2020 for material against Enquiry no.

.....

Details of location at which local value addition will be made is as follows: -

.....

.....

We also understand, false declarations will be in breach of the code of integrity under Rule 175(1)(i)(h) of the General Financial Rules for which a bidder or its successors can be debarred for up to two years as per Rule 151 (iii) of the general financial rules along with such other actions as may be permissible under law.

Seal & Signature of Supplier